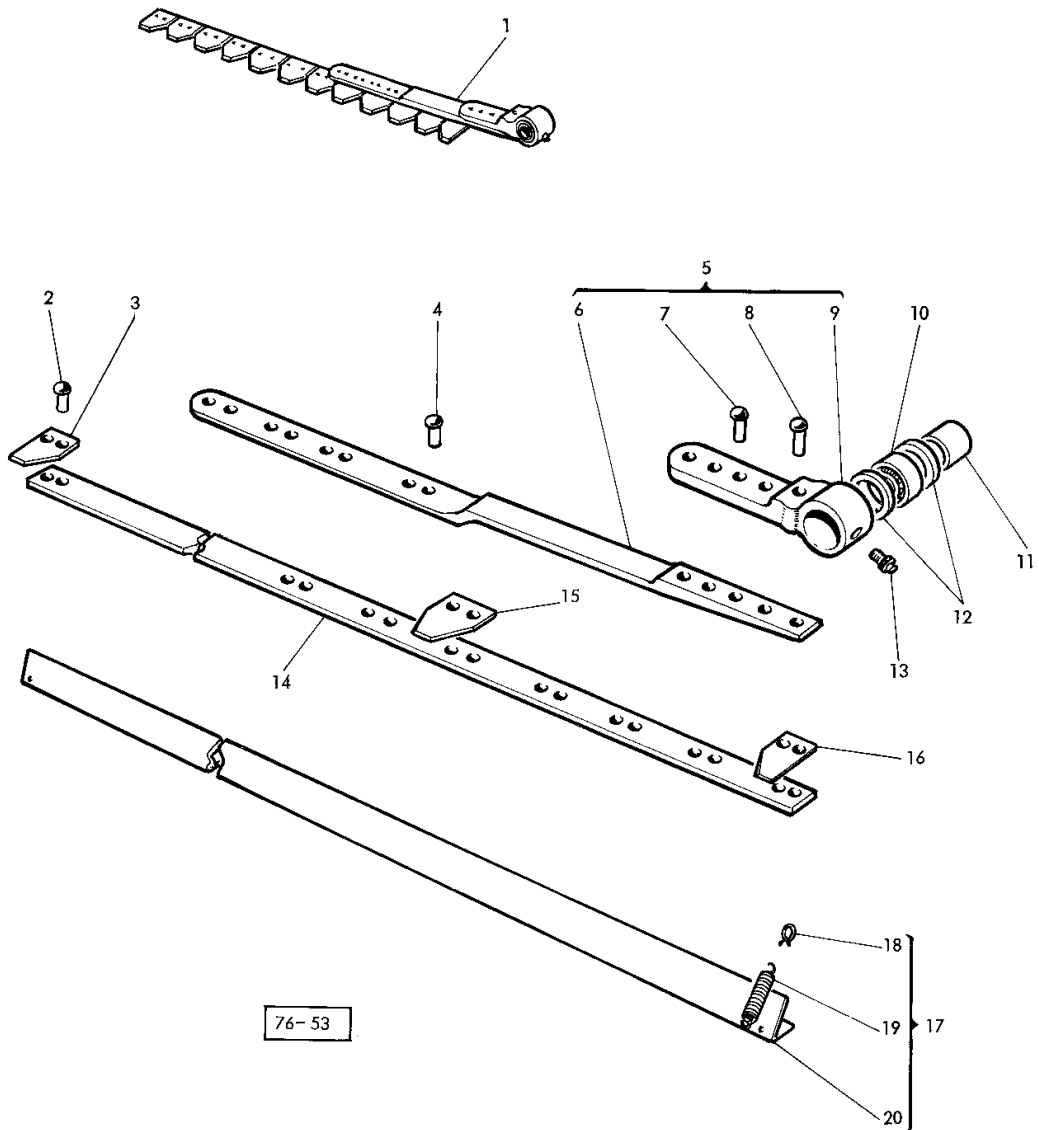




LAME
MESSER
CUCHILLA
KNIFE

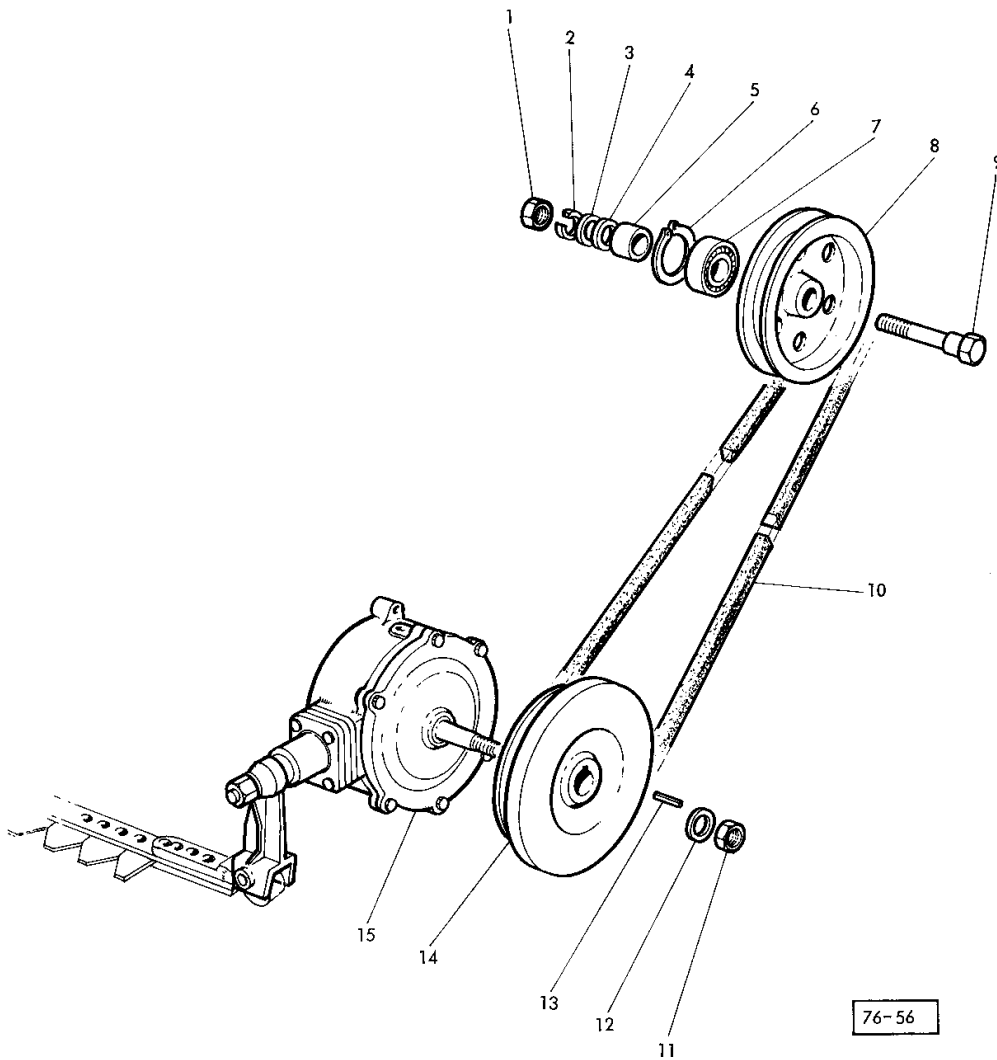


KNIFE - 10', 12', 14'

Item	Part Number	Qty	Description	Comments
				10', 12', 14'
1	785512M91	2	Knife	(10')
	785572M91	1	Knife	(10')
				(B)
	785573M91	1	Knife	(10')
				(B)
	785574M91	2	Knife	(12')
	785574M91	1	Knife	(12')
				(B)
	785575M91	1	Knife	(12')
				(B)
	785576M91	2	Knife	(14')
	785576M91	1	Knife	(14')
				(B)
	785577M91	1	Knife	(14')
				(B)
2	49598X	148	Rivet	(10')
	49598X	180	Rivet	(12')
	49598X	212	Rivet	(14')
3	790863M1	2	Section	Right Hand
	790863M1	1	Section	(B)
				Right Hand
	790861M1	1	Section	(B)
				Right Hand
4	36493X	16	Rivet	(A)
	391488X1	16	Rivet	(A)
5	911695M91	1	Knife Head	
6	785583M1	2	Spring	
7	29140X	8	Rivet	
8	29142X	2	Rivet	
9	785584M1	2	Head	
10	833083M1	2	Bearing Needle	
11	239242M1	2	Roller	
12	831225M1	4	Seal	
13	13811X	2	Grease Nipple	
14	785582M1	2	Stem	(10')
	234660M1	2	Knife Back	(12')
	234661M1	2	Knife Back	(14')
15	206236M1	78	Section	(10')
	206236M1	94	Section	(12')
	206236M1	110	Section	(14')
	206236M1	39	Section	(10')
				(B)
	206236M1	47	Section	(12')
				(B)
	206236M1	55	Section	(14')
				(B)
	210987M1	39	Section	(10')
				(B)
	210987M1	47	Section	(12')
				(B)
	210987M1	55	Section	(14')
				(B)
16	647116M1	2	Section	Left Hand
	647116M1	1	Section	Left Hand
	790860M1	1	Section	Left Hand
17	402729M91	1	Guard	(10')
	403810M91	1	Guard	(12', 14')
	411361M91	1	Guard	(14')
18	322979M1	2	Knotter Hook	
19	322980M1	2	Spring	
20		1		Not serviced, order NO. 17
				(A)
				ALTERNATIVE
				(B)
				GERMANY

3A

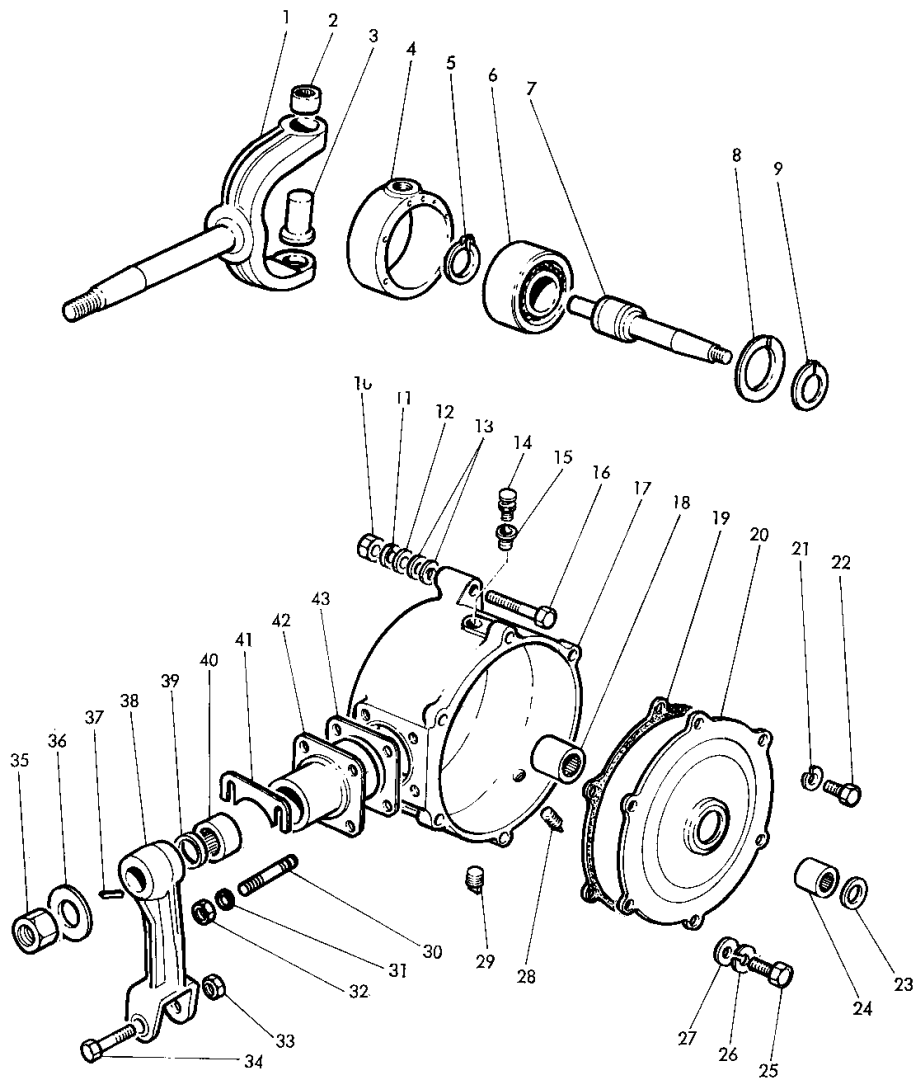
COMMANDE DE LAME
MESSER ANTRIEB
MANDO DE LA BARRA DE CORTE
DRIVE ARRANGEMENT



DRIVE ARRANGEMENT

Item	Part Number	Qty	Description	Comments
1	353427X1	1	Nut Unf	
2	353433X1	1	Lock Washer	
3	353760X1	1	Flat Washers	
4	353774X1	1	Washer	
5	786039M2	1	Spacer	
6	208230M1	1	Ring	
7	22258X	1	Bearing Assy	
8	910086M1	1	Pulley	
9	227964M1	1	Bolt	
10	785585M1	1	Belt	
11	353427X1	1	Nut Unf	
12	833196M1	1	Washer	
13	10721X	1	Key	
14	617929M1	1	Pulley	
15	797248M91	1	Wobble Drive	(A) (A) SEE PAGE 5

BOITIER DE COMMANDE
MESSERANTRIEB
CAJA DE MANDO
KNIFE DRIVE HOUSING



76-66

MASSEY FERGUSON
MF 520/525 COMBINES - 1646022
KNIFE DRIVE HOUSING - 797248M91

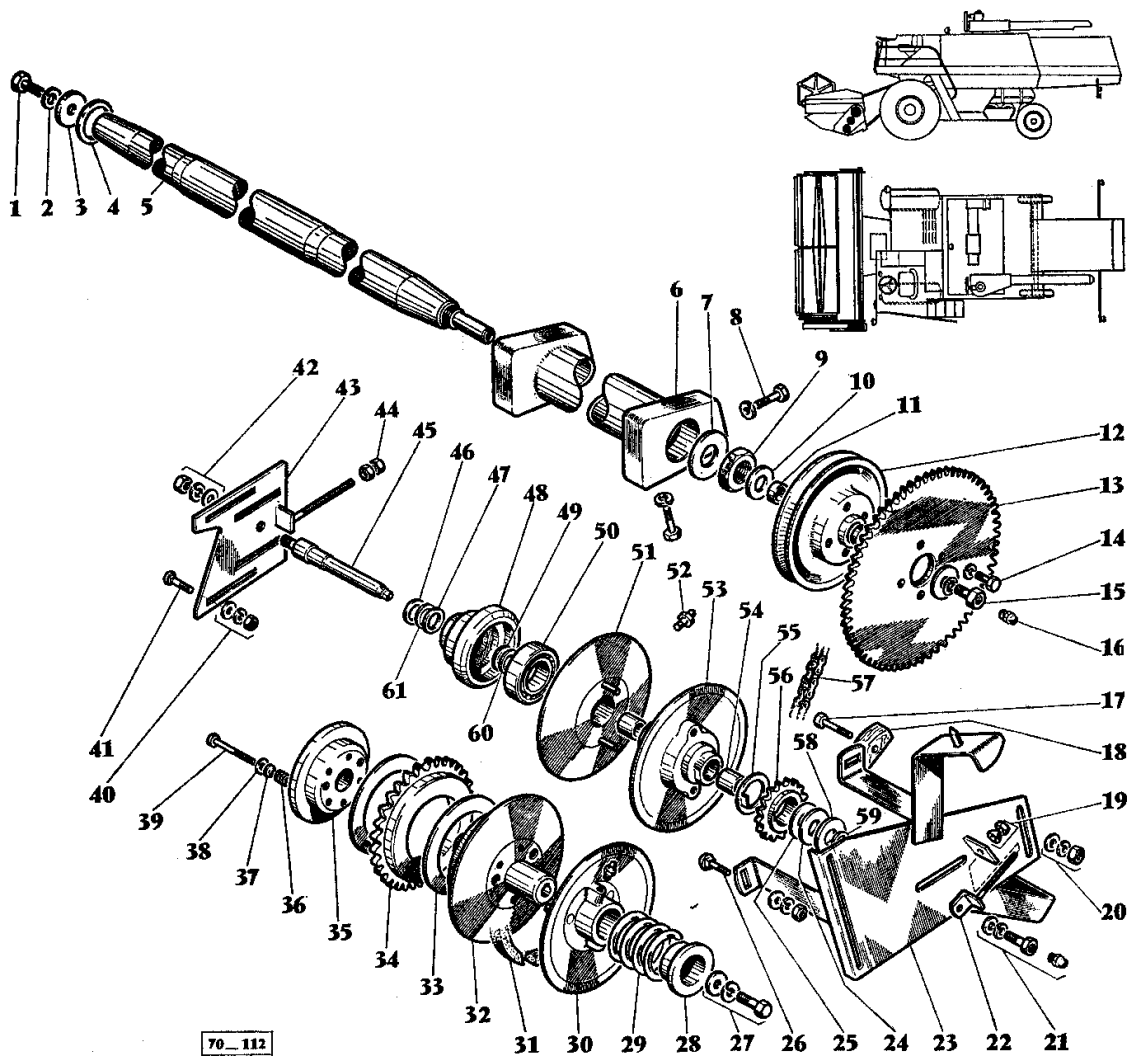
1646022

4

Item	Part Number	Qty	Description	Comments
				797248M91
1	261606M1	1	Yoke	
2	832879M1	2	Bearing	
3	249149M1	2	Pin	
4	249148M1	1	Housing	
5	364553X1	1	Ring	
6	833309M1	1	Bearing	
7	239598M2	1	Shaft	
8	367504X1	1	Ring	
9	364553X1	1	Ring	
10	353426X1	2	Nut Unf	
11	353432X1	2	Lock Washer	
12	196107M1	2	Washer	
13	355620X1	X	Washer	
	361096X1	X	Washer	
14	182099M91	1	Breather	
15	362007X1	1	Reducer	
16	353571X1	2	Bolt Unf	
17	236566M1	1	Housing	
18	843283M1	1	Bearing	
19	236567M1	1	Gasket	
20	236568M1	1	Cover	
21	353446X1	4	Lock Washer	
22	353678X1	4	Screw Unc	
23	831135M1	2	Seal	
24	843282M1	1	Bearing	
25	353679X1	2	Screw Unc	
26	353446X1	2	Lock Washer	
27	353755X1	2	Washer	
28	375181X1	2	Plug	
29	1855590M91	1	Plug	
30	357133X1	4	Stud	
31	609930M1	4	Washer	
32	353426X1	4	Nut Unf	
33	357561X1	1	Nut Unf	
34	238499M1	1	Bolt	
35	355646X1	1	Nut Unf	
36	239497M1	1	Washer	
37	49378X	1	Key	
38	239160M2	1	Arm	
39	834782M1	2	Seal	
40	833346M1	2	Bearing	
41	785613M1	X	Spacer	
42	1855237M2	1	Housing	
43	236579M1	1	Gasket	

ARBRE AR DE RABATTEUR - VARIATEUR
 HASPELANTRIEB
 POLEAS DEL MANDO DEL MOLINETE
 REAR SHAFT - VARIATOR

7



MASSEY FERGUSON

MF 520/525 COMBINES - 1646022

1646022

REAR SHAFT - VARIATOR - 3 M - 10', 3,20 M - 12', 4,20 M - 14'

7

Item	Part Number	Qty	Description	Comments
				3 M - 10', 3,20 M - 12', 4,20 M - 14'
1	354751X1	1	Screw Unf	
2	353440X1	1	Lock Washer	
3	911887M1	1	Washer	
4	785897M1	X	Spacer	
5	911884M92	1	Shaft	(3 M - 10')
	911885M92	1	Shaft	(3,20 M - 12')
	911886M92	1	Shaft	(4,20 M - 14')
6	785911M1	2	Bearing	
7	911536M1	1	Washer	
8	353518X1	12	Screw Unf	
	353446X1	12	Lock Washer	
9	911537M1	1	Nut	
10	785900M1	1	Washer	
11	785752M1	2	Bearing	
12	789197M91	1	Pulley	INCL. REF. 11
13	785901M1	1	Sprocket	(A) Number of teeth/spines 40 Number of teeth/spines 69
	785902M1	1	Sprocket	
14	353691X1	4	Screw Unc	
	353434X1	4	Lock Washer	
15	791122M1	1	Bolt	
	359405X1	1	Washer	
	786446M1	1	Washer	
16	13811X	1	Grease Nipple	
17	353543X1	1	Bolt Unf	
18	785844M1	1	Tightener	
19	787075M1	1	Washer	
	375109X1	2	Nut Unc	
20	353756X1	1	Washer	
	353434X1	1	Lock Washer	
	353430X1	1	Nut Unf	
21	783707M1	1	Screw	
	783708M1	1	Washer	
	353439X1	1	Lock Washer	
22	783700M91	1	Bracket	
23	913864M91	1	Bearer	
24	787594M1	1	Washer	
25	787595M1	1	Washer	
26	353794X1	2	Bolt Unf	
	353755X1	2	Washer	
	353446X1	2	Lock Washer	
	353916X1	2	Nut Unf	
27	353614X1	1	Screw Unf	
	353760X1	1	Flat Washers	
	353433X1	1	Lock Washer	
28	788706M2	1	Flange	
29	913455M1	1	Spring	
	913456M1	1	Spring	
30	785894M95	1	Pulley	
	13811X	1	Grease Nipple	
31	789853M1	1	Belt	
32	785893M3	1	Pulley	
33	790844M2	2	Washer	
34	785890M1	1	Sprocket	Number of teeth/spines 41
35	794504M91	1	Disc	
36	215873M1	5	Spring	
37	790845M1	5	Guide	
38	353756X1	5	Washer	
39	911508M1	5	Screw	
40	353755X1	4	Washer	
	353446X1	4	Lock Washer	
	353916X1	4	Nut Unf	
41	353794X1	4	Bolt Unf	
42	353776X1	1	Washer	
	359407X1	1	Washer	
	353920X1	1	Nut Unf	
43	785852M91	1	Plate	
44	375109X1	2	Nut Unc	
45	783684M1	1	Shaft	

MASSEY FERGUSON**MF 520/525 COMBINES - 1646022**

1646022

REAR SHAFT - VARIATOR - 3 M - 10', 3,20 M - 12', 4,20 M - 14'

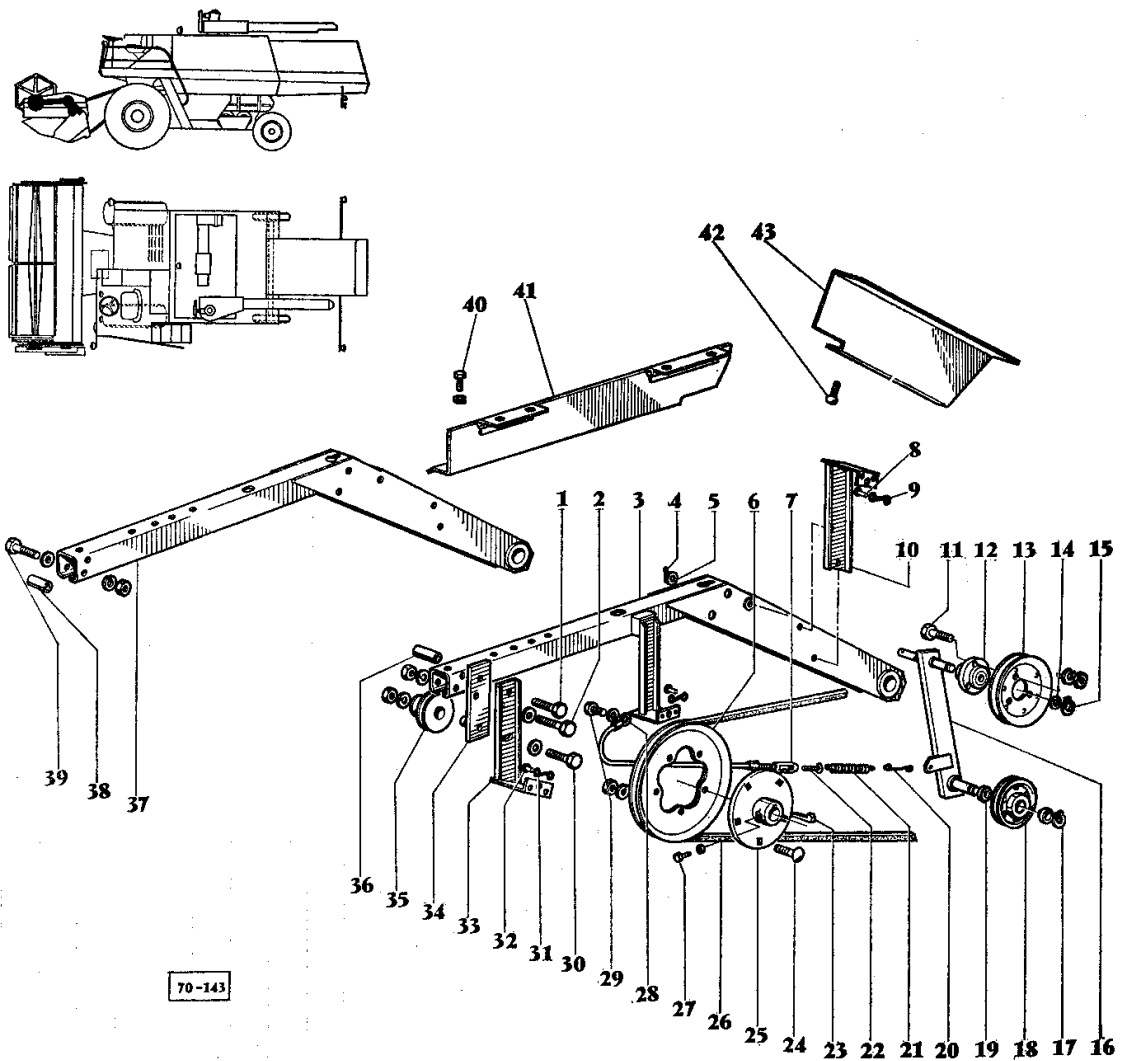
7

Item	Part Number	Qty	Description	Comments
46	785886M1	1	Seal	
47	359306X1	1	O Ring	
48	782630M2	1	Housing	
49	359300X1	1	O Ring	
50	785885M1	1	Bearing	
51	785882M92	1	Pulley	INCL. 789466M1
	789446M1	2	Retainer	
52	13811X	1	Grease Nipple	
53	783852M91	1	Pulley	INCL. REF. 54
54	785907M1	2	Bush	
55	789227M1	1	Washer	
56	789228M1	1	Sprocket	Number of teeth/spines 15
57	785843M91	1	Chain	
58	783800M1	1	Bearing Assy	
59	783801M1	1	Washer	
60	195920M1	1	Washer	
61	361171X1	1	Washer	

(A)
HIGH SPEED

BRAS DE RABATTEUR
 HASPELTRAGARME UND KEILRIEMENSCHLEIBE
 BRAZOS DEL LEVANTE DE MOLINETE Y POLEA
 REEL LIFT ARMS AND PULLEYS

11



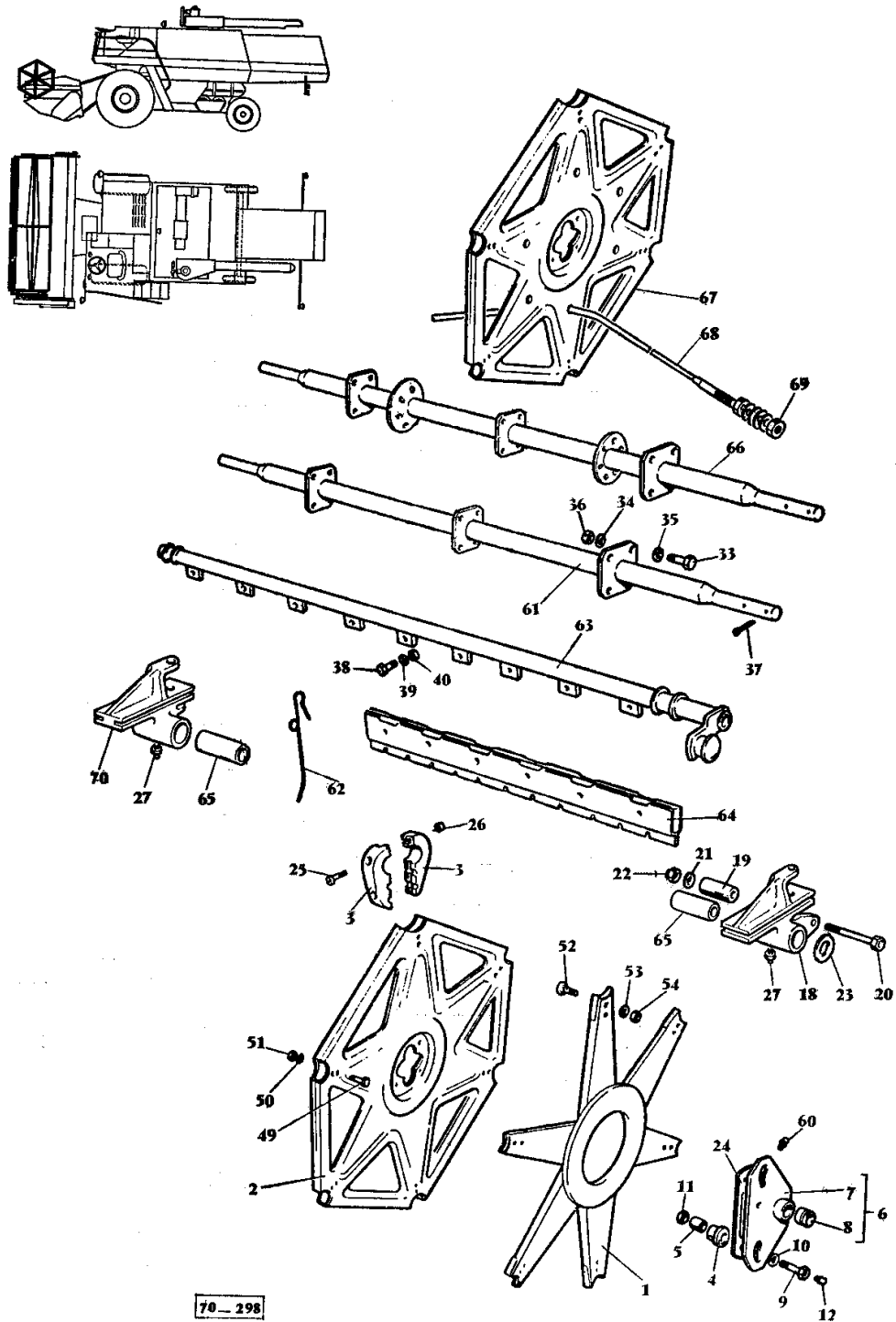
REEL LIFT ARMS AND PULLEY

Item	Part Number	Qty	Description	Comments
1	354497X1	1	Bolt Unf	
	353446X1	1	Lock Washer	
	353916X1	1	Nut Unf	
2	354497X1	1	Bolt Unf	
	353446X1	1	Lock Washer	
	353755X1	1	Washer	
	353916X1	1	Nut Unf	
3	606765M94	1	Arm	Left Hand INCL. REF. 3
	785817M1	2	Bush	
	785601M1	1	Spring	
	16861X	2	Rivet	(A)
	16862X	2	Rivet	(A)
4	354070X1	1	Pin	
5	353762X1	1	Washer	
6	789207M91	1	Pulley	
7	913572M1	1	Tensioner	
8	785601M1	1	Spring	
9	16861X	2	Rivet	(A)
	16862X	2	Rivet	(A)
10	606769M91	1	Bearer	
	785906M1	2	Screw	
11	353519X1	3	Screw Unf	
	353446X1	3	Lock Washer	
	353916X1	3	Nut Unf	
12	913570M91	1	Hub	INCL. REF. 12
	785880M1	1	Bearing	
13	210630M11	1	Pulley	
14	785881M1	2	Washer	
15	22042X1	1	Circlip	
16	913550M91	1	Arm	
17	352438X1	1	Circlip	
18	913883M91	1	Pulley	
19	785875M1	2	Washer	
20	1615560M1	1	Hook	
21	789221M1	1	Spring	
22	913573M1	1	Bolt	
23	MP1153	1	Key Door	
24	353807X1	5	Screw Unf	
	353434X1	5	Lock Washer	
	353431X1	5	Nut Unf	
25	913880M1	1	Hub	
26	1615962M1	1	Belt	
27	355204X1	1	Screw Unc	
28	913571M1	1	Cable	
29	353507X1	1	Bolt Unf	
	353441X1	1	Lock Washer	
	353918X1	1	Nut Unf	
30	353511X1	1	Bolt Unf	
	363332X1	1	Washer	
	375233X1	1	Washer	
	353441X1	1	Lock Washer	
	353918X1	1	Nut Unf	
31	785601M1	1	Spring	
32	16861X	2	Rivet	(A)
	16862X	2	Rivet	(A)
33	606788M91	1	Bearer	INCL. NO. 31,32
34	913738M91	1	Support	
35	913568M1	1	Pulley	
36	B2368	1	Spacer	
37	913539M95	1	Arm	Right Hand
38	B2368	1	Spacer	
39	353533X1	1	Bolt Unf	
	353446X1	1	Lock Washer	
	353916X1	1	Nut Unf	
40	353515X1	7	Screw Unf	
	353446X1	7	Lock Washer	
41	606762M92	1	Cowl	
42	785906M1	3	Screw	
43	606764M1	1	Cowl	

REEL LIFT ARMS AND PULLEY

Item	Part Number	Qty	Description	Comments
				(A) ALTERNATIVE

RABATTEUR PICK-UP
 PICK-UP HASPEL
 MOLINETE PICK-UP
 PICK-UP REEL



70 - 298

MASSEY FERGUSON

MF 520/525 COMBINES - 1646022

1646022

PICK UP REEL - 3 M - 10', 3,60 M - 12', 4,20 M - 14'

15

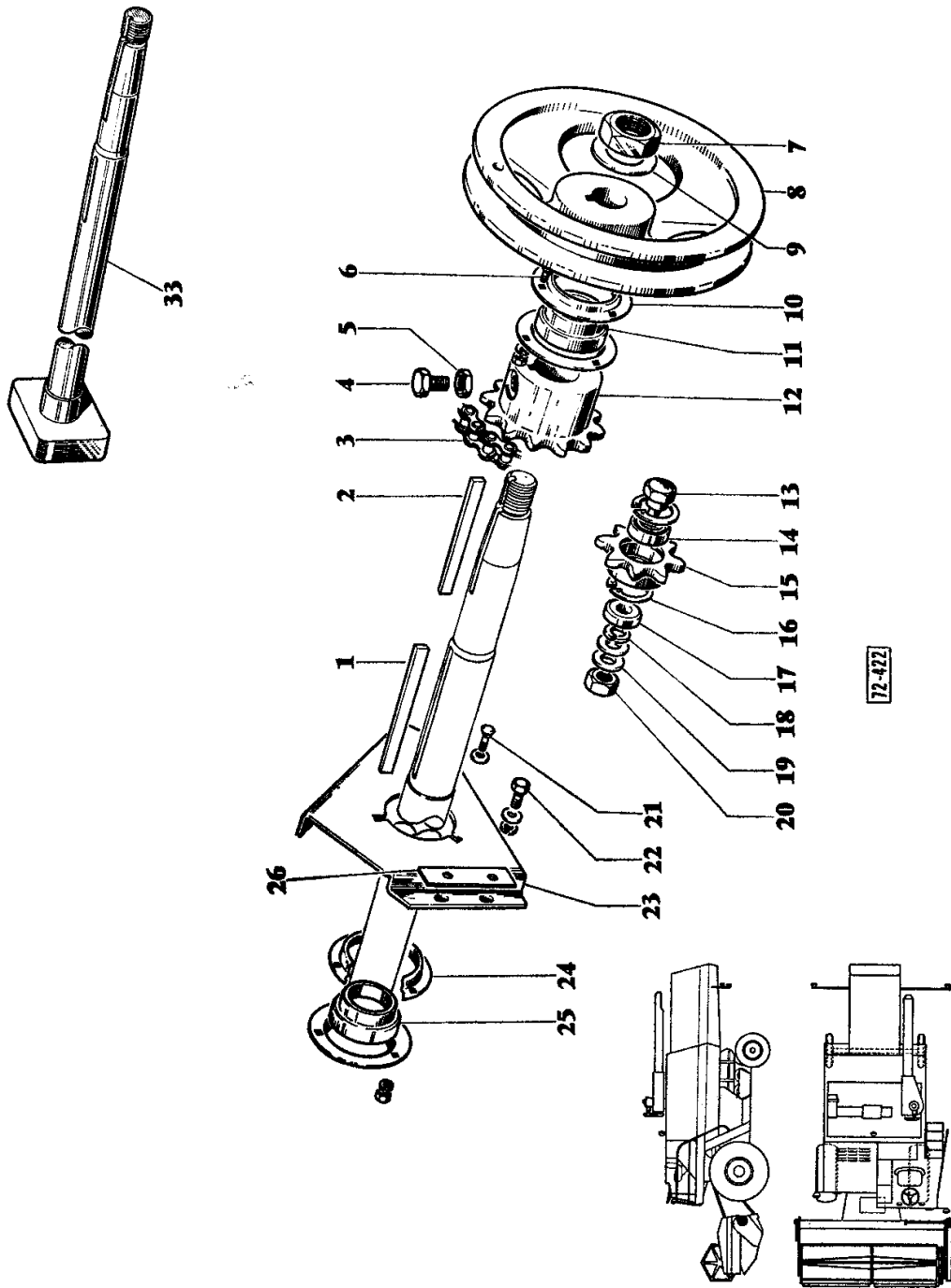
Item	Part Number	Qty	Description	Comments
	913472M97	1	Reel	3 M - 10', 3,60 M - 12', 4,20 M - 14' (3 M - 10')
	913473M97	1	Reel	INCL. REF. 1 TO 70 (3,60 M - 12')
	913474M97	1	Reel	INCL. REF. 1 TO 70 (4,20 M - 14')
1	793682M92	1	Head	INCL. REF. 1 TO 70
2	793686M91	3	Disc	(3 M - 10', 3,60 M - 12')
2	793686M91	2	Disc	(4,20 M - 14')
3	911692M1	48	Bearing	
4	913480M2	2	Roller	
5	913482M2	2	Spacer	
6	913909M92	1	Plate	INCL. REF. 7, 8
7		1	Plate	Not serviced, order NO. 6
8	793694M1	1	Bearing	
9	913481M1	2	Bolt	
10	353774X1	4	Washer	
11	1850455M1	2	Nut	
12	850778M1	2	Nipple	
18	619909M91	1	Bearing Carrier	INCL. REF. 27, 65 Right Hand
19	913496M1	1	Spacer	
20	353573X1	1	Bolt Unf	
21	353757X1	2	Washer	
22	376760X1	1	Nut	
23	637421M1	4	Washer	
24	793708M1	1	Strap	
25	355126X1	48	Screw Unc	
26	354120X1	48	Nut	
	22427X	48	Lock Washer	
27	13811X	1	Grease Nipple	
33	353561X1	12	Screw Unf	
34	353432X1	12	Lock Washer	
35	355620X1	12	Washer	
36	353426X1	12	Nut Unf	
37	354095X1	4	Pin	
38	353521X1	36	Bolt Unf	
39	353446X1	36	Lock Washer	
40	353916X1	36	Nut Unf	
49	353521X1	36	Bolt Unf	(3 M - 10', 3,60 M - 12')
49	353521X1	48	Bolt Unf	(4,20 M - 14')
50	353446X1	36	Lock Washer	(3 M - 10', 3,60 M - 12')
50	353446X1	48	Lock Washer	(4,20 M - 14')
51	353916X1	36	Nut Unf	(3 M - 10', 3,60 M - 12')
51	353916X1	48	Nut Unf	(4,20 M - 14')
52	376444X1	12	Bolt Unf	
53	353446X1	12	Lock Washer	
54	353916X1	12	Nut Unf	
60	338440X1	1	Nipple	
61	913475M92	1	Shaft	(3 M - 10')
	913476M92	1	Shaft	(3,60 M - 12')
62	914978M1	156	Reel Tine	(3 M - 10')
	914978M1	180	Reel Tine	(3,60 M - 12')
	914978M1	216	Reel Tine	(4,20 M - 14')
63	913483M92	6	Bar	(3 M - 10')
	913484M92	6	Bar	(3,60 M - 12')
	913485M92	6	Bar	(4,20 M - 14')
64	913490M92	12	Slat	(3 M - 10')
	913491M92	12	Slat	(3,60 M - 12')
	913492M92	12	Slat	(4,20 M - 14')
65	640125M1	2	Bearing	
66	913477M92	1	Shaft	(4,20 M - 14')
67	787062M91	1	Spider	(4,20 M - 14')
68	911079M1	6	Arm	(4,20 M - 14')
69	353772X1	24	Washer	(4,20 M - 14')

MASSEY FERGUSON**MF 520/525 COMBINES - 1646022****1646022****PICK UP REEL - 3 M - 10', 3,60 M - 12', 4,20 M - 14'****15**

Item	Part Number	Qty	Description	Comments
	353432X1	24	Lock Washer	(4,20 M - 14')
	353426X1	24	Nut Unf	(4,20 M - 14')
70	914396M91	1	Bearing Carrier	Left Hand INCL. REF. 27, 65

16

ARBRE DE COMMANDE - VIS DE TABLE
 ANTRIEBSWELLE UND FRONTSCHNECKENANTRIEB
 EJE DE MANDO Y MANDO DEL SINFIN
 DRIVES SHAFT AND AUGER DRIVE



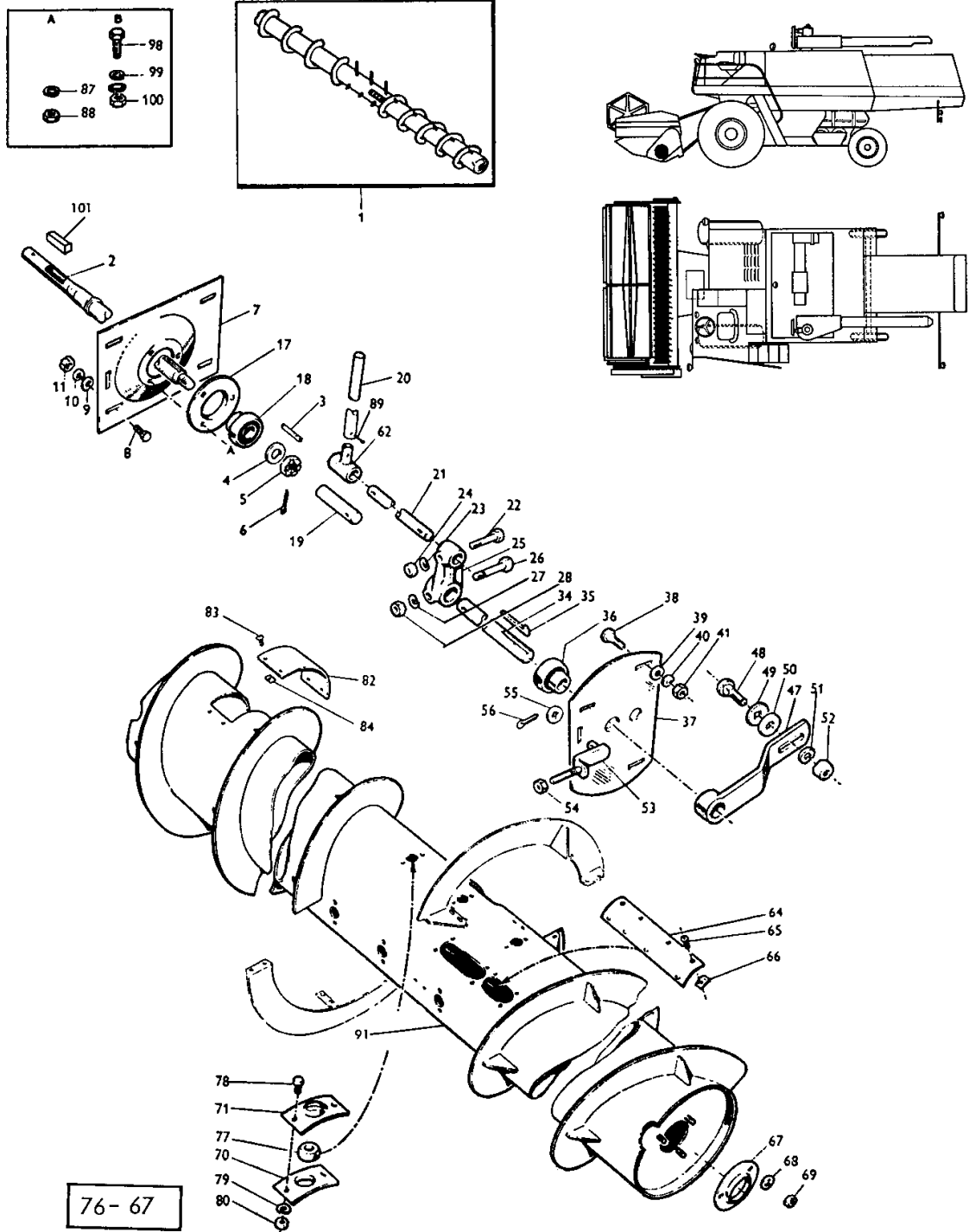
MASSEY FERGUSON**MF 520/525 COMBINES - 1646022**

1646022

DRIVES SHAFT AND AUGER DRIVE - 3 M - 10', 3,60 M - 12', 4,20 M - 14'**16**

Item	Part Number	Qty	Description	Comments
				3 M - 10', 3,60 M - 12', 4,20 M - 14'
1	911523M1	1	Key	
2	911522M1	1	Key	
3	785617M91	1	Chain	
4	355208X1	2	Screw Unc	
5	375110X1	2	Nut Unc	
6	353807X1	3	Screw Unf	
	353434X1	3	Lock Washer	
	353431X1	3	Nut Unf	
7	353920X1	1	Nut Unf	
8	785618M1	1	Pulley	
9	228660M1	1	Washer	
10	22691X	2	Flange	
11	831929M1	1	Bearing Assy	
12	785616M1	1	Sprocket	Number of teeth/spines 15
13	791133M1	1	Stud	
14	339032X1	1	Bearing	
15	226634M1	1	Sprocket	Number of teeth/spines 14
16	355602X1	2	Circlip	
17	228571M1	1	Spacer	
18	353432X1	1	Lock Washer	
19	353757X1	X	Washer	
20	226797M1	1	Nut	
21	353807X1	3	Screw Unf	
	353756X1	3	Washer	
	353434X1	3	Lock Washer	
	353431X1	3	Nut Unf	
22	353538X1	2	Screw Unf	
	353434X1	2	Lock Washer	
	353756X1	2	Washer	
23	785614M92	1	Bracket	
24	791385M1	2	Flange	
25	791386M1	1	Bearing	
26	787922M1	1	Plate	
33	913563M1	1	Shaft	(3 M - 10')
	913564M1	1	Shaft	(3,60 M - 12')
	913565M1	1	Shaft	(4,20 M - 14')

VIS D'ALIMENTATION
 FRONTSCHNECKE
 SINFIN DE LA PLATFORMA
 TABLE AUGER



MASSEY FERGUSON

MF 520/525 COMBINES - 1646022

1646022

19

TABLE AUGER - 3 M - 10', 3,60 M - 12', 4,20 M - 14'

Item	Part Number	Qty	Description	Comments
1	913578M91	1	Auger	3 M - 10', 3,60 M - 12', 4,20 M - 14' (3 M - 10')
	911979M91	1	Screw	INCL. REF. 2 TO 89 (3,60 M - 12')
	911980M91	1	Screw	INCL. REF. 2 TO 89 (4,20 M - 14')
2	783008M1	1	Shaft	INCL. REF. 2 TO 89
3	MP1397	1	Key Door	
4	353763X1	1	Washer	
5	353929X1	1	Nut Unf	
6	354071X1	1	Pin	
7	785943M91	1	Plate	Left Hand
8	353792X1	4	Bolt Unf	
9	376818X1	4	Washer	
10	353446X1	4	Lock Washer	
11	353916X1	4	Nut Unf	
17	791385M1	1	Flange	
	794616M1	1	Flange	
18	783051M1	1	Bearing	
19	911973M1	1	Shaft	Left Hand
20	794790M1	13	Finger	
21	911977M1	1	Shaft	
22	361508X1	2	Bolt	
23	353434X1	2	Lock Washer	
24	363623X1	2	Nut	
25	911970M1	2	Crank	
26	361589X1	2	Bolt	
27	353439X1	2	Lock Washer	
28	363627X1	2	Nut	
34	913586M1	1	Shaft	(3 M - 10') Right Hand
	911975M1	1	Shaft	(3,60 M - 12') Right Hand
	911976M1	1	Shaft	(4,20 M - 14') Right Hand
35	MP1101	1	Key Door	
36	353134X1	3	Bearing Assy	
37	785945M1	1	Plate	Right Hand
38	353792X1	4	Bolt Unf	
39	376818X1	4	Washer	
40	353446X1	4	Lock Washer	
41	353916X1	4	Nut Unf	
47	226631M91	1	Arm	
48	353827X1	1	Bolt Unf	
49	19691X	2	Washer	
50	353757X1	1	Washer	
51	353432X1	1	Lock Washer	
52	353426X1	1	Nut Unf	
53	791220M91	2	Bolt	
54	353916X1	4	Nut Unf	
55	10986X	2	Washer	
56	354057X1	2	Pin	
62	796562M1	13	Holder	
64	796604M1	4	Cover	
65	355862X1	16	Screw	
66	355861X1	16	Nut	
67	22691X	6	Flange	
68	353434X1	9	Lock Washer	
69	355566X1	9	Nut Unc	
70	219439M2	13	Flange	
71	219440M3	13	Socket	
77	785455M1	13	Ball	
78	353502X1	26	Screw Unf	
79	353441X1	26	Lock Washer	
80	353918X1	26	Nut Unf	
82	792462M1	1	Cover	
83	355862X1	4	Screw	
84	355861X1	4	Nut	
87	353434X1	3	Lock Washer	

MASSEY FERGUSON**MF 520/525 COMBINES - 1646022**

1646022

19

TABLE AUGER - 3 M - 10', 3,60 M - 12', 4,20 M - 14'

Item	Part Number	Qty	Description	Comments
88	355566X1	3	Nut Unc	
89	363792X1	13	Pin	
91	913580M91	1	Auger	(3 M - 10')
	911989M91	1	Auger	(3,60 M - 12')
	913433M91	1	Screw	(4,20 M - 14')
98	353516X1	8	Screw Unf	
99	353446X1	8	Lock Washer	
	353755X1	8	Washer	
100	353916X1	8	Nut Unf	
101	785668M1	1	Key Door	

TABLE
TISCH
PLATFORMA DELANTERA
TABLE

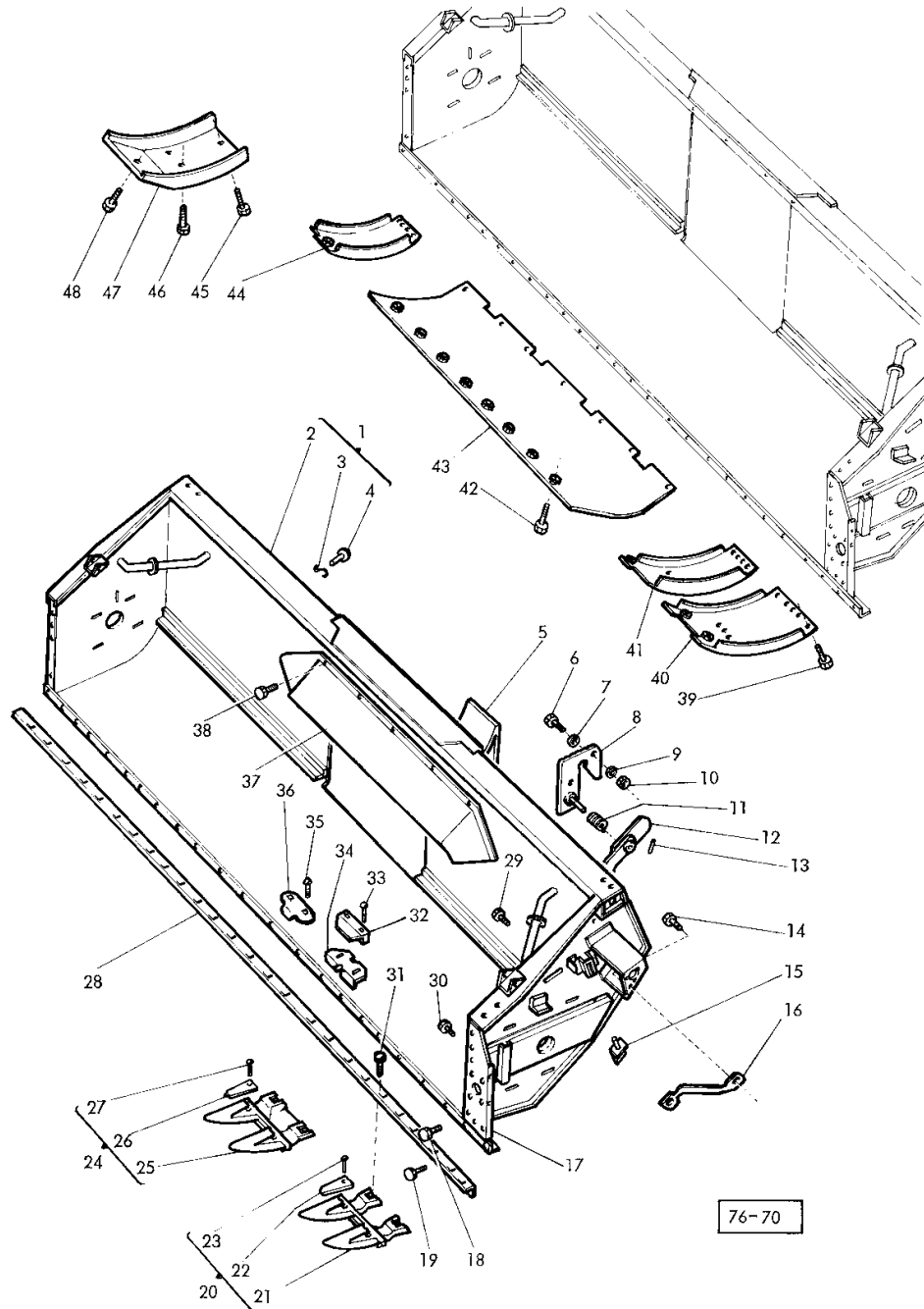


TABLE - 10', 12', 14'

Item	Part Number	Qty	Description	Comments
				10', 12', 14'
1	913681M97	1	Table	(10')
	913684M97	1	Table	(10') (A)
	913682M97	1	Table	(12')
	913685M97	1	Table	(12') (A)
	913683M97	1	Table	(14')
	913686M97	1	Table	(14') (A)
2		1		Not serviced, order NO. 1
3	786359M1	1	Spring	
4	29090X	2	Rivet	
5	913698M91	1	Kit, Extension	(C)
	262511M91	1	Extension	(C)
	353675X1	2	Screw Unc	(C)
	353446X1	2	Lock Washer	(C)
	353755X1	2	Washer	(C)
6	353597X1	4	Bolt Unf	
7	353758X1	4	Washer	
8	787974M91	1	Plate	Left Hand
	787975M91	1	Plate	Right Hand
9	353439X1	4	Lock Washer	
10	353437X1	4	Nut Unf	
11	913672M1	1	Spring	Left Hand
	913671M1	1	Spring	Right Hand
12	913743M91	1	Lever	Left Hand
	913744M91	1	Lever	Right Hand
13	357633X1	2	Pin	
14	353539X1	1	Screw Unf	
	353434X1	1	Lock Washer	
	353431X1	1	Nut Unf	
15	911694M93	1	Bracket	
	353756X1	1	Washer	
	353434X1	1	Lock Washer	
	353430X1	1	Nut Unf	
16	911932M1	1	Strut	
17	911981M93	1	Bracket	
18	353517X1	2	Screw Unf	
	376755X1	2	Washer	
	353446X1	2	Lock Washer	
	353916X1	2	Nut Unf	
19	353794X1	16	Bolt Unf	(10')
	353794X1	18	Bolt Unf	(12')
	353794X1	20	Bolt Unf	(14')
	353794X1	16	Bolt Unf	(10') (A)
	353794X1	18	Bolt Unf	(12') (A)
	353794X1	22	Bolt Unf	(14') (A)
	353446X1	16	Lock Washer	(10')
	353446X1	18	Lock Washer	(12')
	353446X1	20	Lock Washer	(14')
	353446X1	16	Lock Washer	(10') (A)
	353446X1	18	Lock Washer	(12') (A)
	353446X1	22	Lock Washer	(14') (A)
	353916X1	16	Nut Unf	(10')
	353916X1	18	Nut Unf	(12')
	353916X1	20	Nut Unf	(14')
	353916X1	16	Nut Unf	(10') (A)
	353916X1	18	Nut Unf	(12') (A)
	353916X1	22	Nut Unf	(14') (A)
20	1603376M91	1	Finger	
21		1		Not serviced, order NO. 20
22	789351M1	2	Plate	
23	1442830X1	2	Rivet	
24	609993M91	19	Finger	(10')
	609993M91	23	Finger	(12')
	609993M91	27	Finger	(14')
25		19		Not serviced, order NO. 24
		23		Not serviced, order NO. 24
		27		Not serviced, order NO. 24
26	789351M1	38	Plate	(10')
	789351M1	46	Plate	(12')
	789351M1	54	Plate	(14')

TABLE - 10', 12', 14'

Item	Part Number	Qty	Description	Comments
27	1442830X1	38	Rivet	(10')
27	1442830X1	46	Rivet	(12')
27	1442830X1	54	Rivet	(14')
28	786508M1	1	Bar	(10')
	1615159M1	1	Bar	(10') (A)
	786509M1	1	Bar	(12')
	1615160M1	1	Bar	(12') (A)
	786510M1	1	Bar	(14')
	1615161M1	1	Bar	(14') (A)
29	353794X1	1	Bolt Unf	
	353618X1	1	Bolt Unf	
	353446X1	1	Lock Washer	
	353916X1	1	Nut Unf	
30	353807X1	1	Screw Unf	
	353434X1	1	Lock Washer	
	353431X1	1	Nut Unf	
31	353810X1	22	Bolt Unf	(10')
	353810X1	26	Bolt Unf	(12')
	353810X1	30	Bolt Unf	(14')
	353810X1	22	Bolt Unf	(10') (A)
	353810X1	34	Bolt Unf	(12') (A)
	353810X1	30	Bolt Unf	(14') (A)
	353771X1	22	Washer	(10')
	353771X1	26	Washer	(12')
	353771X1	30	Washer	(14')
	353771X1	22	Washer	(10') (A)
	353771X1	34	Washer	(12') (A)
	353771X1	30	Washer	(14') (A)
	353431X1	22	Nut Unf	(10')
	353431X1	26	Nut Unf	(12')
	353431X1	30	Nut Unf	(14')
	353431X1	22	Nut Unf	(10') (A)
	353431X1	34	Nut Unf	(12') (A)
	353431X1	30	Nut Unf	(14') (A)
32	786506M1	1	Clip	
33	353815X1	2	Bolt Unf	
	353771X1	2	Washer	
	353431X1	2	Nut Unf	
34	206196M1	9	Guide	(10')
34	206196M1	11	Guide	(12')
34	206196M1	13	Guide	(14')
	206196M1	7	Guide	(10') (A)
	206196M1	15	Guide	(12') (A)
	206196M1	13	Guide	(14') (A)
35	353813X1	16	Bolt Unf	(10')
35	353813X1	20	Bolt Unf	(12')
35	353813X1	24	Bolt Unf	(14')
	353771X1	16	Washer	(10')
	353771X1	20	Washer	(12')
	353771X1	24	Washer	(14')
	353431X1	16	Nut Unf	(10')
	353431X1	20	Nut Unf	(12')
	353431X1	24	Nut Unf	(14')
36	206195M1	8	Clip	(10')
36	206195M1	10	Clip	(12')
36	206195M1	12	Clip	(14')
37	786381M91	1	Deflector	
38	359998X1	7	Bolt Unf	
	353446X1	11	Lock Washer	
	353916X1	7	Nut Unf	
	353516X1	4	Screw Unf	
39	353559X1	11	Screw Unf	
	353559X1	11	Screw Unf	(10') (B)
	353559X1	13	Screw Unf	(12') (B)
	353559X1	17	Screw Unf	(14') (B)
	353432X1	11	Lock Washer	(10', 12')
	353432X1	13	Lock Washer	(14')
	353432X1	11	Lock Washer	(10') (B)
	353432X1	13	Lock Washer	(12') (B)
	353432X1	17	Lock Washer	(14') (B)

TABLE - 10', 12', 14'

Item	Part Number	Qty	Description	Comments
40	787102M92	2	Plate	(14')
41	786547M92	1	Plate	(10', 12') Left Hand
	786391M91	1	Plate	(10') (B) Left Hand
	786395M91	1	Plate	(12') (B) Left Hand
	786400M91	1	Plate	(14') (B) Left Hand
42	793190M1	15	Bolt	(10', 12')
42	793190M1	17	Bolt	(14')
	793190M1	17	Bolt	(10') (B)
	793190M1	21	Bolt	(12') (B)
	793190M1	23	Bolt	(14') (B)
	353432X1	15	Lock Washer	(10', 12')
	353432X1	17	Lock Washer	(14')
	353432X1	17	Lock Washer	(10') (B)
	353432X1	21	Lock Washer	(12') (B)
	353432X1	23	Lock Washer	(14') (B)
43	786386M91	1	Plate	
44	786549M92	1	Plate	(10', 12') Right Hand
	786392M91	1	Plate	(10') (B) Right Hand
	786396M91	1	Plate	(12') (B) Right Hand
	786399M91	1	Plate	(14') (B) Right Hand
45	353567X1	7	Bolt Unf	(10') (A)
45	353567X1	9	Bolt Unf	(12') (A)
45	353567X1	11	Bolt Unf	(14') (A)
	355620X1	7	Washer	(10') (A)
	355620X1	9	Washer	(12') (A)
	355620X1	11	Washer	(14') (A)
	353432X1	7	Lock Washer	(10') (A)
	353432X1	9	Lock Washer	(12') (A)
	353432X1	11	Lock Washer	(14') (A)
46	353559X1	14	Screw Unf	(10') (A)
	353559X1	18	Screw Unf	(12') (A)
	353559X1	22	Screw Unf	(14') (A)
	353757X1	14	Washer	(10') (A)
	353757X1	18	Washer	(12') (A)
	353757X1	22	Washer	(14') (A)
	353432X1	14	Lock Washer	(10') (A)
	353432X1	18	Lock Washer	(12') (A)
	353432X1	22	Lock Washer	(14') (A)
	353426X1	14	Nut Unf	(10') (A)
	353426X1	18	Nut Unf	(12') (A)
	353426X1	22	Nut Unf	(14') (A)
47	913510M91	7	Skid	(10') (A)
47	913510M91	9	Skid	(12') (A)
47	913510M91	11	Skid	(14') (A)
48	353560X1	7	Screw Unf	(10') (A)
48	353560X1	9	Screw Unf	(12') (A)
48	353560X1	11	Screw Unf	(14') (A)
	353757X1	7	Washer	(10') (A)
	353757X1	9	Washer	(12') (A)
	353757X1	11	Washer	(14') (A)
	353432X1	7	Lock Washer	(10') (A)
	353432X1	9	Lock Washer	(12') (A)
	353432X1	11	Lock Washer	(14') (A)

(A)
GERMANY
(B)
ROCKY TERRAIN
(C)
CORN

GARANTS DE TABLE
SCHUTZBLECH-TISCH
DEFENSAS DE LA PLATFORMA
TABLE GUARDS

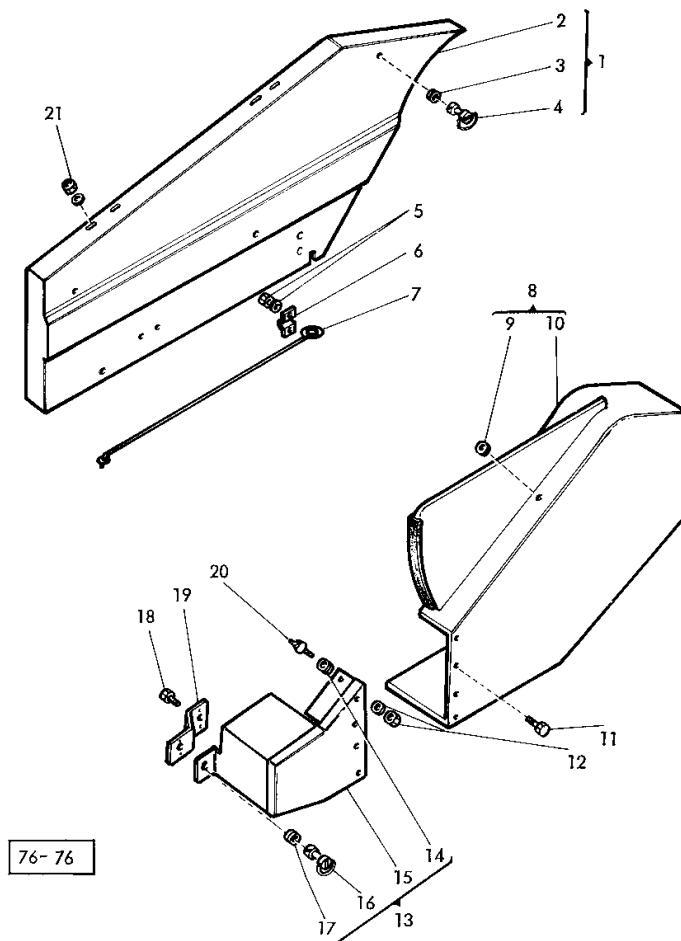
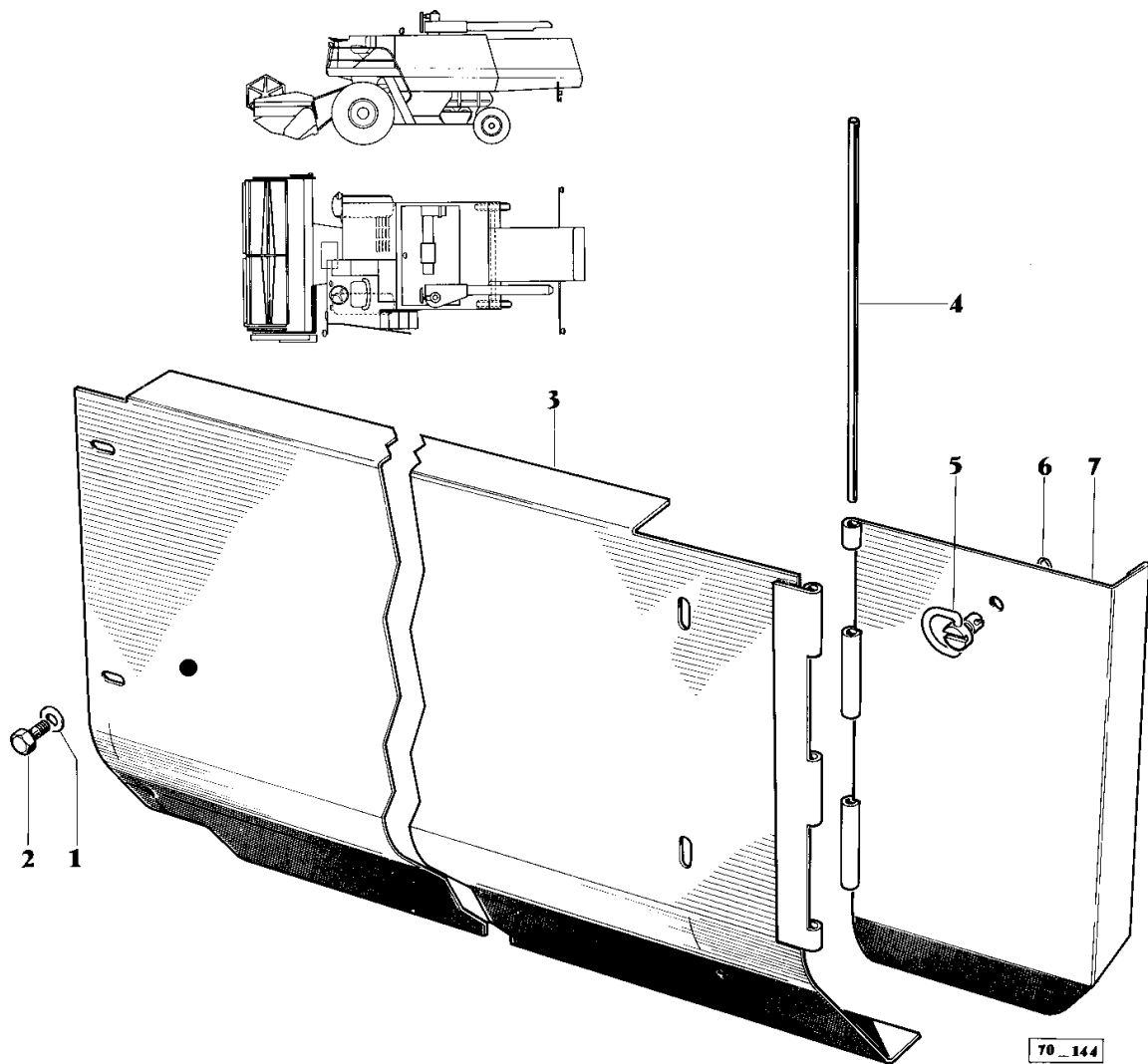


TABLE GUARDS

Item	Part Number	Qty	Description	Comments
1	606785M92	1	Cowl	
2		1		Not serviced, order NO. 1
3	828301M1	3	Grommet	
4	788877M1	3	Stud	
5	353918X1	2	Nut Unf	
	353441X1	2	Lock Washer	
6	783960M1	1	Bracket	
7	783958M91	1	Support	
8	1616472M91	1	Cowl	
9	786453M1	1	Grommet	
10		1		Not serviced, order NO. 1
11	353501X1	12	Screw Unf	
	353441X1	12	Lock Washer	
	353754X1	12	Washer	
	353918X1	12	Nut Unf	
12	353756X1	1	Washer	
	353431X1	1	Nut Unf	
13	1616468M91	1	Cowl	
14	786453M1	1	Grommet	
15		1		Not serviced, order NO. 1
16	788877M1	1	Stud	
17	828301M1	1	Grommet	
18	354241X1	2	Bolt Unf	
	353754X1	2	Washer	
	353441X1	2	Lock Washer	
	353918X1	2	Nut Unf	
19	784191M93	1	Bracket	
20	786489M1	1	Pin	
21	353501X1	4	Screw Unf	
	353754X1	4	Washer	
	353441X1	4	Lock Washer	

GARANT POUR ARBRE AR
SCHUTZBLECH-HINTERE-WELLE
DEFENZA-MANDO DEL SINFIN
GUARD REAR SHAFT



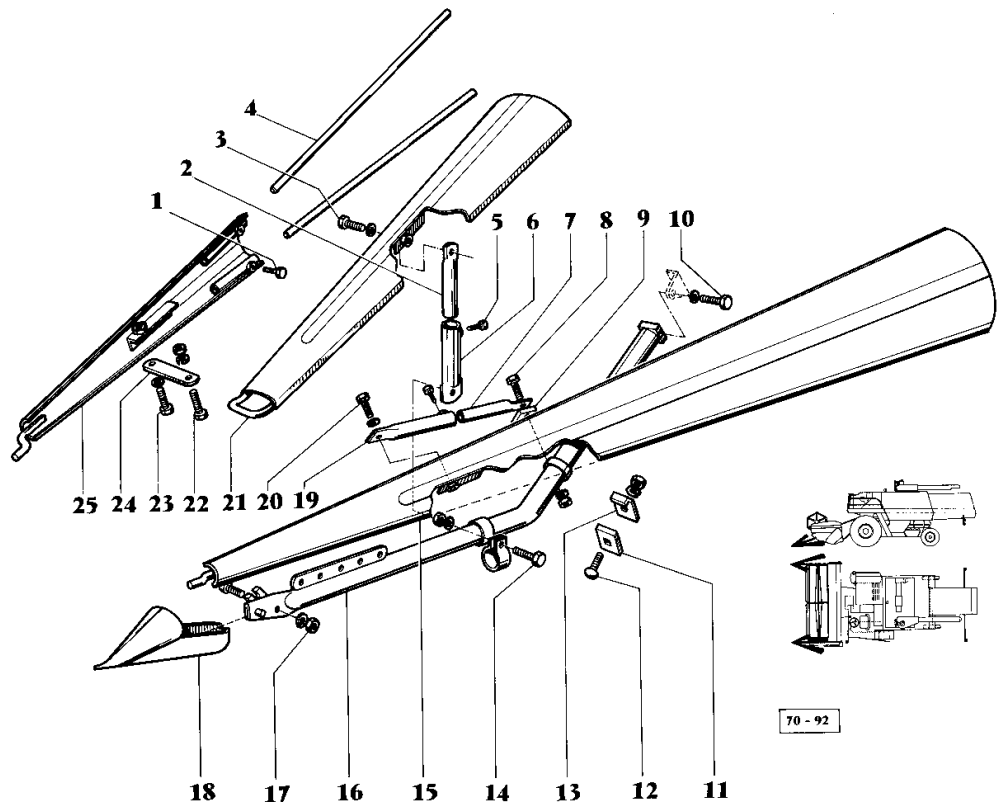
MASSEY FERGUSON**MF 520/525 COMBINES - 1646022**

1646022

GUARD REAR SHAFT - 3 M - 10', 3,60 M - 12', 4,20 M - 14'**28**

Item	Part Number	Qty	Description	Comments
				3 M - 10', 3,60 M - 12', 4,20 M - 14'
1	353754X1	6	Washer	
2	353501X1	6	Screw Unf	
3	788769M91	1	Guard	(3 M - 10') INCL. REF. 3 TO 7
	788770M91	1	Guard	(3,60 M - 12') INCL. REF. 3 TO 7
	788771M91	1	Guard	(4,20 M - 14') INCL. REF. 3 TO 7
4	786483M1	1	Rod	
5	786486M1	1	Stud	
6	787900M1	1	Ring	
7	788772M1	1	Cowl	

EXTENSION FLOTTANTE
AUSDEHNUNG
EXTENSION
FLOATING EXTENSION

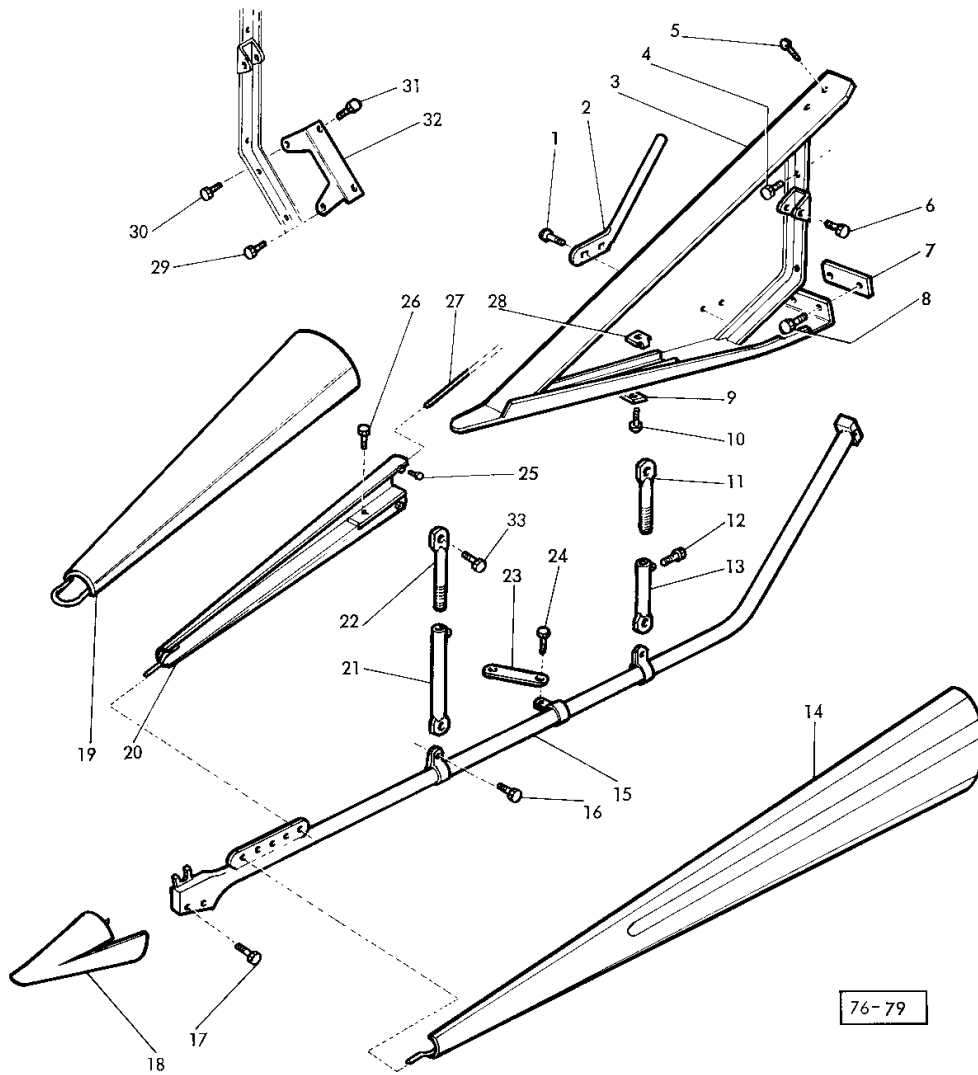


FLOATING EXTENSION

Item	Part Number	Qty	Description	Comments
	789431M92	1	Extension	Left Hand INCL. REF. 1 TO 25
	789432M92	1	Extension	Right Hand INCL. REF. 1 TO 25
1	353517X1	2	Screw Unf	
2	789407M1	1	Tube	
3	353557X1	1	Screw Unf	
4	790708M1	2	Rod	
5	353557X1	2	Screw Unf	
6	789405M91	1	Tube	
7	787167M1	1	Tube	
8	353571X1	1	Bolt Unf	
	353432X1	1	Lock Washer	
	353426X1	1	Nut Unf	
9	789408M1	1	Block	
10	353549X1	1	Bolt Unf	
	376448X1	1	Nut Unf	
11	788047M1	1	Plate	
12	353814X1	1	Bolt Unf	
	353434X1	1	Lock Washer	
	353431X1	1	Nut Unf	
13	785499M1	1	Plate	
14	353565X1	1	Bolt Unf	
	353432X1	1	Lock Washer	
	353426X1	1	Nut Unf	
15	789404M91	1	Segment	
16	789402M91	1	Tube	
	785724M1	3	Clamp	
17	353519X1	1	Screw Unf	
	353446X1	1	Lock Washer	
	353916X1	1	Nut Unf	
18	787082M91	1	Shoe	(A)
	911955M92	1	Shoe	(A)
19	785486M91	1	Tube	
20	353557X1	1	Screw Unf	
	353432X1	1	Lock Washer	
21	789410M91	1	Segment	
22	353565X1	2	Bolt Unf	
	353432X1	2	Lock Washer	
	353426X1	2	Nut Unf	
23	353557X1	3	Screw Unf	
	353432X1	3	Lock Washer	
24	789409M1	1	Strap	
25	789411M91	1	Segment	

(A)
ALTERNATIVE

DIVISEURS
ABTEILER
DIVISOR
DIVIDERS



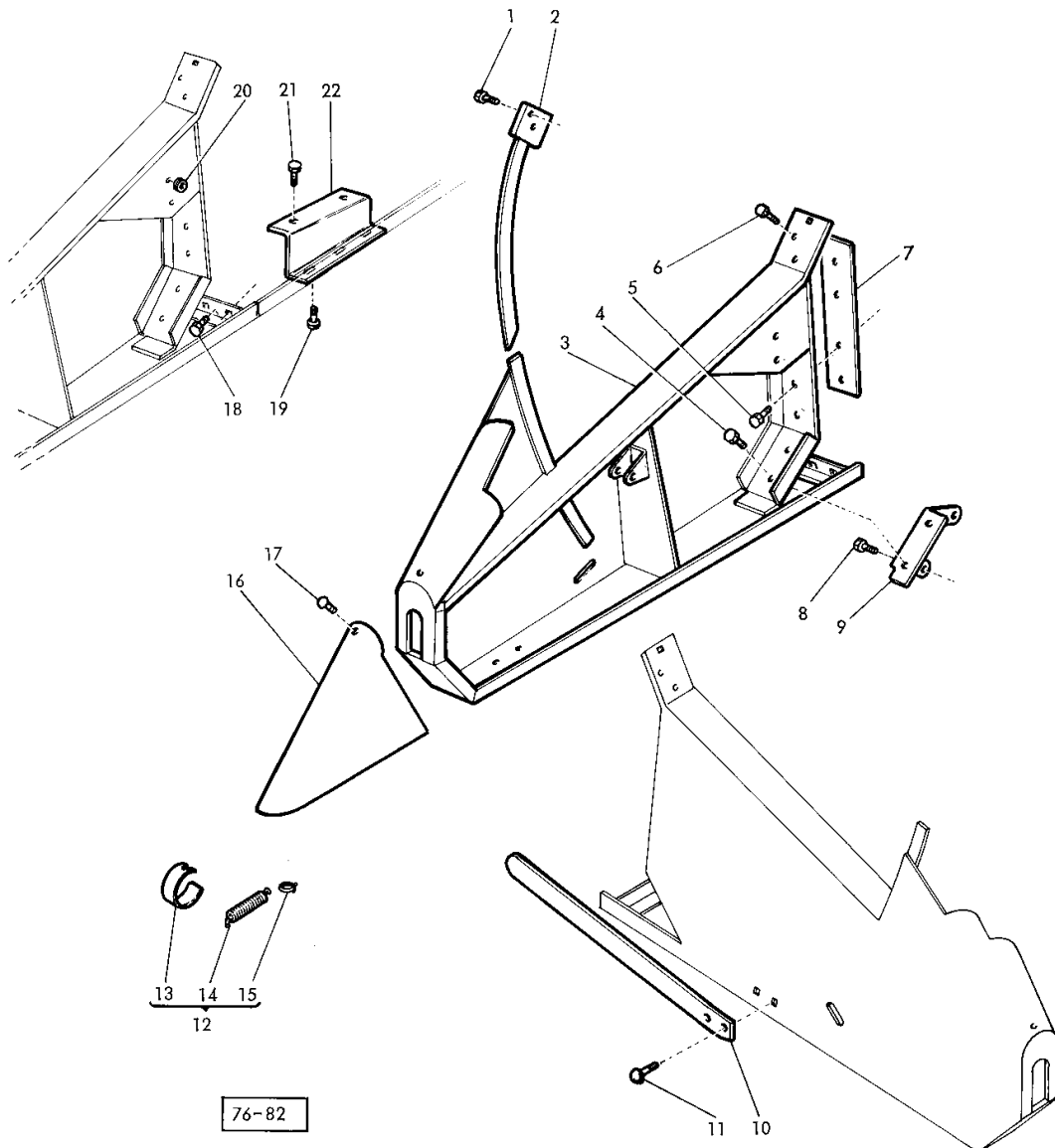
DIVIDERS

Item	Part Number	Qty	Description	Comments
	606774M91	1	Divider	Left Hand (A)
	606775M91	1	Divider	Right Hand (B)
1	353794X1	2	Bolt Unf	(A, B)
	376818X1	2	Washer	(A, B)
	353770X1	2	Washer	(A, B)
	353446X1	2	Lock Washer	(A, B)
	353916X1	2	Nut Unf	(A, B)
2	913915M1	1	Deflector	(A) Top
	911935M1	1	Deflector	(A) Bottom
	913914M1	1	Deflector	(B) Top
	911934M1	1	Deflector	(B) Bottom
3	606771M91	1	Divider	(A)
	606773M91	1	Divider	(A)
4	353519X1	4	Screw Unf	(A, B)
	376475X1	4	Washer	(A, B)
	353446X1	4	Lock Washer	(A, B)
	353916X1	4	Nut Unf	(A, B)
5	353793X1	2	Bolt Unf	(A, B)
	353755X1	2	Washer	(A, B)
	353446X1	2	Lock Washer	(A, B)
	353916X1	2	Nut Unf	(A, B)
6	353549X1	1	Bolt Unf	(A, B)
	376448X1	1	Nut Unf	(A, B)
7	787126M1	1	Plate	(A)
8	353796X1	2	Bolt Unf	(A, B)
	353446X1	2	Lock Washer	(A, B)
	353916X1	2	Nut Unf	(A, B)
9	785502M1	1	Plate	(A, B)
10	353813X1	1	Bolt Unf	(A, B)
	353434X1	1	Lock Washer	(A, B)
	353431X1	1	Nut Unf	(A, B)
11	785485M1	1	Tube	(A, B)
12	353558X1	2	Screw Unf	(A, B)
13	785486M91	1	Tube	(A, B)
14	786743M91	1	Segment	(A, B)
15	911563M93	1	Tube	(A, B)
16	353565X1	2	Bolt Unf	(A, B)
	353432X1	2	Lock Washer	(A, B)
	353426X1	2	Nut Unf	(A, B)
17	353517X1	2	Screw Unf	(A, B)
	353446X1	2	Lock Washer	(A, B)
18	911955M92	1	Shoe	(A, B)
19	911610M91	1	Cone	(A)
	911611M91	1	Cone	(B)
20	911719M91	1	Cone	(A, B)
21	785491M91	1	Tube	(A, B)
22	785490M1	1	Tube	(A, B)
23	785494M1	1	Strap	(A, B)
24	353565X1	1	Bolt Unf	(A, B)
	353432X1	1	Lock Washer	(A, B)
	353426X1	1	Nut Unf	(A, B)
25	353519X1	2	Screw Unf	(A, B)
26	353559X1	1	Screw Unf	(A, B)
	353432X1	1	Lock Washer	(A, B)
27	790708M1	2	Rod	(A, B)
28	913925M1	1	Plate	(A, B)
29	353502X1	1	Screw Unf	(B)
	353754X1	1	Washer	(B)
	353441X1	1	Lock Washer	(B)
30	353502X1	1	Screw Unf	(B)
	353754X1	1	Washer	(B)
	353441X1	1	Lock Washer	(B)
	353918X1	1	Nut Unf	(B)
31	353502X1	2	Screw Unf	(B)

DIVIDERS

Item	Part Number	Qty	Description	Comments
	353754X1	2	Washer	(B)
	353441X1	2	Lock Washer	(B)
32	785498M1	1	Guard	(B)
33	353563X1	2	Bolt Unf	(A, B)
	353432X1	2	Lock Washer	(A, B)
	353426X1	2	Nut Unf	(A, B)
				(A)
				606774M91
				Left Hand
				(B)
				606775M91
				Right Hand

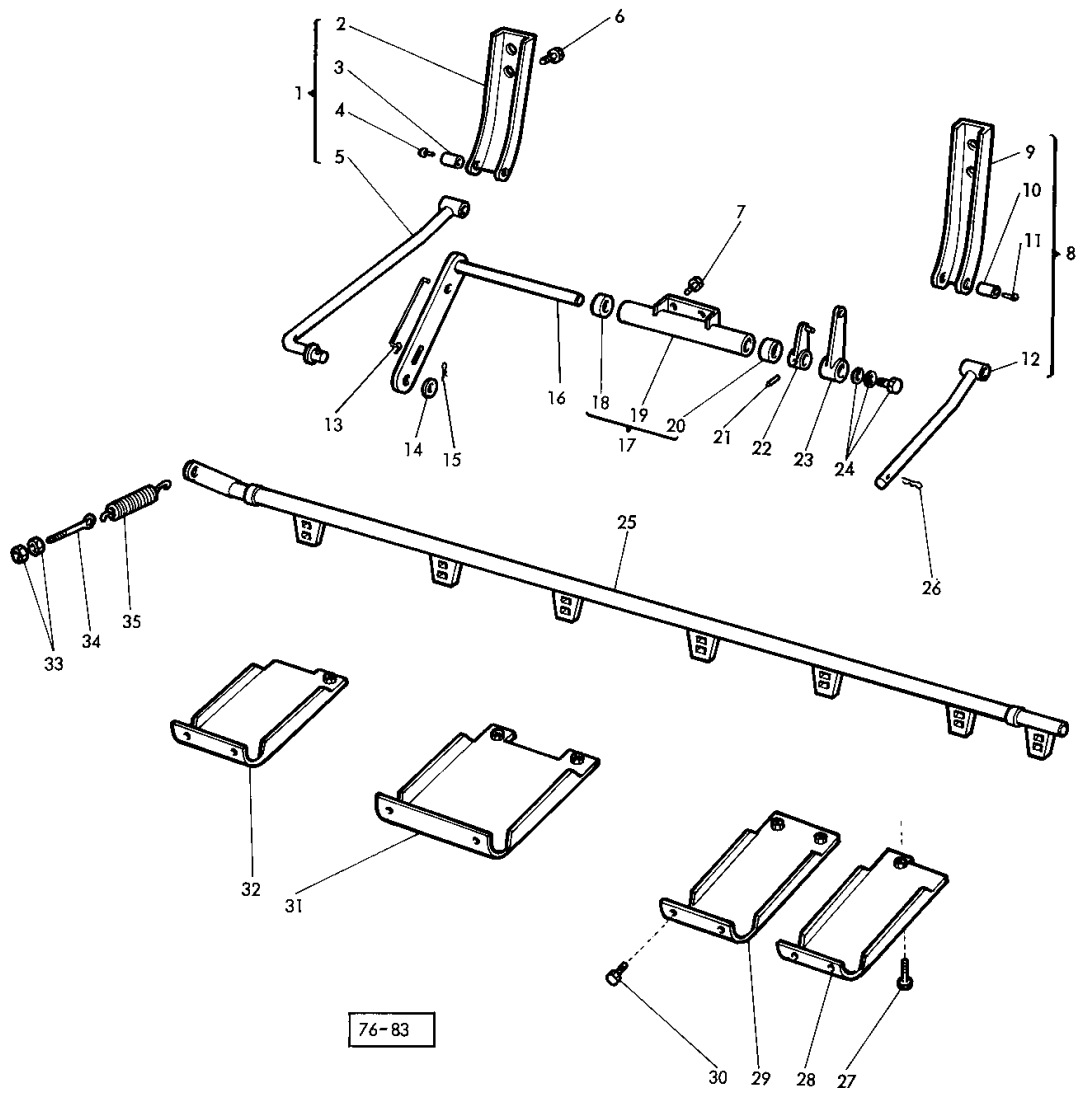
DIVISEURS RIGIDES
STARRERABTEILER
DIVISOR RIGIDO
STIFF DIVIDER



STIFF DIVIDER

Item	Part Number	Qty	Description	Comments
	913911M94	1	Divider	Left Hand (B)
	913910M93	1	Divider	Right Hand (C)
1	353533X1	1	Bolt Unf	(C)
2	913902M91	1	Guide	(B)
	913904M91	1	Guide	(C)
3	789264M93	1	Divider	Left Hand (B)
	789265M95	1	Divider	Right Hand (C)
4	353502X1	2	Screw Unf	(C)
	353754X1	2	Washer	(C)
	353441X1	2	Lock Washer	(C)
5	353519X1	4	Screw Unf	(B, C)
	376475X1	4	Washer	(B, C)
	353446X1	4	Lock Washer	(B, C)
	353916X1	4	Nut Unf	(B, C)
5	353793X1	2	Bolt Unf	(B, C)
	353755X1	2	Washer	(B, C)
	353446X1	2	Lock Washer	(B, C)
	353916X1	2	Nut Unf	(B, C)
7	789278M1	1	Packer	(C)
8	353502X1	2	Screw Unf	(C)
	353754X1	2	Washer	(C)
	353441X1	2	Lock Washer	(C)
	353918X1	2	Nut Unf	(C)
9	785498M1	1	Guard	(C)
10	913913M1	1	Deflector	(A)
	913912M1	1	Deflector	(C)
11	353794X1	2	Bolt Unf	(B, C)
	376818X1	2	Washer	(B, C)
	353770X1	2	Washer	(B, C)
	353446X1	2	Lock Washer	(B, C)
	353916X1	2	Nut Unf	(B, C)
12	404790M92	1	Guard	(A, B)
	404794M92	1	Guard	(A, C)
13	404791M92	1	Protector	(B, C)
14	326639M1	1	Spring	(B, C)
15	322979M1	1	Knotter Hook	(B, C)
16	791440M92	1	Shoe	(B)
	791441M92	1	Shoe	(C)
17	353792X1	1	Bolt Unf	(B, C)
	353755X1	1	Washer	(B, C)
	353446X1	1	Lock Washer	(B, C)
	376818X1	1	Washer	(B, C)
	353916X1	1	Nut Unf	(B, C)
18	353796X1	2	Bolt Unf	(B, C)
	353446X1	2	Lock Washer	(B, C)
	353916X1	2	Nut Unf	(B, C)
19	353792X1	3	Bolt Unf	(B, C)
	353755X1	3	Washer	(B, C)
	353446X1	3	Lock Washer	(B, C)
	353916X1	3	Nut Unf	(B, C)
20	793115M1	2	Plug	(B, C)
21	353519X1	2	Screw Unf	(C)
	353755X1	2	Washer	(C)
	353446X1	2	Lock Washer	(C)
	353916X1	2	Nut Unf	(C)
22	784996M2	1	Support	(C)
				(A)
				GERMANY
				(B)
				913911M94
				Left Hand
				(C)
				913910M93
				Right Hand

DOIGT DE CONTACT
 FINGER BALKEN
 CONTROL AUTOMATICO-ALTURA DE CORTE
 SENSING FINGERS



**MASSEY FERGUSON
MF 520/525 COMBINES - 1646022**

1646022

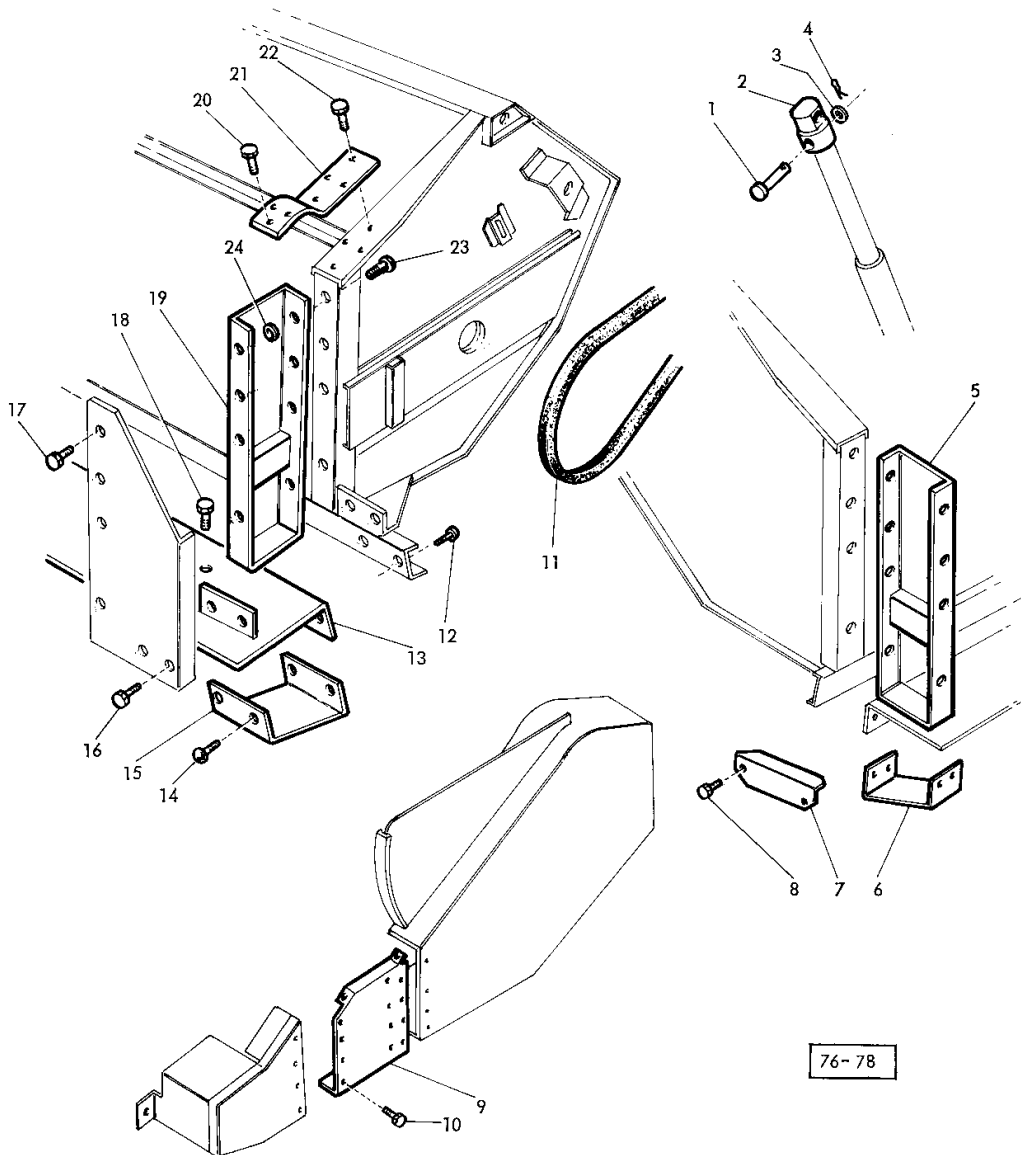
39

SENSING FINGERS - 10', 12', 14'

Item	Part Number	Qty	Description	Comments
				10', 12', 14'
1	783016M92	1	Finger	
2	795603M1	1	Finger	
3	795640M1	1	Arm	
4	16927X	1	Rivet	
5	783017M91	1	Finger	
	784082M1	1	Bush	
6	353825X1	12	Bolt Unf	(10')
	353825X1	16	Bolt Unf	(12', 14')
	353432X1	12	Lock Washer	(10')
	353432X1	16	Lock Washer	(12', 14')
	353428X1	12	Nut Unf	(10')
	353428X1	16	Nut Unf	(12', 14')
7	353503X1	2	Screw Unf	
	353446X1	2	Lock Washer	
	353916X1	2	Nut Unf	
8	786569M91	5	Finger	(10')
	786569M91	7	Finger	(12', 14')
9	795603M1	5	Finger	(10')
	795603M1	7	Finger	(12', 14')
10	795640M1	5	Arm	(10')
	795640M1	7	Arm	(12', 14')
11	16927X	5	Rivet	(10')
	16927X	7	Rivet	(12', 14')
12	783156M91	5	Finger	(10')
	783156M91	7	Finger	(12', 14')
13	783024M1	1	Clip	
14	353760X1	1	Flat Washers	
15	354057X1	1	Pin	
16	1615100M91	1	Lever	
17	1615102M91	1	Bracket	
18	783033M1	1	Bush	
19	1615103M91	1	Bracket	
20	783033M1	1	Bush	
21	360676X1	1	Pin	
22	1615105M1	1	Lever	
23	783454M1	1	Lever	
24	353501X1	1	Screw Unf	
	353769X1	1	Washer	
	353441X1	1	Lock Washer	
25	783152M91	1	Pivot	(10')
	783153M91	1	Pivot	(12')
	783154M91	1	Pivot	(14')
26	354087X1	5	Pin	(10')
	354087X1	7	Pin	(12', 14')
27	793190M1	17	Bolt	(10')
	793190M1	21	Bolt	(12')
	793190M1	23	Bolt	(14')
	353432X1	17	Lock Washer	(10')
	353432X1	21	Lock Washer	(12')
	353432X1	23	Lock Washer	(14')
28	786549M92	1	Plate	(10', 12')
29	786545M91	1	Plate	(12')
30	353559X1	15	Screw Unf	(10')
	353559X1	19	Screw Unf	(12')
	353559X1	21	Screw Unf	(14')
	353757X1	15	Washer	(10')
	353757X1	19	Washer	(12')
	353757X1	21	Washer	(14')
	353432X1	15	Lock Washer	(10')
	353432X1	19	Lock Washer	(12')
	353432X1	21	Lock Washer	(14')
31	787102M92	5	Plate	(10', 12')
	787102M92	9	Plate	(14')
32	786547M92	1	Plate	(10', 12')
33	375108X1	2	Nut Unc	
34	783219M1	1	Bolt	
35	227971M1	1	Spring	

39 A

COUPE LONGUE
LANGSCHNITT
CORTE LARGA
LONG CUT



LONG CUT - 12' AND 14' TABLES

Item	Part Number	Qty	Description	Comments
				12' AND 14' TABLES
	1616025M91	1	Parts Pack	12'
	1616026M91	1	Parts Pack	14'
1	195358M1	2	Pin	
2	1616594M1	2	Extension	
3	353760X1	2	Flat Washers	
4	354076X1	2	Pin	
5	914826M91	1	Extension	Right Hand
6	914823M2	1	Extension	Right Hand
7	914822M1	1	Extension	
8	353522X1	2	Bolt Unf	
	353755X1	2	Washer	
	353446X1	2	Lock Washer	
	353916X1	2	Nut Unf	
9	1615929M1	1	Extension	
10	353501X1	12	Screw Unf	
	353754X1	12	Washer	
	353441X1	12	Lock Washer	
	353918X1	12	Nut Unf	
11	402607M1	1	Belt	
12	353796X1	4	Bolt Unf	
	353755X1	4	Washer	
	353446X1	4	Lock Washer	
	353916X1	4	Nut Unf	
13	1615893M91	1	Extension	12'
	1615894M91	1	Extension	14'
14	353796X1	4	Bolt Unf	
	353755X1	4	Washer	
	353446X1	4	Lock Washer	
	353916X1	4	Nut Unf	
15	914820M1	1	Extension	Left Hand
16	353518X1	2	Screw Unf	
	353755X1	2	Washer	
	353446X1	2	Lock Washer	
	353916X1	2	Nut Unf	
17	353519X1	8	Screw Unf	
	353755X1	8	Washer	
	353446X1	8	Lock Washer	
	353916X1	8	Nut Unf	
18	353519X1	2	Screw Unf	
	353755X1	2	Washer	
	353446X1	2	Lock Washer	
	353916X1	2	Nut Unf	
19	914825M91	1	Extension	Left Hand
20	353519X1	6	Screw Unf	
	353755X1	6	Washer	
	353446X1	6	Lock Washer	
	353916X1	6	Nut Unf	
21	914817M1	2	Bracket	
22	353796X1	8	Bolt Unf	
	353755X1	8	Washer	
	353446X1	8	Lock Washer	
	353916X1	8	Nut Unf	
23	353519X1	6	Screw Unf	
	353755X1	6	Washer	
	353446X1	6	Lock Washer	
	353916X1	6	Nut Unf	
24	353755X1	30	Washer	12'
	353755X1	32	Washer	14'

ELEVATEUR A RECOLTE
 EINZUGSELEVATORGEHAEUSE
 ELEVATOR DE COSECHA
 TABLE ELEVATOR

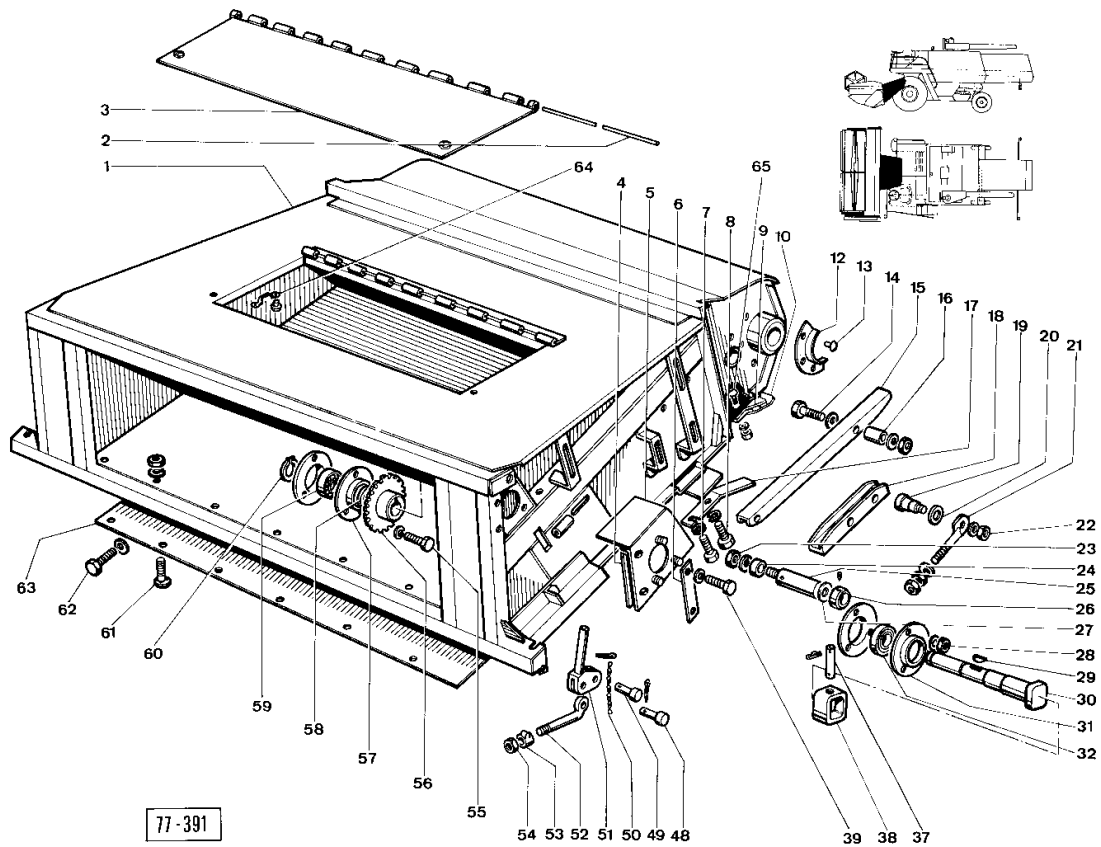


TABLE ELEVATOR

Item	Part Number	Qty	Description	Comments
1	619853M95	1	Riser	INCL. REF. 13,63
2	786751M1	1	Rod	
3	911638M91	1	Gate	
4	786098M1	1	Plate	
5	786118M92	1	Bracket	
6	786097M1	1	Strip	
7	353519X1	3	Screw Unf	
	361228X1	3	Washer	
8	353518X1	3	Screw Unf	
	353446X1	3	Lock Washer	
9	784975M1	7	Spring	
10	617535M92	1	Canvas	
12	233311M1	2	Cowl	
13	19654X	6	Rivet	(A)
	12446X	6	Rivet	(A)
14	354505X1	4	Bolt Unf	
	355619X1	8	Washer	
	353431X1	4	Nut Unf	
15	786061M2	1	Tightener	
16	796717M1	4	Sleeve	
17	788921M1	3	Strap	
18	796720M1	1	Tightener	
19	786094M1	2	Stud	
20	784268M1	2	Spacer	
21	786095M1	2	Tightener	
	353760X1	2	Flat Washers	
	375112X1	4	Nut Unc	
22	353433X1	2	Lock Washer	
	353427X1	2	Nut Unf	
23	355646X1	2	Nut Unf	
	359414X1	2	Washer	
25	787903M1	2	Pin	
26	913924M2	2	Washer	
	358672X1	2	Screw	
27	913963M1	3	Washer	
28	353431X1	3	Nut Unf	
	353434X1	3	Lock Washer	
29	2020X	1	Key	
30	913965M3	1	Shaft	
31	541388M2	2	Flange	
32	831822M1	1	Bearing	
37	249675M2	1	Shaft	
	1753018M1	1	Pin	
	354078X1	1	Pin	
38	249683M91	1	Sleeve	
39	353537X1	2	Screw Unf	
	353434X1	2	Lock Washer	
48	195352M1	2	Pin	
	354076X1	2	Pin	
49	195350M1	2	Clevis Pin	
	354076X1	2	Pin	
50	787723M1	2	Chain	
	354074X1	2	Pin	
51	786113M1	2	Lever	
52	786108M1	2	Bolt	
53	786114M1	2	Knotter Hook	
54	376811X1	2	Nut Unc	
55	353516X1	3	Screw Unf	
	353446X1	3	Lock Washer	
56	913601M91	1	Pinion	Number of teeth/spines 22
57	22691X	2	Flange	
58	354946X1	1	Ring	
59	831087M1	1	Bearing	
60	623247M1	1	Circlip	
61	338671X1	11	Screw	
	353441X1	11	Lock Washer	
	353754X1	11	Washer	
	353918X1	11	Nut Unf	
62	338672X1	7	Screw	
	353441X1	7	Lock Washer	

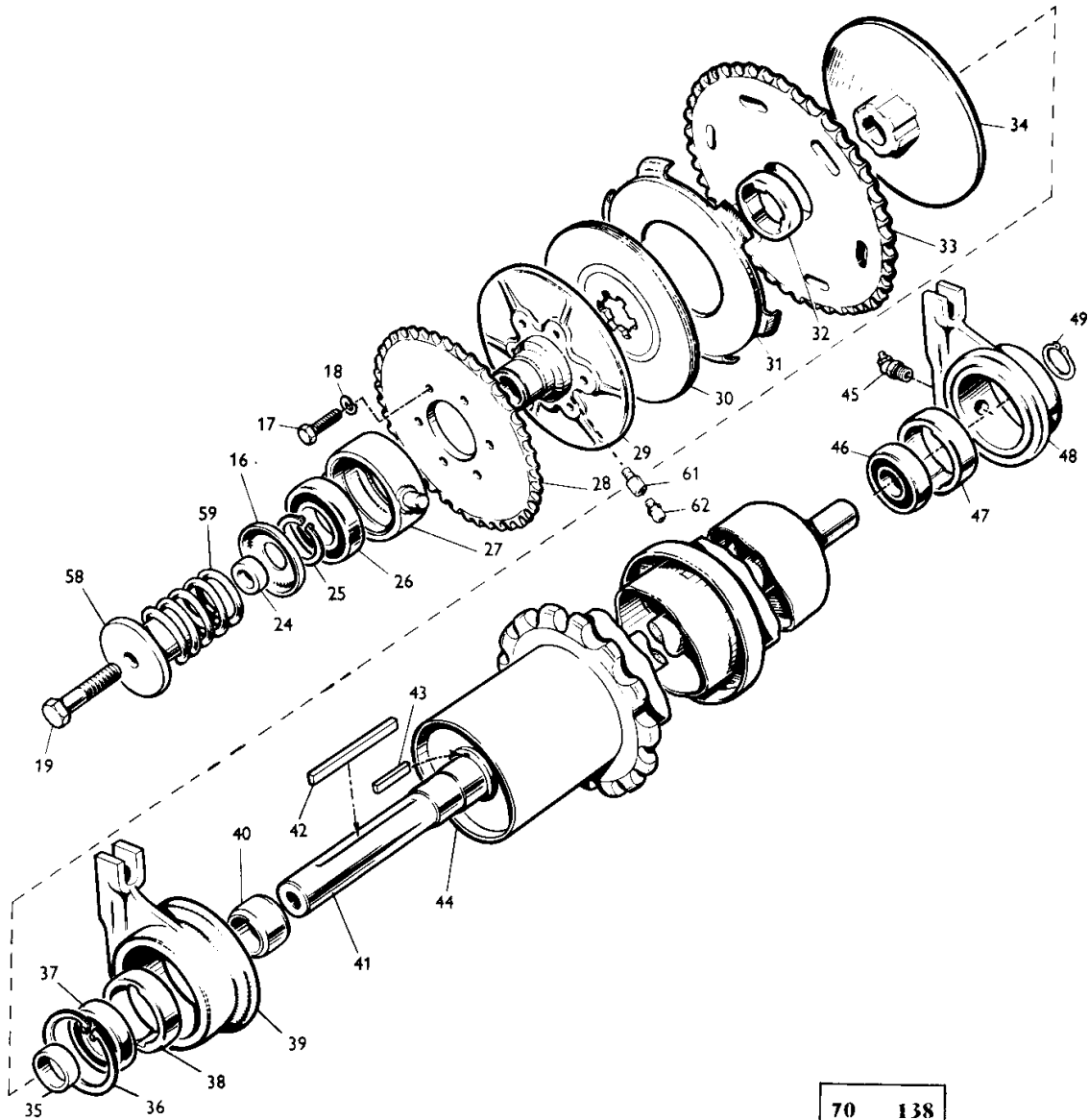
TABLE ELEVATOR

Item	Part Number	Qty	Description	Comments
	353754X1	7	Washer	
	353918X1	7	Nut Unf	
63	913644M1	1	Plate	
64	786141M1	1	Spring	
	14027X	2	Rivet	
65	354242X1	7	Bolt	
	353441X1	7	Lock Washer	
	353918X1	7	Nut Unf	
			(A)	
			Alternative	

44

REF.	N° PIECE	Qté
------	----------	-----

ELEVATEUR A RECOLTE-ARBRE SUPERIEUR
 HINTERE EINZUGSLEVATORTRONNIEL UND KUPPLUNG
 ELEVADOR DE COSLCHA-EJE SUPERIOR
 TABLE ELEVATOR-TOP SHAFT



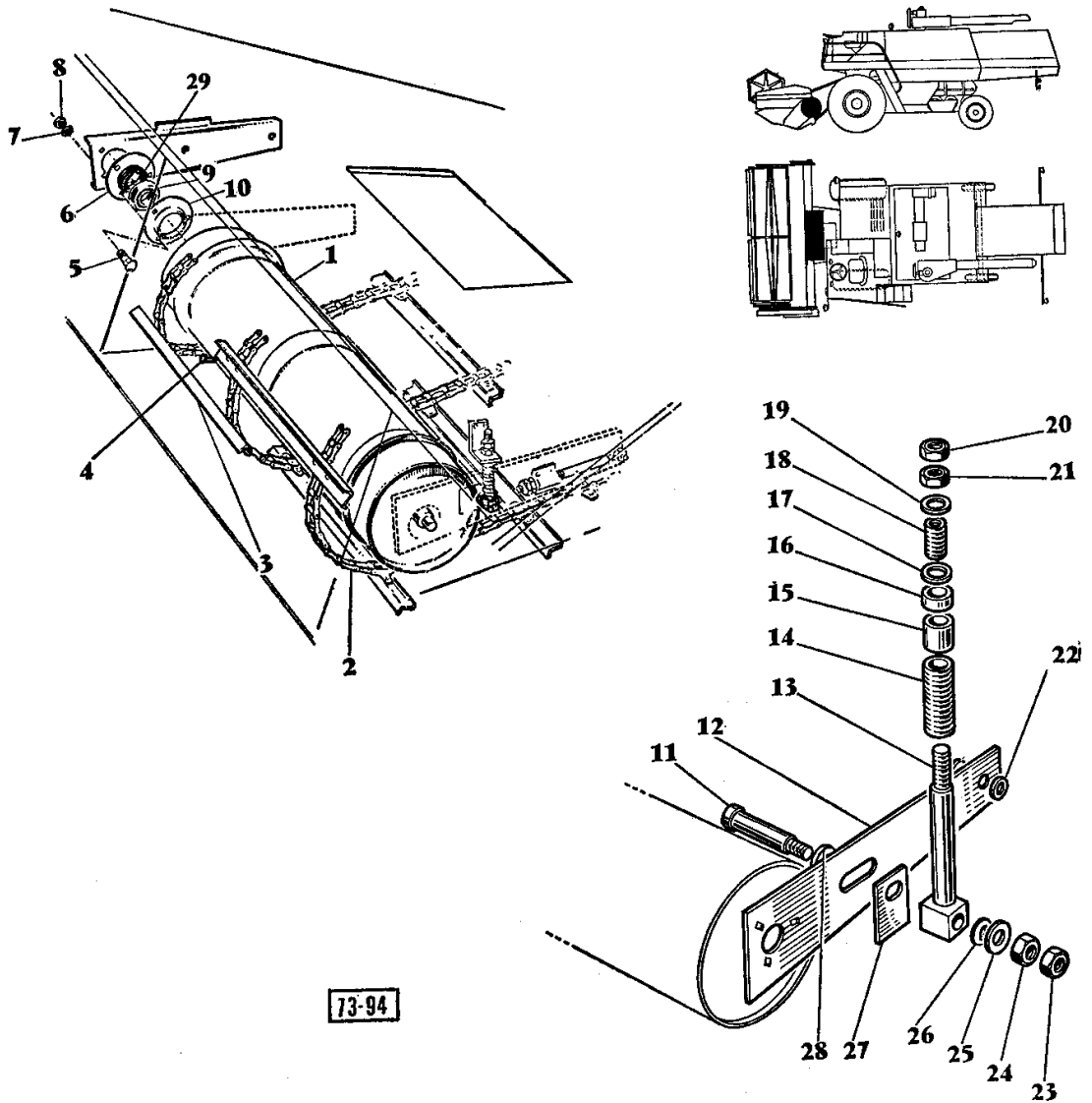
70 138

TABLE ELEVATOR - TOP SHAFT

Item	Part Number	Qty	Description	Comments
16	226580M1	1	Retainer	
17	353678X1	6	Screw Unc	
18	353446X1	6	Lock Washer	
19	832069M1	1	Bolt	
24	338492X1	X	Washer	
25	350394X1	1	Ring	
26	353236X1	1	Bearing	
27	228545M1	1	Housing	
28	658043M1	1	Pinion	Number of teeth/spines 36
29	619851M1	1	Tray	
30	226586M91	2	Disc	
31	226583M91	2	Disc	
32	226593M1	1	Bearing	
33	658041M1	1	Sprocket	Number of teeth/spines 45
34	226590M91	1	Hub	
35	361092X1	1	Spacer	
36	352433X1	1	Circlip	
37	1722011M1	1	Bearing Assy	
28	832077M1	1	Cup	
39	911927M1	1	Bearing Carrier	
40	226594M1	1	Spacer	
41	226604M91	1	Shaft	
42	360587X1	1	Key Door	
43	338654X1	2	Key Door	
44	917574M91	1	Drum	
45	364461X1	2	Nipple	
46	1722011M1	1	Bearing Assy	
47	832077M1	1	Cup	
48	911927M1	1	Bearing Carrier	
49	352699X1	1	Ring	
58	243046M1	1	Sleeve	
59	913137M1	1	Spring	
61	240931M1	1	Extension	
62	13811X	1	Grease Nipple	

ELEVATEUR A RECOLTE - TAMBOR
 EINZUGSELEVATOR - FUERDER TROMMEL
 ELEVATOR AL CILINDRO - TAMBOR
 ELEVATOR TO CYLINDER - DRUM

47



ELEVATOR TO CYLINDER - DRUM

Item	Part Number	Qty	Description	Comments
1	1615067M91	1	Drum	
2		1	Chain	INCL. REF. 3,4
3	1615117M1	17	Slat	
	1615116M1	17	Slat	
4	10591X	136	Rivet	
5	353793X1	6	Bolt Unf	
6	782769M1	2	Flange	
7	353446X1	6	Lock Washer	
8	353916X1	6	Nut Unf	
9	831112M1	2	Bearing	
10	782770M1	2	Flange	
11	913650M1	2	Clevis Pin	(D)
	338839X1	2	Bolt	(E)
12	913657M94	2	Arm	(D)
	1855261M91	2	Arm	(E)
13	913645M1	2	Stem	(D)
	1855263M1	2	Pin	(E)
14	913665M1	2	Spring	(D)
	784702M1	2	Spring	(E)
15	362047X1	2	Spacer	
16	659901M1	2	Spacer	(B) (D)
17	353762X1	2	Washer	
18	913666M1	2	Spring	(D)
	784701M1	2	Spring	(E)
19	353762X1	2	Washer	
20	375100X1	2	Nut Unc	
21	375113X1	2	Nut Unc	
22	784268M1	2	Spacer	(E)
	339576X1	2	Washer	(D)
23	353429X1	2	Nut Unf	(D)
	353920X1	2	Nut Unf	(E)
24	353427X1	2	Nut Unf	(D)
	353921X1	2	Nut Unf	(E)
25	353433X1	2	Lock Washer	
26	659901M1	2	Spacer	(C)
27	913647M1	2	Plate	(D)
28	YD1301	X	Washer	(D)
29	850643M1	2	Ring	

(A)
See Page - Reference Number 251
(B)
FREE ARM
(C)
LOCKING ARM
(D)
Up to Serial or Engine Number 14921
(E)
From Serial or Engine Number 14922

DEBRAYAGE DE TABLE
 TISCHKUPPLUNG
 DESEMBRAGE DE PLATFORMA
 TABLE THROW OUT CLUTCH

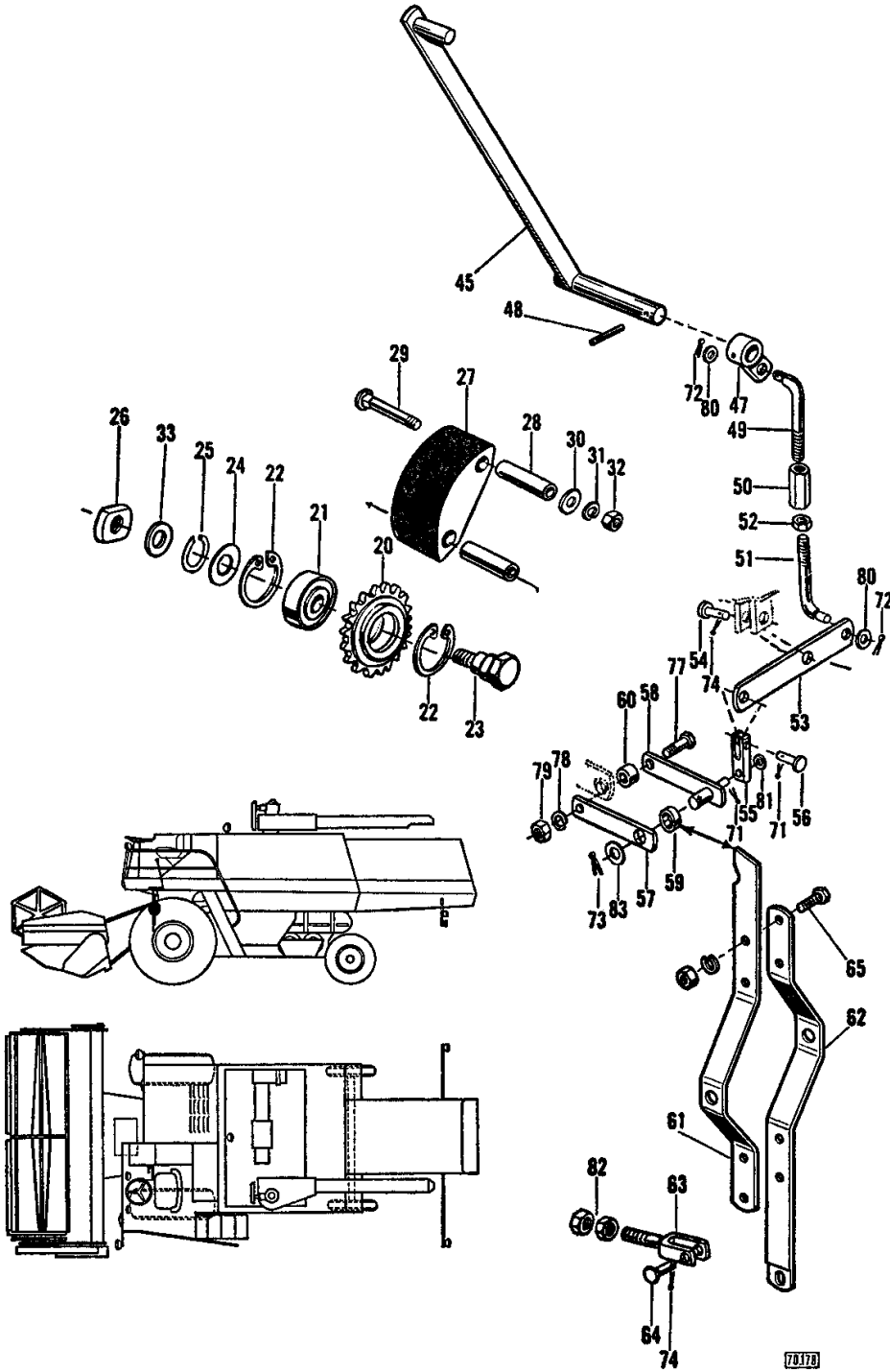
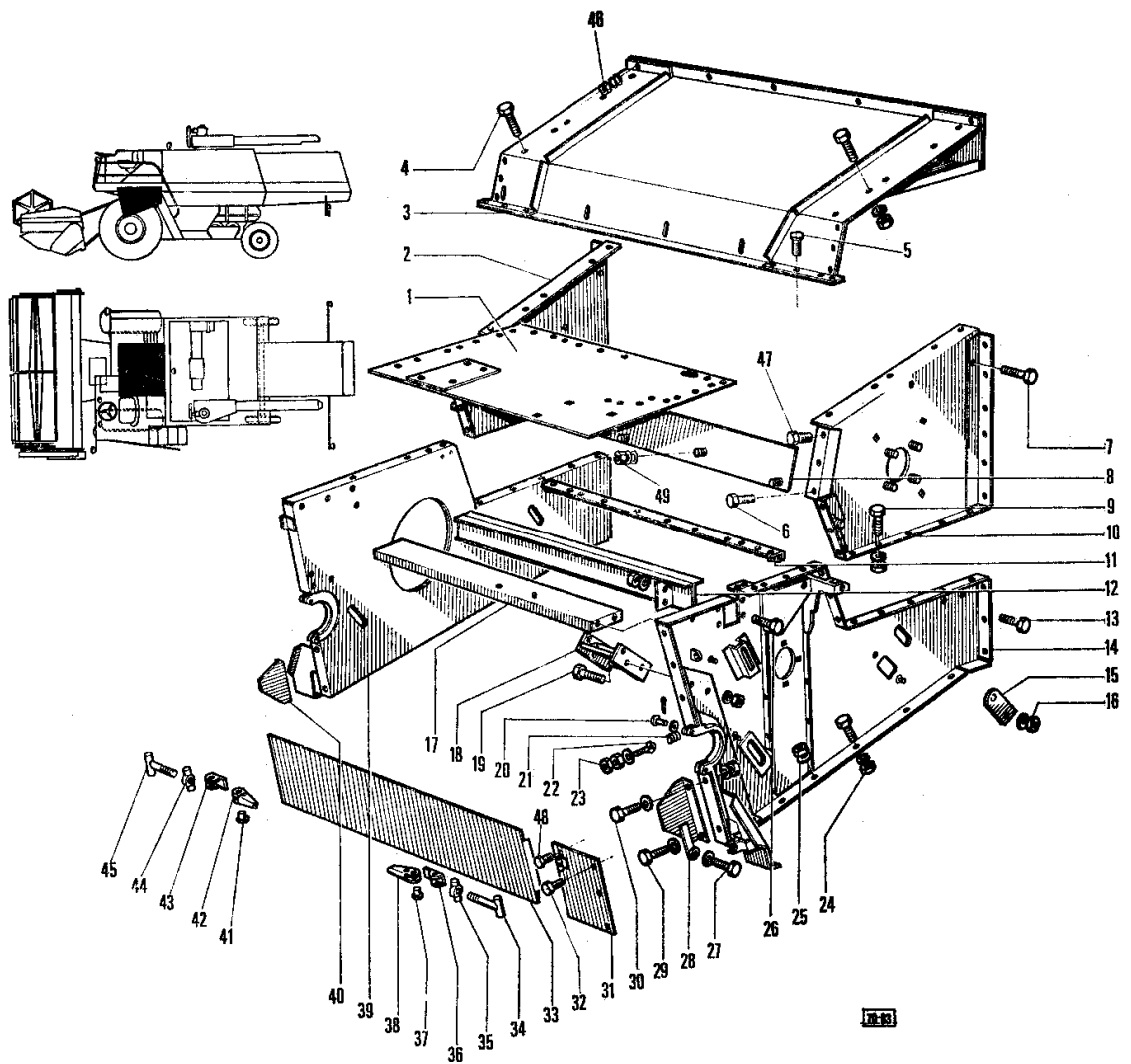


TABLE THROW OUT CLUTCH

Item	Part Number	Qty	Description	Comments
20	219348M1	1	Sprocket	Number of teeth/spines 19
21	22258X	1	Bearing Assy	
22	208230M1	1	Ring	
23	219349M1	1	Stud	
24	353760X1	1	Flat Washers	
25	353433X1	1	Lock Washer	
26	227974M1	1	Nut	
27	234487M1	1	Guide	
28	234488M1	2	Sleeve	
29	354842X1	2	Bolt Unf	
30	353758X1	2	Washer	
31	353439X1	2	Lock Washer	
32	353437X1	2	Nut Unf	
33	376849X1	2	Shim	
45	910061M92	1	Lever	
47	240706M91	1	Hub	
48	13587X	1	Pin	
49	234757M1	1	Rod	
50	234758M1	1	Buckle	
51	234759M1	1	Rod	
52	355111X1	1	Screw	
53	234763M1	1	Bar	
54	195407M1	1	Clevis Pin	
55	234764M1	1	Link	
56	831174M1	1	Pin	
57	234760M1	1	Strap	
58	234761M91	1	Pin	
59	228539M1	1	Roller	
60	228538M1	1	Spacer	
61	619403M1	1	Lever	
62	619404M1	1	Lever	
63	913841M91	1	Clevis	
64	195402M1	1	Pin	
65	353597X1	4	Bolt Unf	
	353439X1	4	Lock Washer	
	353437X1	4	Nut Unf	
71	354048X1	1	Pin	
72	354057X1	2	Pin	
73	354059X1	2	Pin	
74	354066X1	2	Pin	
77	353522X1	1	Bolt Unf	
78	353446X1	1	Lock Washer	
79	353916X1	1	Nut Unf	
80	353756X1	2	Washer	
81	353757X1	1	Washer	
82	353438X1	2	Nut Unf	
83	353759X1	1	Washer	

CAISSON DE BATTAGE
 DRESCHKAMMER
 CAJA DEL CILINDRO
 CYLINDER HOUSING



CYLINDER HOUSING

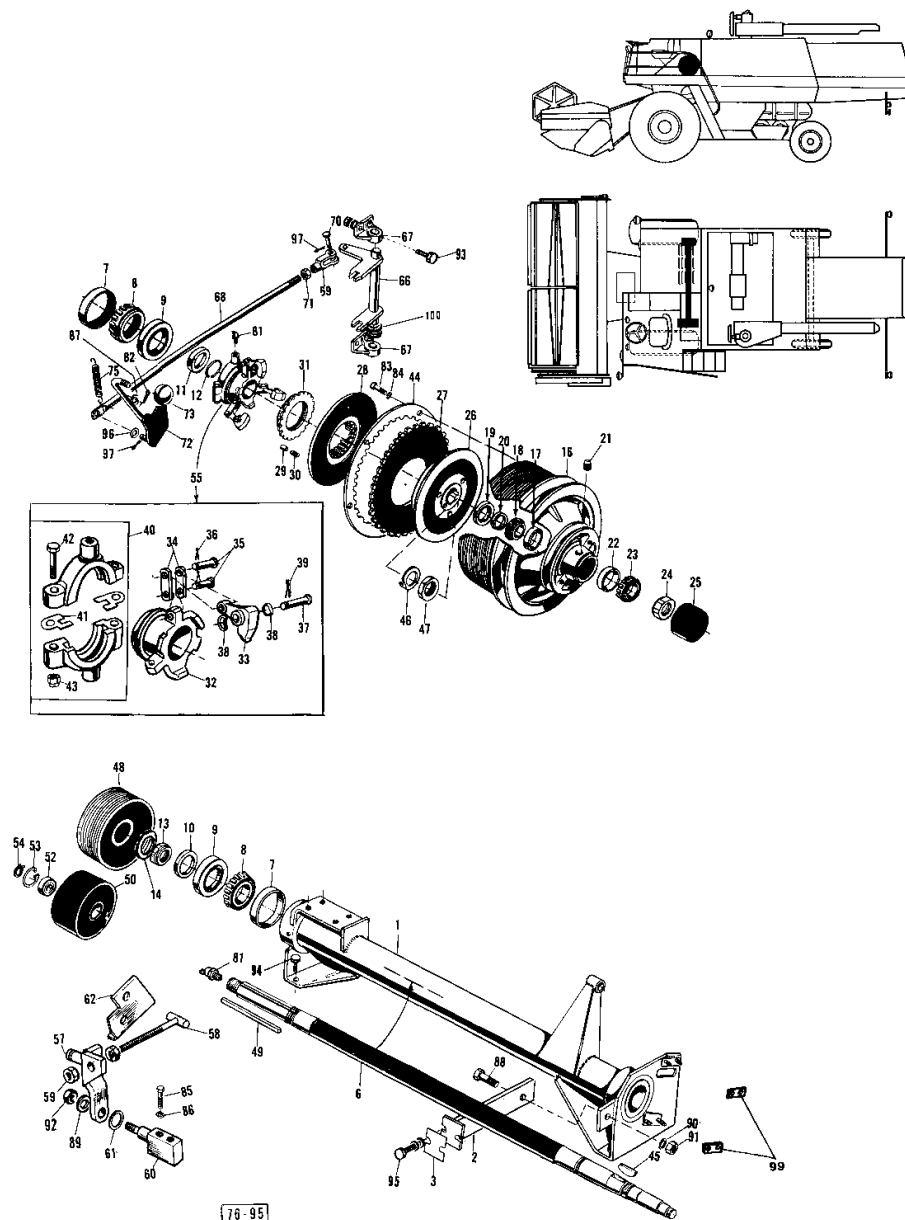
Item	Part Number	Qty	Description	Comments
1	912549M92	1	Roof	
2	912516M92	1	Side	Right Hand
3	912556M91	1	Roof	
4	353559X1	5	Screw Unf	
	353432X1	5	Lock Washer	
5	353518X1	2	Screw Unf	
	353446X1	2	Lock Washer	
6	353517X1	6	Screw Unf	
	353446X1	6	Lock Washer	
7	353516X1	4	Screw Unf	
	353446X1	4	Lock Washer	
8	912546M92	1	Stripper	
9	353516X1	49	Screw Unf	
	353446X1	49	Lock Washer	
	353916X1	49	Nut Unf	
10	912511M92	1	Side	Left Hand
11	912550M91	1	Bearer	
12	912275M91	1	Bearer	
13	353792X1	4	Bolt Unf	
	355802X1	8	Washer	
	353446X1	4	Lock Washer	
	353916X1	4	Nut Unf	
14	912521M95	1	Side	Left Hand (A)
	617881M91	1	Side	Left Hand (B)
15	619686M1	2	Gate	
16	353441X1	2	Lock Washer	
	353918X1	2	Nut Unf	
17	619454M92	1	Transverse	
	353562X1	1	Screw Unf	
18	786953M92	1	Support	INCL. REF. 18
	226928M2	1	Strip	
	226927M2	1	Strap	
	49361X	11	Rivet	
19	353559X1	4	Screw Unf	
	353432X1	4	Lock Washer	
	353757X1	5	Washer	
	353426X1	4	Nut Unf	
20	195405M1	4	Pin	
	354066X1	4	Pin	
21	659708M1	2	Spring	
22	911929M1	4	Bolt	
23	353762X1	4	Washer	
	353435X1	4	Nut Unf	
	353436X1	4	Nut Unf	
24	353516X1	3	Screw Unf	
	353446X1	3	Lock Washer	
	353916X1	3	Nut Unf	
25	353757X1	6	Washer	
	353432X1	6	Lock Washer	
	353426X1	6	Nut Unf	
26	353559X1	6	Screw Unf	
	353432X1	6	Lock Washer	
	353426X1	4	Nut Unf	
27	353527X1	1	Screw	
	353916X1	1	Nut Unf	
28	911450M91	1	Dust Shield	
29	353519X1	1	Screw Unf	
	353521X1	1	Bolt Unf	
	353446X1	2	Lock Washer	
	353755X1	2	Washer	
	353916X1	2	Nut Unf	
30	353519X1	1	Screw Unf	
	353521X1	1	Bolt Unf	
	353446X1	2	Lock Washer	
	353755X1	2	Washer	
	353916X1	2	Nut Unf	
31	619448M91	1	Cover	
32	353517X1	1	Screw Unf	

CYLINDER HOUSING

Item	Part Number	Qty	Description	Comments
	353446X1	1	Lock Washer	
	353755X1	1	Washer	
	353916X1	1	Nut Unf	
33	912547M91	1	Gate	INCL REF. 34 TO 38, 41 TO 45
34	235576M91	1	Clamp	INCL REF. 34 TO 38
35	230880M1	1	Nut	
36	235577M1	1	Bracket	
37	19638X	2	Rivet	
38	230882M1	1	Lever	
39	914987M91	1	Panel	Right Hand (A)
	617882M91	1	Side	Right Hand (B)
40	911449M1	1	Dust Shield	
41	19638X	2	Rivet	
42	230882M1	1	Lever	
43	235577M1	1	Bracket	
44	230880M1	1	Nut	
45	235576M91	1	Clamp	INCL. REF. 41 TO 45
46	353431X1	5	Nut Unf	
	353434X1	5	Lock Washer	
	353756X1	5	Washer	
47	353560X1	3	Screw Unf	
	353432X1	3	Lock Washer	
48	353517X1	1	Screw Unf	
	353755X1	1	Washer	
	353446X1	1	Lock Washer	
	353916X1	1	Nut Unf	
49	353916X1	11	Nut Unf	
	353755X1	11	Washer	
	353446X1	11	Lock Washer	

(A)
Up to Serial or Engine Number 1978
(B)
From Serial or Engine Number 1979

ARBRE PRINCIPAL-EMBAYAGE ET COMMANDES
 HAUPTVORGELEGEMELLE
 EJE PRINCIPAL-ENBRAGUE Y MANDOS
 CLUTCH AND COUNTER-SHAFT



78-95

COUNTER SHAFT AND CLUTCH

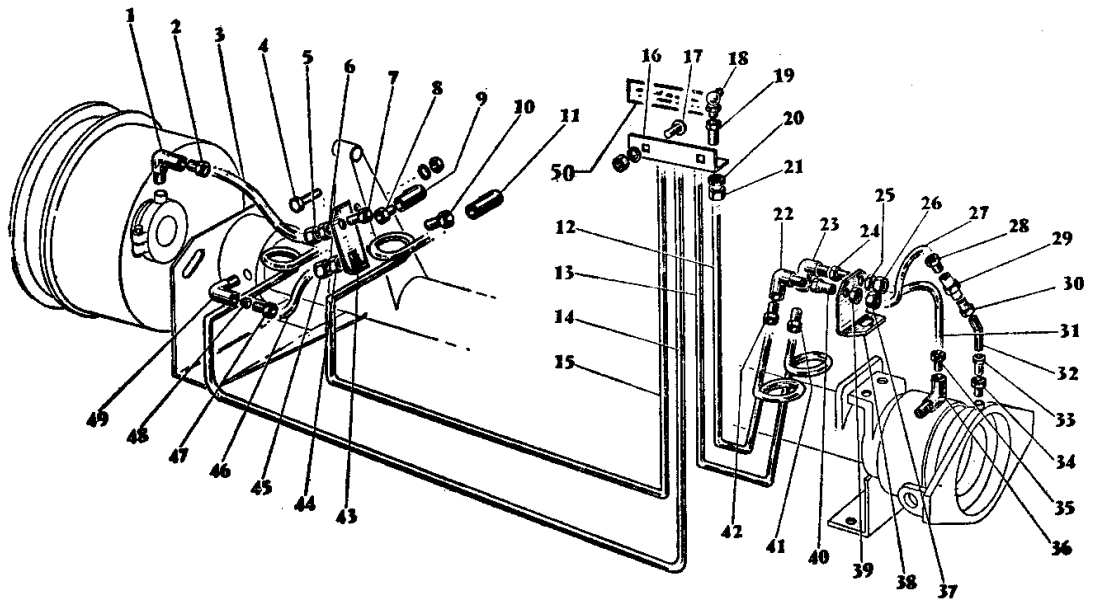
Item	Part Number	Qty	Description	Comments
1	911330M94	1	Pipe	
2	911327M92	1	Brace	
3	230357M1	X	Shim	
6	240442M1	1	Shaft	
7	831376M1	2	Cup	
8	831341M1	2	Cone	
9	833240M1	2	Bush	
10	238756M2	1	Clamp	
11	240606M2	1	Clamp	
12	911322M1	1	Segment	
13	833422M1	1	Nut	
14	912780M1	4	Shim	
16	911749M1	1	Pulley	
17	833094M1	1	Cup	
18	833095M1	1	Cone	
19	833239M1	1	Bush	
20	238759M2	1	Bush	
21	355547X1	1	Plug	
22	831077M1	1	Cup	
23	831078M1	1	Cone	
24	833421M1	1	Nut	
25	240445M1	1	Cap	
26	1026553M1	1	Plate	
27	1026555M1	1	Plate	
28	1018529M1	1	Plate	
29	1018538M1	1	Pin	
30	2632B	1	Spring	
31	1018537M1	1	Ring	
32	1026554M1	1	Sleeve	
33	1018531M1	3	Lever	
34	1018533M1	6	Link	
35	1023991M1	6	Pin	
36	1023990M1	6	Pin	
37	1023992M1	3	Pin	
38	1018539M1	6	Washer	
39	1023989M1	3	Pin	
40	1018534M91	1	Collar	INCL. REF. 41 TO 43
41	13073B	2	Shim	
42	353548X1	2	Bolt Unf	
43	195258M1	2	Nut	
44	1030378M1	1	Washer	
45	338474X1	1	Key	
46	1030378M1	1	Washer	
47	1030379M1	1	Nut	
48	911326M2	1	Pulley	
49	338473X1	1	Key	
50	912674M1	1	Pulley	
52	29963X	1	Bearing	
53	330658X1	1	Segment	
54	330317X1	1	Segment	
55	240444M91	1	Clutch	INCL. REF. 26 TO 43
57	912666M91	1	Arm	
58	912673M91	1	Stem	
59	831850M1	1	Nut	
	353428X1	1	Nut Unf	
60	912671M1	1	Clevis Pin	
61	360995X1	4	Washer	
62	912670M1	1	Bracket	
66	1855755M91	1	Shaft	
67	230284M2	2	Bearing	
68	911340M1	1	Stem	
69	210880M1	1	Arm	
70	354190X1	1	Pin	
71	375110X1	1	Nut Unc	
72	911343M91	1	Lever	
73	205612M1	1	Knob	
75	230377M1	1	Spring	
81	364461X1	1	Nipple	
82	354057X1	1	Pin	
83	353682X1	9	Bolt Unc	

COUNTER SHAFT AND CLUTCH

Item	Part Number	Qty	Description	Comments
84	353446X1	9	Lock Washer	
85	353572X1	2	Bolt Unf	
86	353432X1	2	Lock Washer	
87	353760X1	1	Flat Washers	
88	353613X1	1	Screw Unf	
89	353779X1	1	Bolt Unf	
90	353433X1	1	Lock Washer	
91	353427X1	1	Nut Unf	
92	353921X1	2	Nut Unf	
93	353521X1	4	Bolt Unf	
	353446X1	4	Lock Washer	
	353916X1	4	Nut Unf	
94	353563X1	2	Bolt Unf	
	353561X1	4	Screw Unf	
	353432X1	6	Lock Washer	
	353757X1	6	Washer	
95	353700X1	2	Screw Unc	
	353432X1	2	Lock Washer	
	353757X1	2	Washer	
96	353757X1	1	Washer	
97	354048X1	2	Pin	
99	1615078M1	22	Shim	
	1615079M1	1	Shim	
100	391593X1	X	Washer Metric	
	598541M1	X	Washer	

RAMPE DE GRAISSAGE
 SCHMIERLEITUNGEN
 CIRCUITO DE ENGRASADO
 LUBRICATING ASSY

59



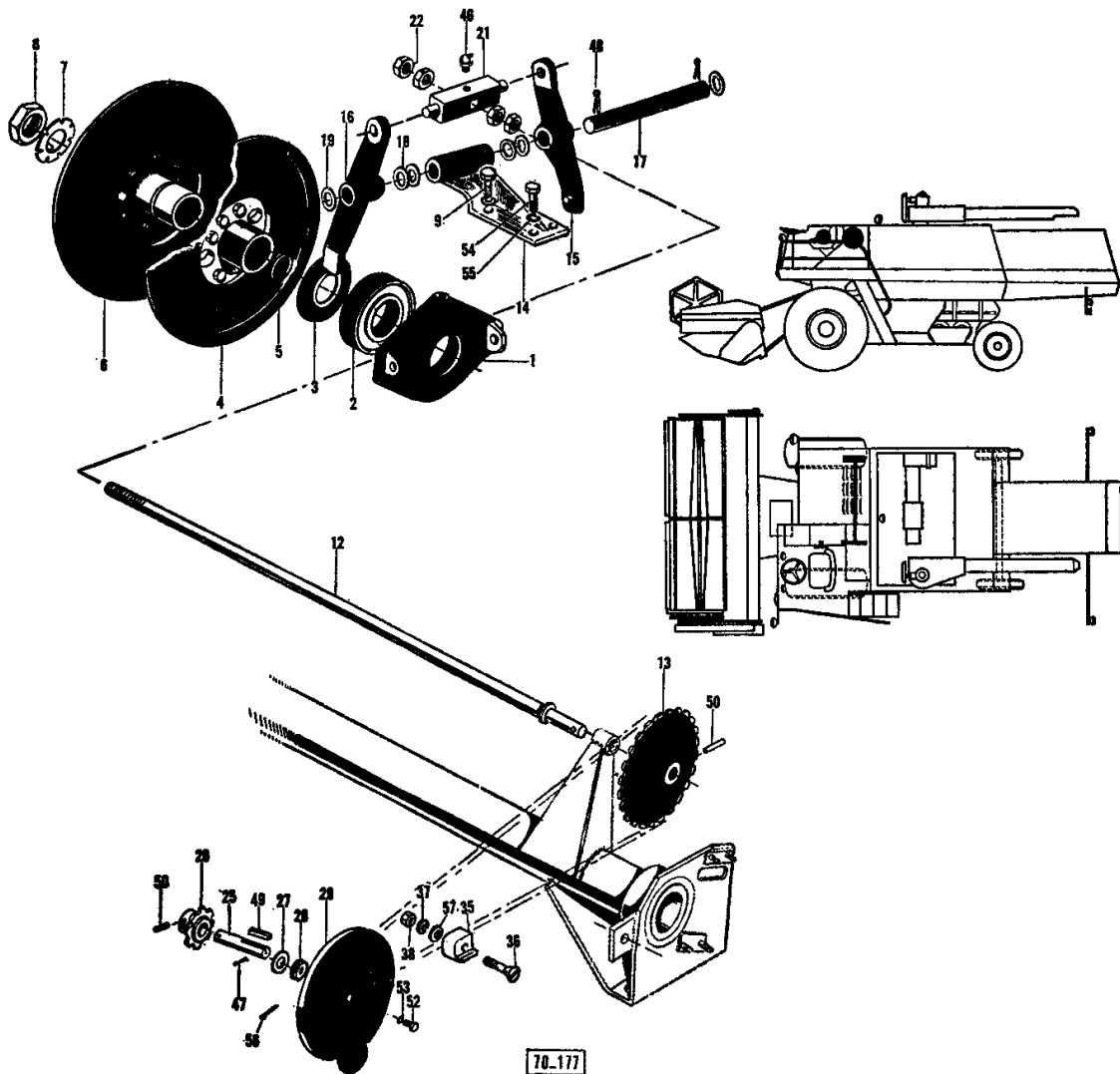
68 146

LUBRICATING ASSY

Item	Part Number	Qty	Description
1	376792X1	1	Adaptor
2	376797X1	1	Nut
3	895715M1	1	Tube
4	353502X1	2	Screw Unf
	353441X1	2	Lock Washer
4	353918X1	2	Nut Unf
5	376794X1	1	Nut
6	376793X1	1	Nut Bsp
7	376790X1	1	Adaptor
8	376797X1	1	Nut
9	376792X1	1	Adaptor
10	376790X1	1	Adaptor
11	376792X1	1	Adaptor
12	619578M1	1	Tube
13	619579M1	1	Tube
14	911396M1	1	Tube
15	911395M1	1	Tube
16	794551M1	1	Bracket
17	353515X1	2	Screw Unf
	353446X1	2	Lock Washer
18	19575X1	4	Lubricant
19	376790X1	4	Adaptor
20	376793X1	4	Nut Bsp
21	376794X1	4	Nut
22	376792X1	1	Adaptor
23	376792X1	1	Adaptor
24	376790X1	1	Adaptor
25	376793X1	1	Nut Bsp
26	376794X1	1	Nut
27	895713M1	1	Tube
28	376797X1	1	Nut
29	376791X1	1	Connection
30	376797X1	1	Nut
31	895715M1	1	Tube
32	794552M1	1	Tube
33	376797X1	1	Nut
34	376795X1	1	Adaptor
35	376797X1	1	Nut
36	376792X1	1	Adaptor
37	376794X1	1	Nut
38	794536M1	1	Bracket
39	376793X1	1	Nut Bsp
40	376790X1	1	Adaptor
41	376797X1	1	Nut
42	376797X1	1	Nut
43	794537M1	1	Bearer
44	376793X1	1	Nut Bsp
45	376794X1	1	Nut
46	895718M1	1	Tube
47	376797X1	1	Nut
48	376796X1	8	Olive
49	376792X1	1	Adaptor
50	658132M1	1	Decal

60

COMMANDE D'EMBRAYAGE DE BATTAGE
 DRESCHTROMMELANTRIEB
 MANDO DE L'EMBRAGE DEL CILINDRO DE TRILLA
 SEPARATOR CLUTCH CONTROL

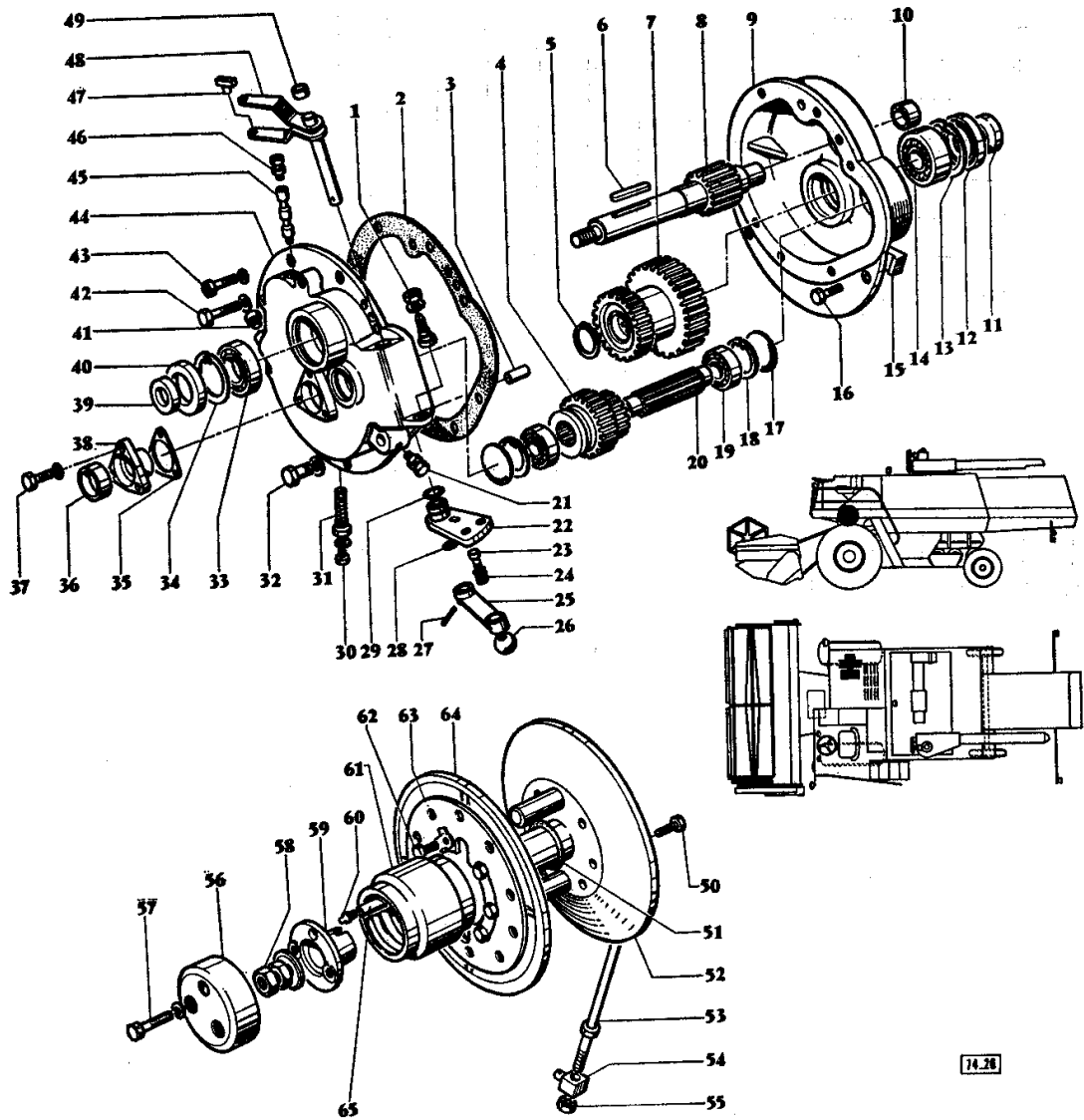


SEPARATOR CLUTCH

Item	Part Number	Qty	Description	Comments
1	230629M1	1	Housing	
2	832316M1	1	Bearing	
3	230832M1	1	Cage	
4	243919M91	1	Pulley	INCL. REF. 4
	353690X1	6	Screw Unc	
	353756X1	6	Washer	
	243752M1	1	Shield	
	227351M1	2	Pin	
5	1009654M1	1	Seal	
6	243920M91	1	Pulley	INCL. REF. 6
	353698X1	6	Screw Unc	
	243752M1	1	Shield	
	226978M1	1	Hub	
7	230378M1	1	Washer	
8	832452M1	1	Nut	
9	353561X1	1	Screw Unf	
12	910439M92	1	Stem	
13	233964M1	1	Sprocket	Number of teeth/spines 24
14	234986M1	1	Bearer	
15	911341M91	1	Lever	
	832563M1	2	Bearing	
16	911345M91	1	Lever	
	832563M1	2	Bearing	
17	230630M1	1	Shaft	
18	832012M1	X	Shim	
19	832106M1	2	Washer	
21	230990M91	1	Pivot	
22	338482X1	4	Nut	
25	240463M1	4	Shaft	
26	233971M1	1	Sprocket	Number of teeth/spines 8
27	222563M1	1	Washer	
28	832576M1	1	Bush	
29	233967M91	1	Crank	
31	360358X1	2	Screw	
35	914421M1	1	Tensioner	
36	354248X1	1	Bolt	
37	353439X1	1	Lock Washer	
38	353437X1	1	Nut Unf	
46	13223X	1	Nipple	
47	354061X1	1	Pin	
48	354080X1	2	Pin	
49	360565X1	1	Key	
50	353478X1	2	Groove Pin	
52	353516X1	1	Screw Unf	
53	353446X1	1	Lock Washer	
54	353560X1	3	Screw Unf	
55	353432X1	4	Lock Washer	
56	354057X1	1	Pin	
57	353773X1	1	Washer	

BOITE DE VITESSES DU BATTEUR
 DESCHTROMMELANTRIEB
 TRANSMISION DEL CILINDRO DE TRILLA
 CYLINDER DRIVE ARRANGEMENT

63



CYLINDER DRIVE ARRANGEMENT

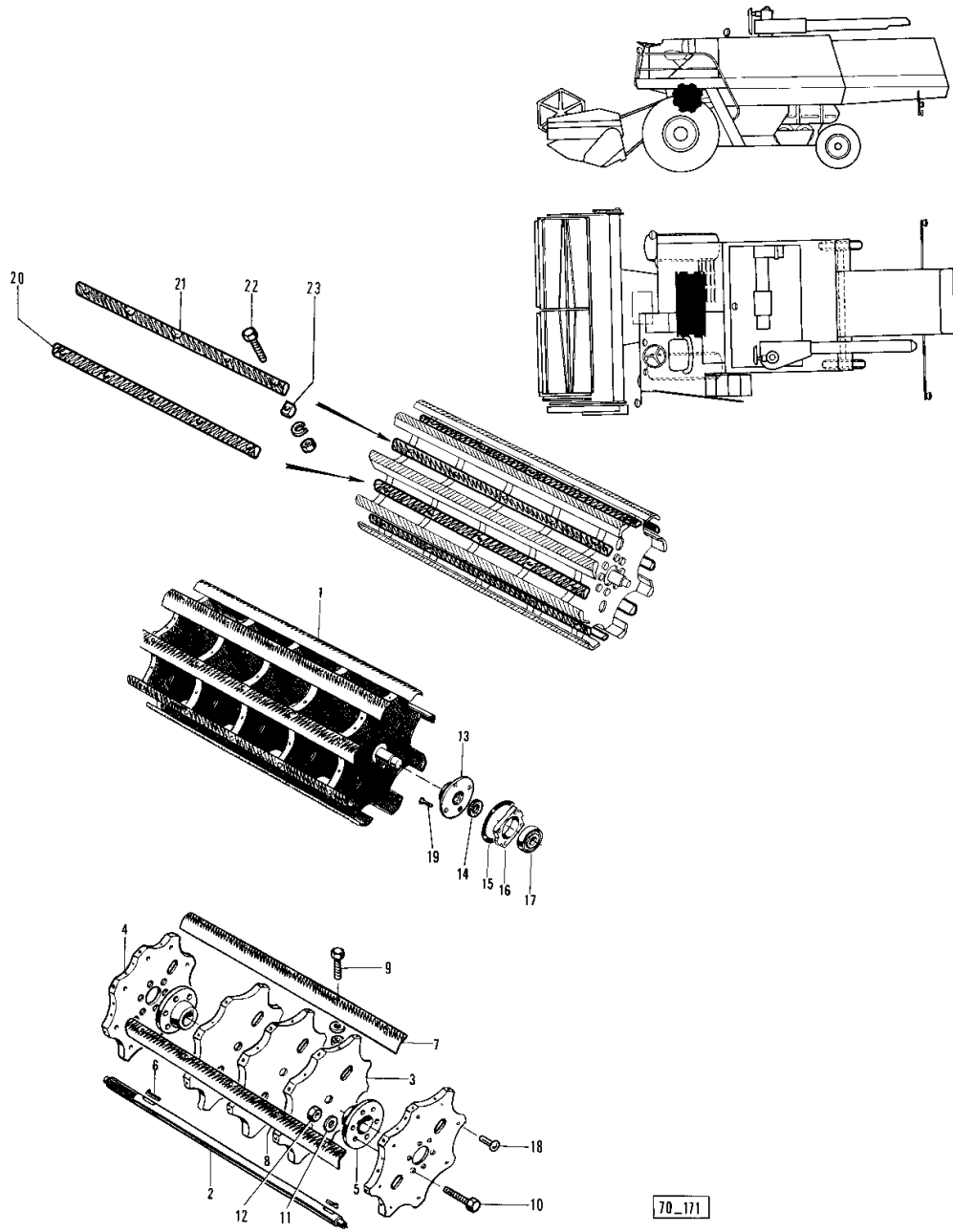
Item	Part Number	Qty	Description	Comments
	797400M91	1	Gearbox	INCL. 1 TO 64, 1 TO 6, PAGE 63
1	417368M1	1	Screw	
	339433X1	1	Nut Metric	
	339376X1	1	Lock Washer	
2	782819M1	1	Gasket	
3	339675X1	2	Pin	
4	782822M1	1	Gear	Number of teeth/spines 27-17
5	339820X1	1	Circlip	
6	377255X1	1	Key	
7	417354M1	1	Gear	Number of teeth/spines 40-30
8	782839M1	1	Shaft	Number of teeth/spines 18
9	782818M1	1	Housing	(A)
	914986M1	1	Housing	(B)
10	415587M1	2	Bearing	
11	417356M1	1	Ring	
12	417355M1	1	Washer	
13	1440516X1	1	Circlip	
14	391570X1	1	Bearing	
15	417371M1	3	Clamp	(A)
	1615851M1	3	Clamp	(B)
16	391561X1	2	Screw Metric	(A)
	391112X1	2	Bolt Metric	(B)
	338690X1	2	Washer	(B)
17	390238X1	2	Plug	
18	1440479X1	2	Circlip	
19	1440494X1	2	Bearing Ball	
20	782821M1	1	Shaft	Number of teeth/spines 17
21	1442863X1	1	Screw Metric	
	390345X1	1	Nut Metric	
22	417791M1	1	Bush	
23	417789M1	1	Plunger	
24	1706000X1	1	Spring	
25	417790M1	1	Lever	
26	415756M1	1	Knob	
27	390538X1	1	Roll Pin	
28	391724X1	1	Ring	
29	391156X1	1	Seal	
30	356039X1	1	Plug	
31	792667M91	1	Plug	
32	782823M1	1	Pin	
33	598759M1	1	Bearing	
34	339437X1	1	Circlip	
35	782980M1	1	Gasket	
36	415587M1	1	Bearing	
37	391947X1	3	Bolt Metric	
	339374X1	3	Lock Washer	
38	784068M1	1	Housing	
39	415574M1	1	Spacer	
40	793411M1	1	Seal	
41	391562X1	1	Plug	
42	339269X1	1	Bolt Metric	(A)
	339376X1	1	Lock Washer	(A)
	391904X1	1	Bolt Metric	(B)
	338690X1	1	Washer	(B)
43	1441436X1	4	Screw Metric	
	390580X1	1	Screw Metric	
	391241X1	6	Washer	
44	782820M1	1	Housing	(A)
	914985M1	1	Housing	(B)
45	417369M1	1	Extension	
	190729M91	1	Breather	
47	417362M1	2	Block	
48	782825M91	1	Finger	
49	391563X1	1	Plug	
50	353537X1	6	Screw Unf	
	353756X1	6	Washer	
	243753M1	2	Plate	
51	195565M1	1	O Ring	
52	240806M93	1	Pulley	INCL REF. 50

CYLINDER DRIVE ARRANGEMENT

Item	Part Number	Qty	Description	Comments
53	787660M2	1	Rod	
54	226995M1	1	Pin	(A)
	914982M1	1	Block	(B)
	354059X1	1	Pin	
55	375099X1	2	Nut Unc	
	353760X1	2	Flat Washers	
56	794572M91	1	Cup	
57	362414X1	2	Bolt	
	353446X1	2	Lock Washer	
58	353436X1	2	Nut Unf	
	361067X1	1	Washer	
59	794579M2	1	Retainer	
60	13811X	1	Grease Nipple	
61	226991M91	1	Housing	
62	353541X1	6	Bolt Unf	
	243753M1	2	Plate	
63	240400M1	2	Plate	
64	243921M91	1	Pulley	INCL. REF. 60, 62
65	1615138M91	1	Tube	INCL. REF. 1615139M1
	1615139M1	1	Tube	

(A)
Up to Serial or Engine Number 15601
(B)
From Serial or Engine Number 15602

BATTEUR
 DRESCHROMMEL
 CILINDRO DE TRILLA
 CYLINDER ARRANGEMENT



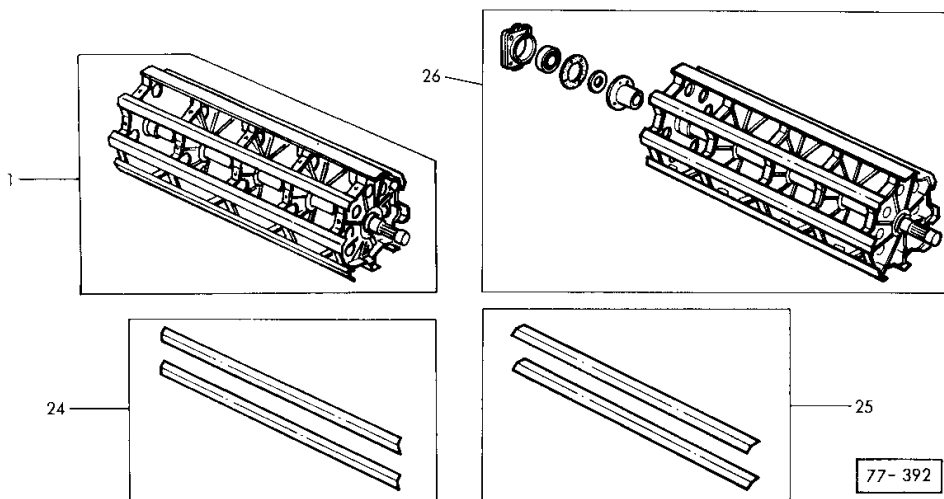
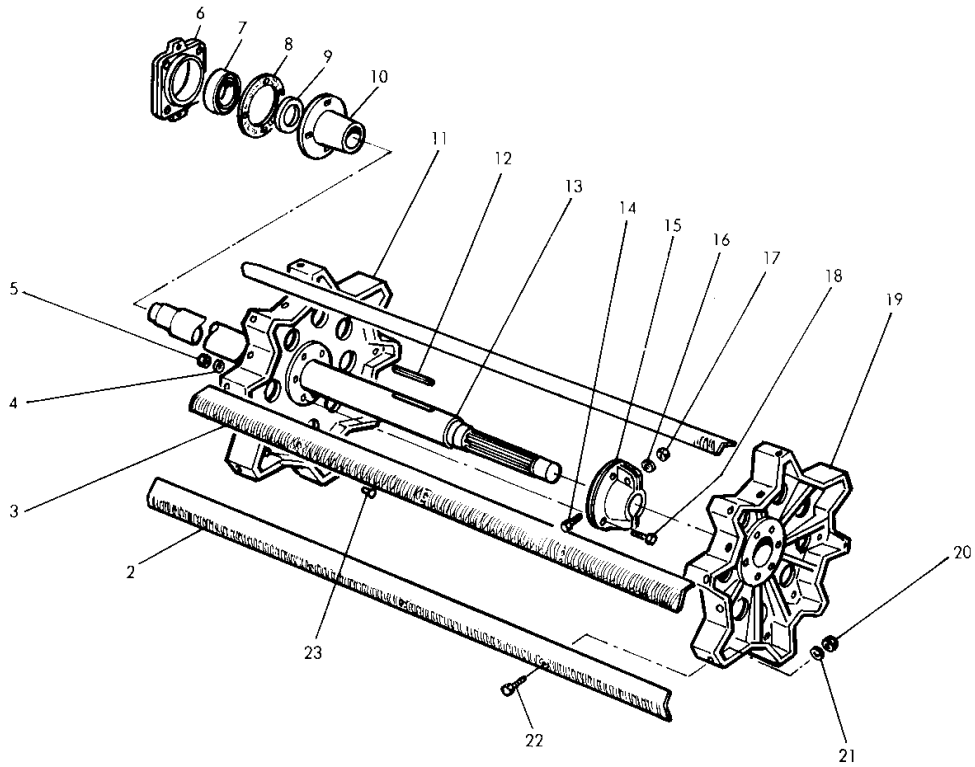
70_171

CYLINDER ARRANGEMENT

Item	Part Number	Qty	Description	Comments
1	912557M95	1	Beater	INCL. REF. 2-12, 18
2	617982M2	1	Shaft	
3	243037M1	3	Flange	
4	233030M1	2	Support	
5	233029M1	2	Hub	
6	338680X1	2	Key Door	
7		4	Bar	Left Hand (B)
	914959M92		Kit, Beater Bar	
8		4	Bar	Right Hand (C)
	914958M92	X	Kit, Beater Bar	
9	338658X1	40	Screw	
10	361529X1	12	Bolt	
11	784700M1	40	Washer	
12	338600X1	52	Nut Unf	
13	234292M1	1	Cover	
14	832868M1	1	Washer	
15	234294M1	1	Gasket	
16	234291M2	1	Bearing Carrier	
17	831783M1	1	Bearing	
18	203418M1	X	Rivet	(A) 2.40" X 3.90" X 6.90"
	203417M1	X	Rivet	(A) 3.00 X 3.90" X 6.90"
	203381M1	X	Rivet	(A) 3.60 X 3.90" X 6.90"
	203382M1	X	Rivet	(A) 3.90" X 3.90" X 6.90"
	203383M1	X	Rivet	(A) 4.80" X 3.90" X 6.90"
	203384M1	X	Rivet	(A) 5.10" X 3.90" X 6.90"
19	353860X1	2	Bolt	
	353439X1	2	Lock Washer	
	353437X1	2	Nut Unf	
20	606799M91	1	Plate	(D) INCL. REF. 20-23
	262527M1	1	Bar	Left Hand (D)
21	262523M1	4	Bar	Right Hand (D)
22	353701X1	40	Screw Unc	(D)
	22465X	40	Lock Washer	(D)
	355645X1	40	Nut Unc	(D)
23	262531M1	40	Spacer	(D) (A) FOR BALANCING (B) Not serviced, order 911671M91 (C) Not serviced, order 911670M91 (D) MAIZE

67A

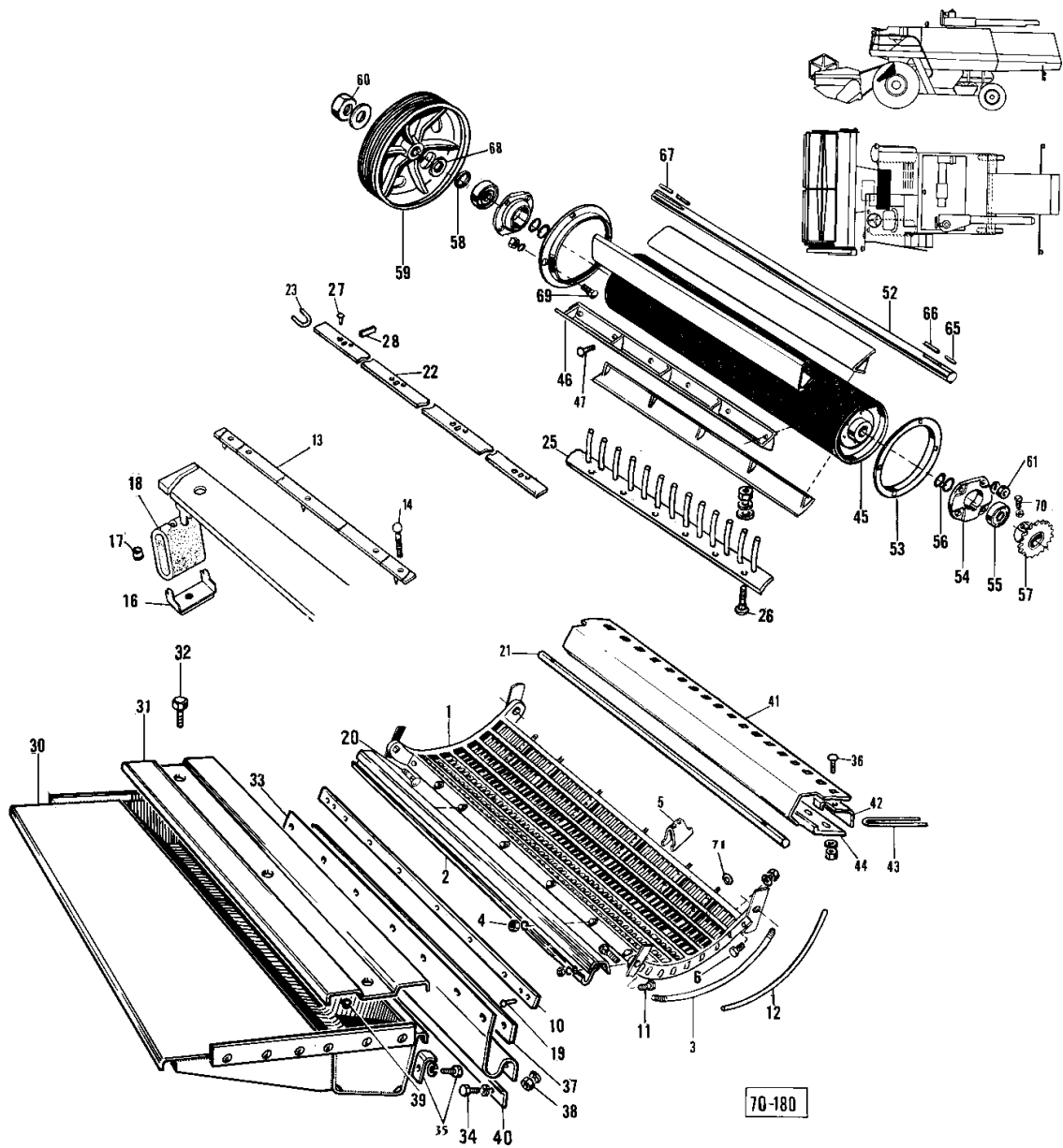
BATTEUR HAUTE INERTIE
 DAEMPFER ZYLINDER
 CILINDRO DE ALTA INERCIA
 HIGH INERTIA CYLINDER



HIGH INERTIA CYLINDER

Item	Part Number	Qty	Description	Comments
1	914805M94	1	Cylinder	
2		4	Bar	Left Hand (B)
3		4	Bar	Right Hand (C)
4	353439X1	12	Lock Washer	
5	375098X1	12	Nut Unc	
6	793833M1	1	Housing	(A)
	234291M2	1	Bearing Carrier	
7	831783M1	1	Bearing	
8	234294M1	1	Gasket	
9	832868M1	1	Washer	
10	234292M1	1	Cover	
11	914731M3	2	Support	
12	366886X1	2	Key	
13	914734M2	1	Shaft	
14	353727X1	2	Screw Unc	
15	914733M2	2	Hub	
16	353433X1	2	Lock Washer	
17	375099X1	2	Nut Unc	
18	353725X1	12	Bolt Unc	
19	914732M3	2	Support	
20	338864X1	32	Nut	
21	368385X1	32	Washer	
22	367935X1	32	Bolt Unc	
23	203418M1	1	Rivet	
	203417M1	1	Rivet	
	203381M1	1	Rivet	
	203382M1	1	Rivet	
	203383M1	1	Rivet	
	203384M1	1	Rivet	
	1615830M1	1	Rivet	
	1615831M1	6	Rivet	
24	914959M92	2	Kit, Beater Bar	
25	914958M92	2	Kit, Beater Bar	
26	797516M91	1	Beater	INCL. REF. 1,6,7,8,9,10 (A) U.K. ONLY (B) Not serviced, order 914959M92 (C) Not serviced, order 914958M92

CONTRE BATTEUR-TAMBOUR DEFLECTEUR-BAC A PIERRES
 DRESCHKORB-HINTERER SCHLAEGER UND STEINFANGHULDE
 CONCAVO-BATIDOR TRASERO, TREPIA DE LOS PIEDRAS
 CONCAVL-REAR BEATER-STONE TRAP



MASSEY FERGUSON

MF 520/525 COMBINES - 1646022

1646022

CONCAVE, REAR BEATER, STONE TRAP

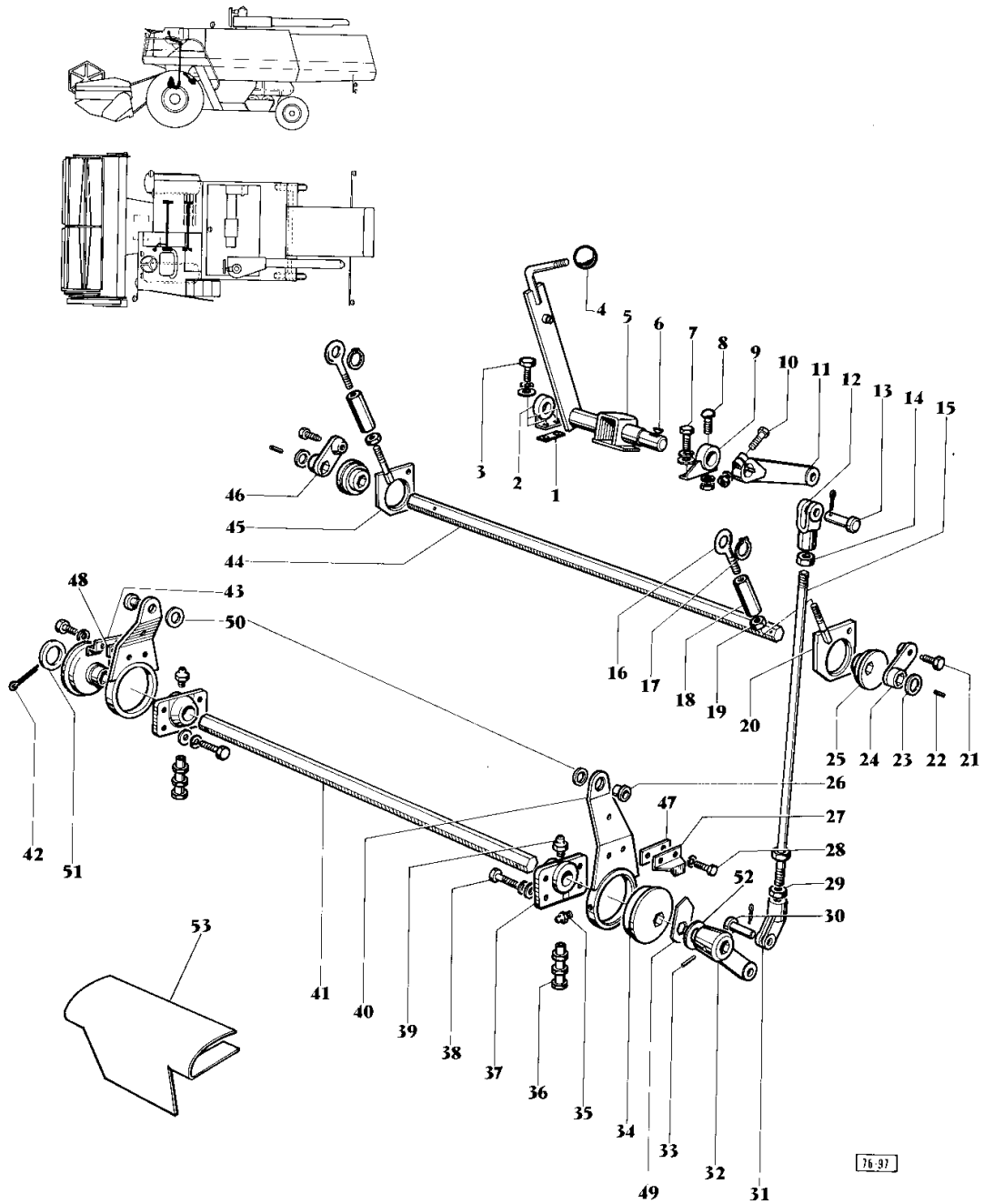
68

Item	Part Number	Qty	Description	Comments
1	606830M95	1	Concave	(A) INCL. REF. 2-12, 20
	606832M94	1	Concave	(B) INCL. REF. 2-12, 29, 20
2	606827M93	1	Bearer	(A)
	606828M92	1	Bearer	(B)
3	606859M2	6	Stem	(A, B)
4	353426X1	12	Nut Unf	(A, B)
	353432X1	12	Lock Washer	(A, B)
5	912573M1	60	Spacer	(A, B)
6	353521X1	2	Bolt Unf	(A, B)
	353446X1	2	Lock Washer	(A, B)
	353916X1	2	Nut Unf	(A, B)
10	912597M1	1	Plate	(B)
11	353523X1	2	Bolt Unf	(A, B)
	353755X1	2	Washer	(A)
	353446X1	2	Lock Washer	(B)
	22756X	2	Lock Washer	(A)
	353916X1	2	Nut Unf	(A, B)
12	912579M1	51	Stem	(A)
	912581M1	44	Stem	(B) 7/32"
	912584M1	43	Stem	(B) 1/4"
13	784147M92	2	Plate	(B) INCL. REF. 13-18
14	376430X1	6	Bolt Unf	(A)
16	793526M91	6	Plate	(A)
17		12	Eye Bolt	(A, C)
18		6	Rubber	(A, C)
19	16867X	5	Rivet	(B)
20	832115M1	2	Bolt	(A, B)
	353433X1	2	Lock Washer	(A, B)
	353427X1	2	Nut Unf	(A, B)
21	619683M2	1	Clevis Pin	(A, B)
22	784118M91	2	Bar	(B) INCL. REF. 27, 28
23	250195M1	6	Clamp	(B)
25	230296M1	5	Spike	(B) INCL. REF. 26
26	353810X1	30	Bolt Unf	(A, B, D)
	353756X1	30	Washer	(A, B, D)
	353434X1	30	Lock Washer	(A, B, D)
	353431X1	30	Nut Unf	(A, B, D)
27	19989X	6	Rivet	(B)
28	598528M1	6	Key	(B)
30	606844M92	1	Pan	(B) INCL. REF. 39
31	795150M1	1	Cover	(A, B)
32	354498X1	3	Bolt Unf	(A, B)
	353446X1	3	Lock Washer	(A, B)
33	606847M3	1	Curtain	(A, B)
34	353517X1	10	Screw Unf	(A, B)
	353446X1	10	Lock Washer	(A, B)
35	606862M2	2	Strap	(A, B)
	353517X1	2	Screw Unf	(A, B)
36	353796X1	19	Bolt Unf	(A, B)
	353446X1	19	Lock Washer	(A, B)
	353916X1	19	Nut Unf	(A, B)
37	606869M1	1	Plate	(A, B)
38	353916X1	7	Nut Unf	(A, B)
	353446X1	7	Lock Washer	(A, B)
39	359363X1	2	Plug	(A, B)
40	606846M2	1	Anglepiece	(A, B)
41	1615331M1	1	Bearer	(A, B)
42	606860M1	1	Guide	(A, B)
43	784829M1	27	Tine	(A, B)
44	606858M1	1	Catch	(A, B)

CONCAVE, REAR BEATER, STONE TRAP

Item	Part Number	Qty	Description	Comments
45	619280M91	1	Drum	(A, B)
46	619291M93	5	Blade Fan	(A, B)
				INCL. REF. 47
47	353808X1	30	Bolt Unf	(A, B)
	353756X1	30	Washer	(A, B)
	353434X1	30	Lock Washer	(A, B)
	353431X1	30	Nut Unf	(A, B)
52	789919M1	1	Shaft	(A, B)
53	240786M1	2	Shield	(A, B)
54	913889M1	2	Bearing Carrier	(A, B)
55	338476X1	2	Bearing Assy	(A, B)
56	795070M1	AR	Shim	(A, B)
57	912559M92	1	Sprocket	(A, B)
				Number of teeth/spines 18
58	619407M1	2	Washer	(A, B)
59	619802M1	1	Pulley	(A, B)
60	789916M1	1	Nut	(A, B)
	789915M1	1	Washer	(A, B)
61	353437X1	8	Nut Unf	(A, B)
	353439X1	8	Lock Washer	(A, B)
65	598530M1	1	Key	(A, B)
66	353186X1	2	Key Parallel	(A, B)
67	659191M1	1	Key	(A, B)
68	912692M1	AR	Washer	(A, B)
69	240789M1	8	Bolt	(A, B)
	353446X1	8	Lock Washer	(A, B)
	353916X1	8	Nut Unf	(A, B)
70	353747X1	2	Screw Unc	(A, B)
	375110X1	2	Nut Unc	(A, B)
71	784828M1	8	Spacer	(A, B)
				(A)
				CONCAVE FIXED WIRES
				(B)
				CONCAVE WIRES IN PLACE BUT REMOVABLE
				(C)
				Not serviced, order 784147M92
				(D)
				FOR COMBINE WITH CORN HEADER

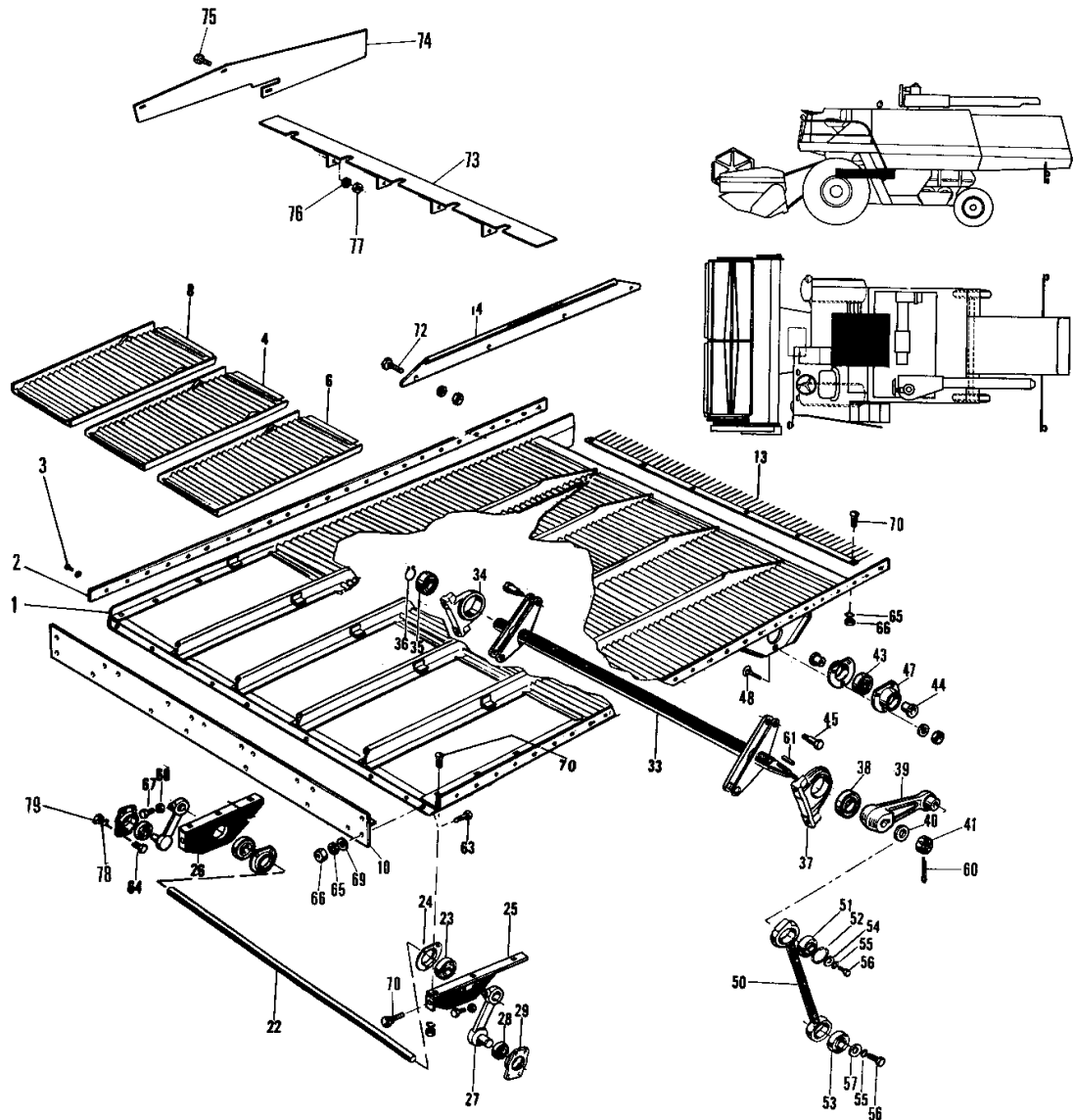
REGLAGE DU CONTRE BATTEUR
 DRESCHKORBVERSTELLUNG
 REGULACION DEL CONCAVO
 CONCAVE ADJUSTMENT



CONCAVE ADJUSTMENT

Item	Part Number	Qty	Description
1	619322M1	2	Plate
2	227957M91	1	Bearing
3	353518X1	2	Screw Unf
	353755X1	4	Washer
	353446X1	2	Lock Washer
	353916X1	2	Nut Unf
4	205612M1	1	Knob
5	910130M91	1	Lever
6	794697M1	1	Key Door
7	353519X1	1	Screw Unf
	353755X1	1	Washer
	353446X1	1	Lock Washer
8	353794X1	1	Bolt Unf
	353446X1	1	Lock Washer
	353916X1	1	Nut Unf
9	794699M91	1	Bearing Carrier
10	353568X1	1	Bolt Unf
	353432X1	1	Lock Washer
	353426X1	1	Nut Unf
11	794692M1	1	Lever
12	233440M1	1	Clevis
13	831958M1	1	Pin
	354048X1	1	Pin
14	353436X1	1	Nut Unf
15	243989M91	1	Stem
16	619673M1	2	Bolt
17	352980X1	2	Ring
18	619674M3	2	Nut
19	353438X1	2	Nut Unf
20	619689M1	1	Bracket
21	619680M1	2	Screw
	330799X1	2	Washer
22	355708X1	2	Pin
23	330789X1	4	Washer
24	619681M1	1	Lever
25	619687M2	2	Eccentric
26	365307X1	2	Bush
27	911262M1	1	Bracket
28	353677X1	4	Screw Unc
	353446X1	4	Lock Washer
29	357131X1	1	Nut
30	831958M1	1	Pin
	354048X1	1	Pin
31	243991M1	1	Bail
32	911263M1	1	Lever
33	339193X1	1	Pin
34	243996M1	2	Eccentric
35	13811X	2	Grease Nipple
36	365649X1	2	Bolt
	353437X1	4	Nut Unf
37	912339M1	2	Bearing
38	338481X1	8	Screw
	338901X1	8	Washer
39	13533X	2	Grease Nipple
40	1615499M91	2	Arm
41	243994M1	1	Shaft
42	354091X1	1	Pin
43	911261M1	1	Bracket
44	619683M2	1	Clevis Pin
45	619688M91	1	Bearer
46	619826M1	1	Lever
47	606861M1	2	Shim
48	606861M1	2	Shim
49	789925M1	1	Indicator
50	617617M1	2	Spacer
51	360995X1	X	Washer
52	685085M1	4	Washer
53	914903M2	2	Shim

RECEPTEUR A GRAINS
 STUFFENBODEN
 CONJUNT DE BANDEJA DEL GRANO
 GRAIN PAN ARRANGEMENT



78.431

GRAIN PAN ARRANGEMENT

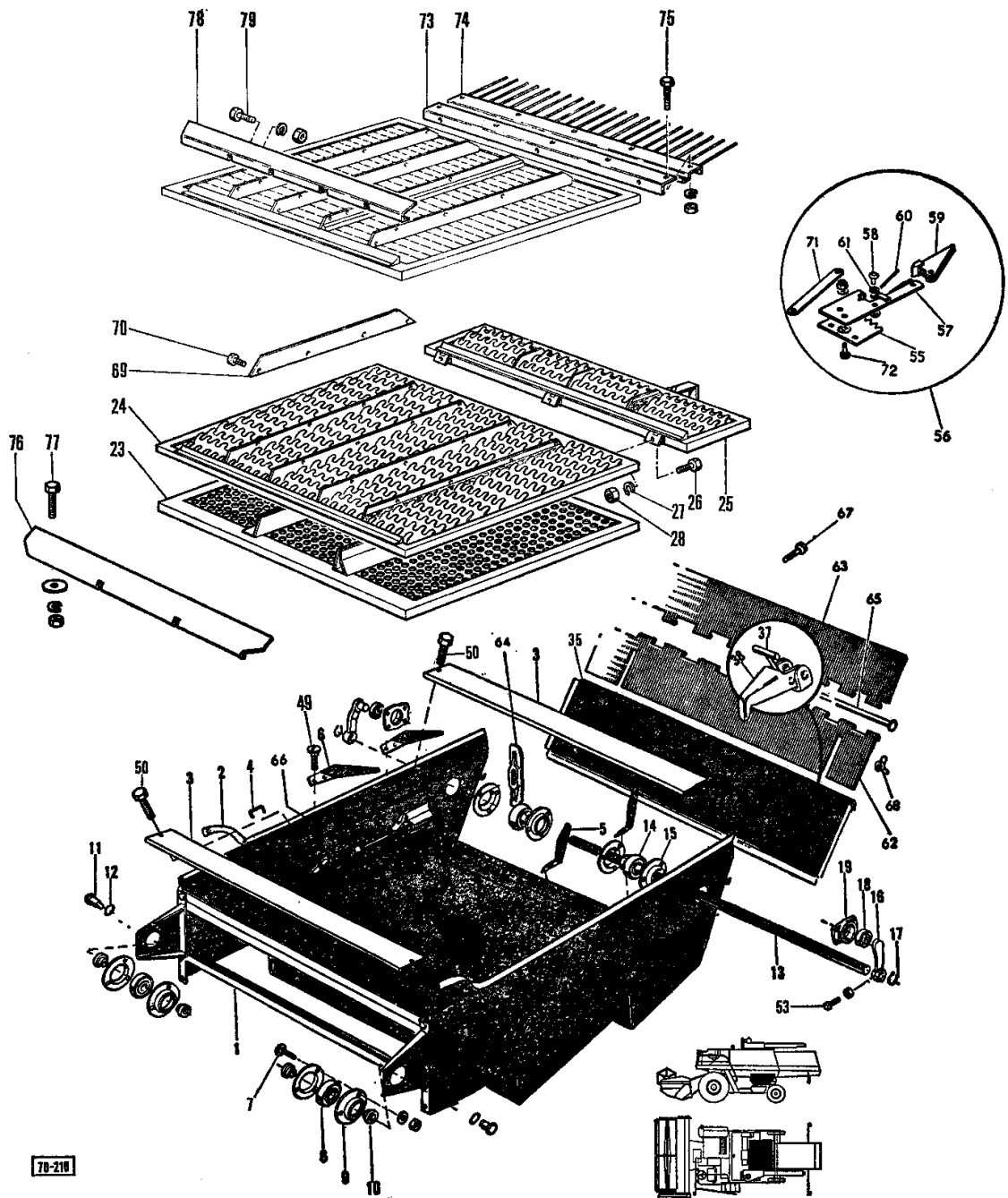
Item	Part Number	Qty	Description	Comments
1	912036M93	1	Pan	INCL. REF. 2,3
2	917138M1	2	Band	
3	338969X1	48	Rivet	
	339362X1	48	Washer	
4	912067M91	3	Panel	
6	912062M91	1	Panel	Left Hand
8	912057M91	1	Panel	Right Hand
10	606840M91	1	Plate	
13	1616353M91	1	Finger	
14	619897M2	4	Panel	
22	226763M1	1	Shaft	
23	353152X1	2	Bearing	
24	831164M1	2	Flange	
	359998X1	6	Bolt Unf	
	353446X1	6	Lock Washer	
	353916X1	6	Nut Unf	
25	912072M2	1	Bracket	Left Hand
26	912071M2	1	Bracket	Right Hand
27	226762M2	2	Arm	
28	339599X1	2	Bearing Ball	
29	226765M1	2	Housing	
33	1616530M91	1	Shaft	
34	617866M1	1	Support	Right Hand
	367950X1	2	Bolt Unf	
	617869M1	2	Washer	
	338690X1	2	Washer	
	366092X1	2	Nut Unf	
35	831087M1	1	Bearing	
36	208221M1	1	Ring	Left Hand
	353950X1	2	Screw	
	617869X1	2	Lock Washer	
	338690X1	2	Washer	
	366092X1	2	Nut Unf	
38	832087M1	1	Bearing	
39	912335M2	1	Conrod	
40	338972X1	1	Washer	
41	353929X1	1	Nut Unf	
43	831112M1	1	Bearing	
44	226912M1	2	Bush	
45	1616533M1	1	Screw	
	917603M1	1	Screw	
47	831838M1	4	Flange	
48	353790M1	6	Screw	
	22756X	6	Lock Washer	
	353917X1	6	Nut Unf	
50	617936M92	1	Conrod	
51	339583X1	1	Bearing Assy	
52	22289X	1	Circlip	
53	1722011M1	1	Bearing Assy	
54	667957M1	1	Washer	
55	353432X1	2	Lock Washer	
56	353699X1	2	Screw Unc	
57	794663M1	1	Washer	
60	375090X1	1	Pin	
61	352958X1	1	Key Parallel	
63	353517X1	8	Screw Unf	
64	353520X1	8	Bolt Unf	
65	353755X1	5	Washer	
66	353916X1	5	Nut Unf	
67	355208X1	2	Screw Unc	
68	375110X1	2	Nut Unc	
69	353755X1	8	Washer	
70	353791X1	8	Bolt Unf	
	22756X	8	Lock Washer	
	353916X1	8	Nut Unf	
72	353990X1	4	Screw Unc	
	353754X1	8	Washer	
	354121X1	4	Nut	
73	1615150M91	1	Bearer	
74	914691M1	4	Extension	

GRAIN PAN ARRANGEMENT

Item	Part Number	Qty	Description	Comments
75	353502X1	4	Screw Unf	
76	353754X1	8	Washer	
77	353918X1	4	Nut Unf	
78	353446X1	8	Lock Washer	
79	535916X1	8	Nut	

COFFRE DE NETTOYAGE
 REINIGUNG
 ZARANDA DE CRIBAS
 SHAKER SHOE

79



79-210

SHAKER SHOE

Item	Part Number	Qty	Description	Comments
				Up to Serial or Engine Number 13608 PETERSEN CLOSZ
1	910422M92	1	Boot	INCL. REF. 2, 4, 37, 38
2	250880M1	2	Strip	
3	243040M1	2	Deflector	
4	338627X1	24	Rivet	
	339362X1	24	Washer	
5	910417M1	2	Deflector	(A)
6	910418M1	2	Deflector	(A)
7	353790X1	6	Bolt	
	22756X	6	Lock Washer	
	353917X1	6	Nut Unf	
8	417850M1	2	Bearing Assy	
9	22286X	4	Flange	
10	226912M1	4	Bush	
11	226766M1	2	Stud	
12	359406X1	2	Washer	
13	226775M1	1	Shaft	
14	22285X	2	Bearing	
15	22286X	4	Flange	
	353446X1	6	Lock Washer	
	353916X1	6	Nut Unf	
16	229340M1	2	Arm	
17	352980X1	2	Ring	
18	350396X1	2	Bearing	
19	226765M1	2	Housing	
	353446X1	8	Lock Washer	
	353916X1	8	Nut Unf	
23	913756M91	1	Chaffer	Diameter 5/16"
	913758M91	1	Chaffer	Diameter 7/16"
	617699M92	1	Grille	Diameter 5/8"
	234220M91	1	Chaffer	Diameter 3/16"
	913755M91	1	Chaffer	Diameter 1/4"
	913757M91	1	Chaffer	Diameter 3/8"
	913759M91	1	Chaffer	Diameter 1/2"
	913753M91	1	Chaffer	Diameter 3/32"
	792000M92	1	Sieve	CLOSZ
24	793253M91	1	Chaffer	(A) INCL. REF. 55-61 CLOSZ
	793257M91	1	Chaffer	(A) Top PETERSEN
	790502M93	1	Chaffer	INCL. 790503M91, REF. 55-61 PETERSEN
	790503M91	1	Chaffer	Top PETERSEN
	793252M91	1	Grille	(A) INCL. 793256M91, REF. 55-61, 71, 72 CLOSZ
	793256M91	1	Chaffer	Top Top CLOSZ
	790504M93	1	Chaffer	INCL. 790505M91, REF. 55-61, 71, 72 Top CLOSZ
	790505M91	1	Chaffer	Top CLOSZ
25	226757M91	1	Extension	CLOSZ
26	355138X1	3	Screw Unc	
27	353754X1	3	Washer	
28	357553X1	3	Nut Unc	
35	910423M91	1	Gate	
37	230882M91	3	Latch	
38	235576M91	3	Clamp	INCL. 19638

SHAKER SHOE

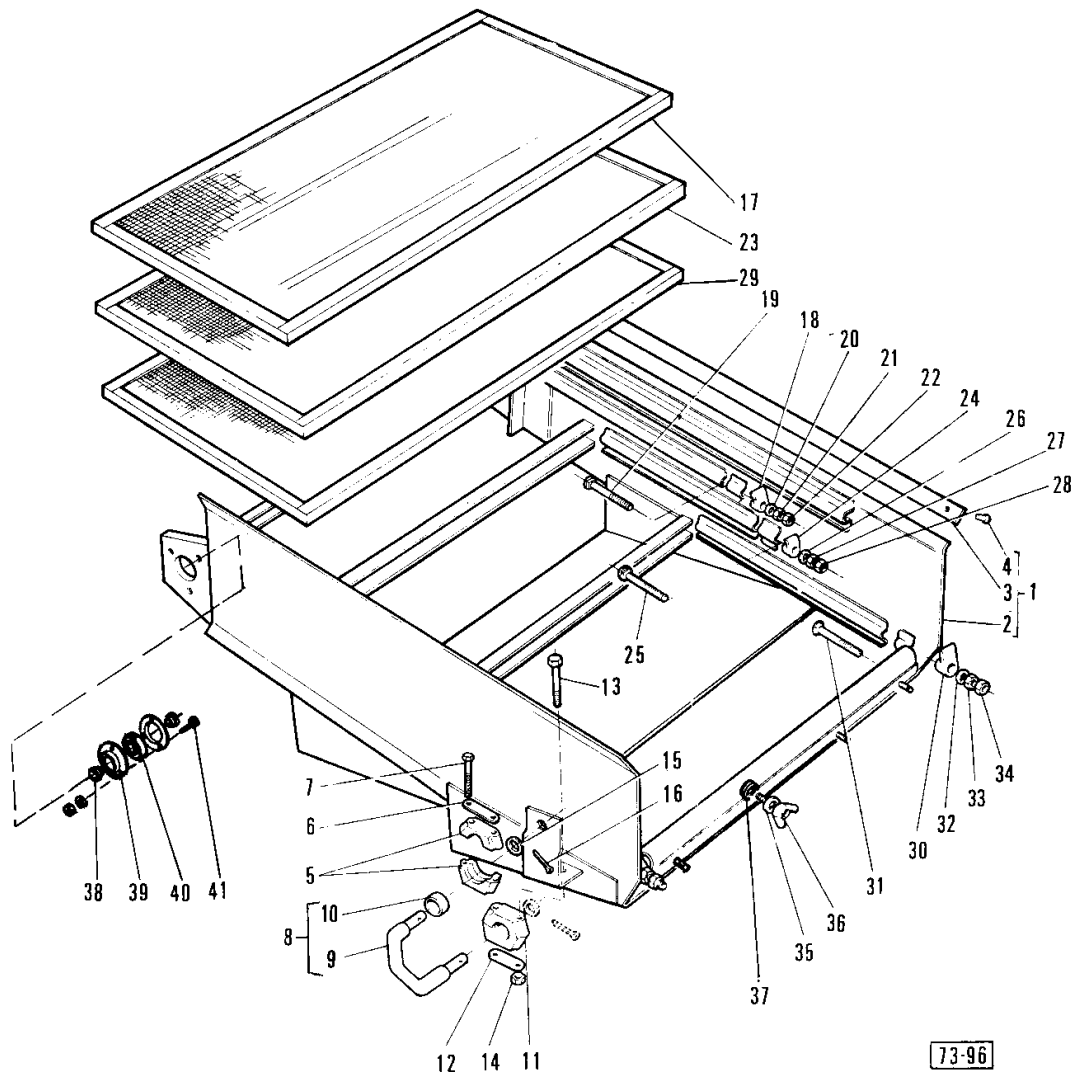
Item	Part Number	Qty	Description	Comments
	19638X	6	Rivet	
				2 GRILLES
49	350123X1	8	Bolt	
50	353515X1	4	Screw Unf	
	353446X1	4	Lock Washer	
	353916X1	4	Nut Unf	
53	355208X1	2	Screw Unc	
	375110X1	2	Nut Unc	
55	637417M91	1	Quadrant	PETERSEN
	791411M91	1	Quadrant	CLOSZ
56	636978M92	1	Lever	INCL. REF. 56-61 PETERSEN
	791404M91	1	Lever	INCL. REF. 51-61 CLOSZ
57	637420M91	1	Handle	PETERSEN
	791403M91	1	Lever	CLOSZ
58	13277X	1	Rivet	
59	636980M91	1	Lever	PETERSEN
	791402M91	1	Handle	CLOSZ
60	636983M1	1	Spring	PETERSEN
	791406M1	1	Spring	CLOSZ
61	353753X1	2	Washer	
62	226738M1	1	Plate	
63	226737M1	1	Plate	
64	226760M1	2	Clamp	
65	360483X1	1	Rod	
66	832298M1	2	Bolt	
	196107M1	2	Washer	
	353426X1	4	Nut Unf	
	354057X1	2	Pin	
67	353983X1	4	Screw Unf	
	353445X1	4	Lock Washer	
	354120X1	4	Nut	
68	363828X1	2	Nut	(B)
	338452X1	2	Nut	(B)
	353446X1	2	Lock Washer	
	355618X1	2	Washer	
69	239061M1	4	Divider	
70	353988X1	16	Screw Unc	
	353441X1	16	Lock Washer	
	354121X1	16	Nut	
71	791407M1	1	Arm	CLOSZ
72	353784X1	2	Bolt Unf	CLOSZ
	353754X1	2	Washer	CLOSZ
	376446X1	2	Nut Unf	CLOSZ
73	417818M1	1	Bracket	(A)
74	913940M91	1	Kit, Extension	(A) INCL. REF. 73-75
	417819M91	1	Extension	(A)
75	390965X1	5	Screw Metric	(A)
	339375X1	5	Lock Washer	(A)
	339030X1	5	Nut Metric	(A)
76	913942M91	1	Deflector	(A) INCL. REF. 77
	913934M1	1	Deflector	(A)
77	361444X1	5	Screw	(A)
	338073X1	5	Washer	(A)
	376719X1	5	Lock Washer	(A)
	363621X1	5	Nut	(A)
78	913955M91	1	Deflector	(A) INCL. REF. 79
	913952M91	1	Deflector	(A)
79	361402X1	4	Screw	(A)
	353441X1	4	Lock Washer	(A)
	363619X1	4	Nut	(A)
	1616246M91	AR	Parts Pack	INCL. REF. 13-23, 35, 50, 53, 62-68 NOT ILLUSTRATED (A) FOR HILYSIDE

SHAKER SHOE

Item	Part Number	Qty	Description	Comments (B) Alternative
------	-------------	-----	-------------	--------------------------------

REF.	N° PIECE	Qté
------	----------	-----

COFFRE DE NETTOYAGE
 SHAKER SHOE
 REINIGUNG
 ZARANDA DE CRIBAS



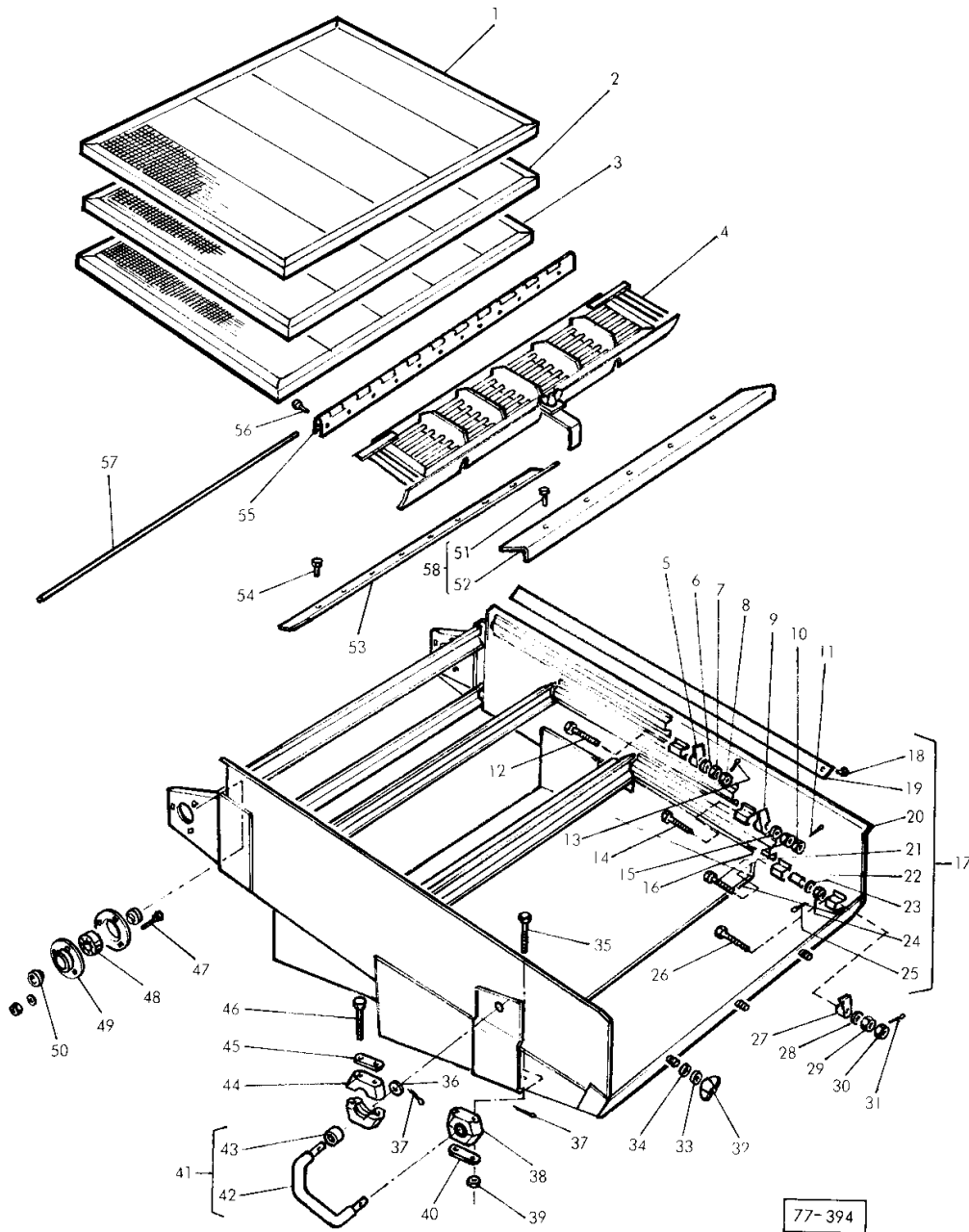
Item	Part Number	Qty	Description	Comments
				3 GRILLES
1	617967M95	1	Boot	
2		1	Shaker	(A)
3	250880M1	2	Strip	
4	338627X1	36	Rivet	
5	204825M1	4	Housing	
6	223999M1	2	Strap	
7	353552X1	4	Bolt Unf	
8	252261M91	2	Hanger	
9		2	Hanger	(B)
10	204824M2	2	Bush	
11	204825M1	4	Housing	
12	223999M1	2	Strap	
13	353552X1	4	Bolt Unf	
14	353431X1	4	Nut Unf	
15	353760X1	2	Flat Washers	
16	354059X1	2	Pin	
17	252259M92	1	Grille	
18	252269M2	2	Clamp	
19	353821X1	2	Bolt Unf	
20	353756X1	2	Washer	
21	353431X1	2	Nut Unf	
22	353430X1	2	Nut Unf	
23	226755M91	1	Sieve	
24	252269M2	2	Clamp	
25	353821X1	2	Bolt Unf	
26	353821X1	2	Bolt Unf	
27	353431X1	2	Nut Unf	
28	353430X1	2	Nut Unf	
29	228136M91	1	Grille	
30	252269M2	2	Clamp	
31	353821X1	2	Bolt Unf	
32	353756X1	2	Washer	
33	353431X1	2	Nut Unf	
34	353430X1	2	Nut Unf	
35	355619X1	3	Washer	
36	355584X1	3	Nut Unf	
37	353434X1	3	Lock Washer	
38	226912M1	4	Bush	
39	834666M1	4	Flange	
40	417850M1	2	Bearing Assy	
41	353536X1	6	Screw Unf	
	22764X	6	Lock Washer	
	353431X1	6	Nut Unf	

(A)
 Not serviced, order 617967M95
 (B)
 Not serviced, order 252261M91

81-C

REF.	N° PIECE	Qté
------	----------	-----

COFFRE DE NETTOYAGE A TROIS GRILLES
 3 REINIGUNG
 ZARANDA DE TRIPLE CRIBA
 TRIPLE SHAKER SHOE



TRIPLE SHAKER SHOE

Item	Part Number	Qty	Description	Comments
1	1615032M91	1	Grille	UPPER Diameter 5
	619760M91	1	Grille	UPPER 8 X 8
	619759M91	1	Grille	UPPER 10 X 10
	619758M91	1	Grille	UPPER 14 X 14
	252259M92	1	Grille	UPPER CLOSZ.
2	1615033M91	1	Sieve	MIDDLE Diameter 5
	619762M92	1	Sieve	MIDDLE 8 X 8
	619761M92	1	Sieve	MIDDLE 10 X 10
	619766M91	1	Sieve	MIDDLE 14 X 14
	226755M91	1	Sieve	MIDDLE
3	1615034M91	1	Sieve	LOWER Diameter 5
	619765M91	1	Sieve	LOWER 8 X 8
	619764M91	1	Sieve	LOWER 10 X 10
	619763M91	1	Sieve	LOWER 14 X 14
	252263M91	1	Sieve	LOWER CLOSZ
4	1615288M92	1	Extension	
5	252269M2	1	Clamp	
6	353756X1	4	Washer	
7	353431X1	2	Nut Unf	
8	353430X1	2	Nut Unf	
9	252269M2	2	Clamp	
10	353430X1	2	Nut Unf	
11	354039X1	2	Cotter	
12	784210M1	2	Bolt	
13	354039X1	2	Cotter	
14	784210M1	2	Bolt	
15	353756X1	4	Washer	
16	353431X1	2	Nut Unf	
17	617967M95	1	Boot	
18	338828X1	34	Rivet	
	339362X1	34	Washer	
19	250880M1	2	Strip	
20		1	Shaker	(A)
21	784210M1	2	Bolt	
22	377358X1	2	Spacer	
23	353434X1	2	Lock Washer	
24	353431X1	2	Nut Unf	
25	354039X1	2	Cotter	
26	784210M1	2	Bolt	
27	252269M2	2	Clamp	
28	353756X1	4	Washer	
29	353431X1	2	Nut Unf	
30	353430X1	2	Nut Unf	
31	354039X1	2	Cotter	
32	355584X1	3	Nut Unf	
33	355619X1	3	Washer	
34	353434X1	3	Lock Washer	
35	353552X1	4	Bolt Unf	
36	353760X1	2	Flat Washers	
37	354059X1	2	Pin	
38	204825M1	4	Housing	
39	353431X1	4	Nut Unf	
40	223999M1	2	Strap	
41	252261M91	2	Hanger	
42		1	Hanger	(B)
43	204824M2	2	Bush	
44	204825M1	4	Housing	
45	223999M1	2	Strap	

TRIPLE SHAKER SHOE

Item	Part Number	Qty	Description	Comments
46	353552X1	4	Bolt Unf	
47	353790X1	6	Bolt	
	22756X	6	Lock Washer	
	353917X1	6	Nut Unf	
48	831112M1	2	Bearing	
49	22286X	4	Flange	
50	226912M1	4	Bush	
51	375398X1	5	Bolt	
	353441X1	5	Lock Washer	
	353918X1	5	Nut Unf	
52	1616363M2	1	Extension	
53	1616152M1	2	Deflector	
54	375398X1	8	Bolt	
	353441X1	8	Lock Washer	
	353918X1	8	Nut Unf	
55	619768M3	1	Hinge	
56	353500X1	24	Screw Unf	
57	619767M1	1	Hinge Rod	
58	1616364M91	1	Kit	

(A)

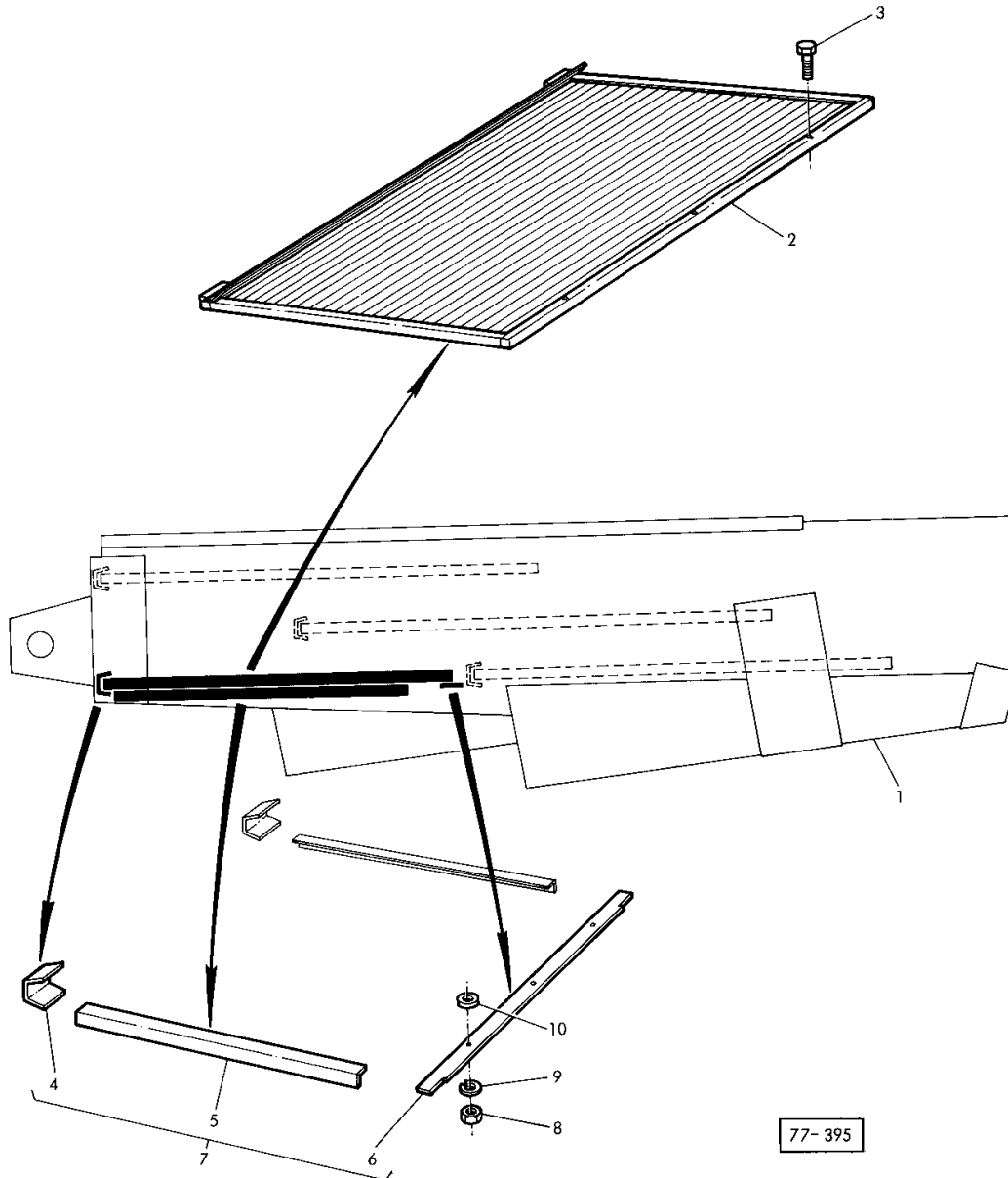
Not serviced, order 617967M95

(B)

Not serviced, order 252261M92

81G

COFFRE DE NETTOYAGE (4 GRILLES)	} N° 15 379 →
REINIGUNG (4 UNTERSIEB)	
ZARANDA DE CRIBAS (4 CRIBAS)	
SHAKER SHOE (4 SCREENS)	



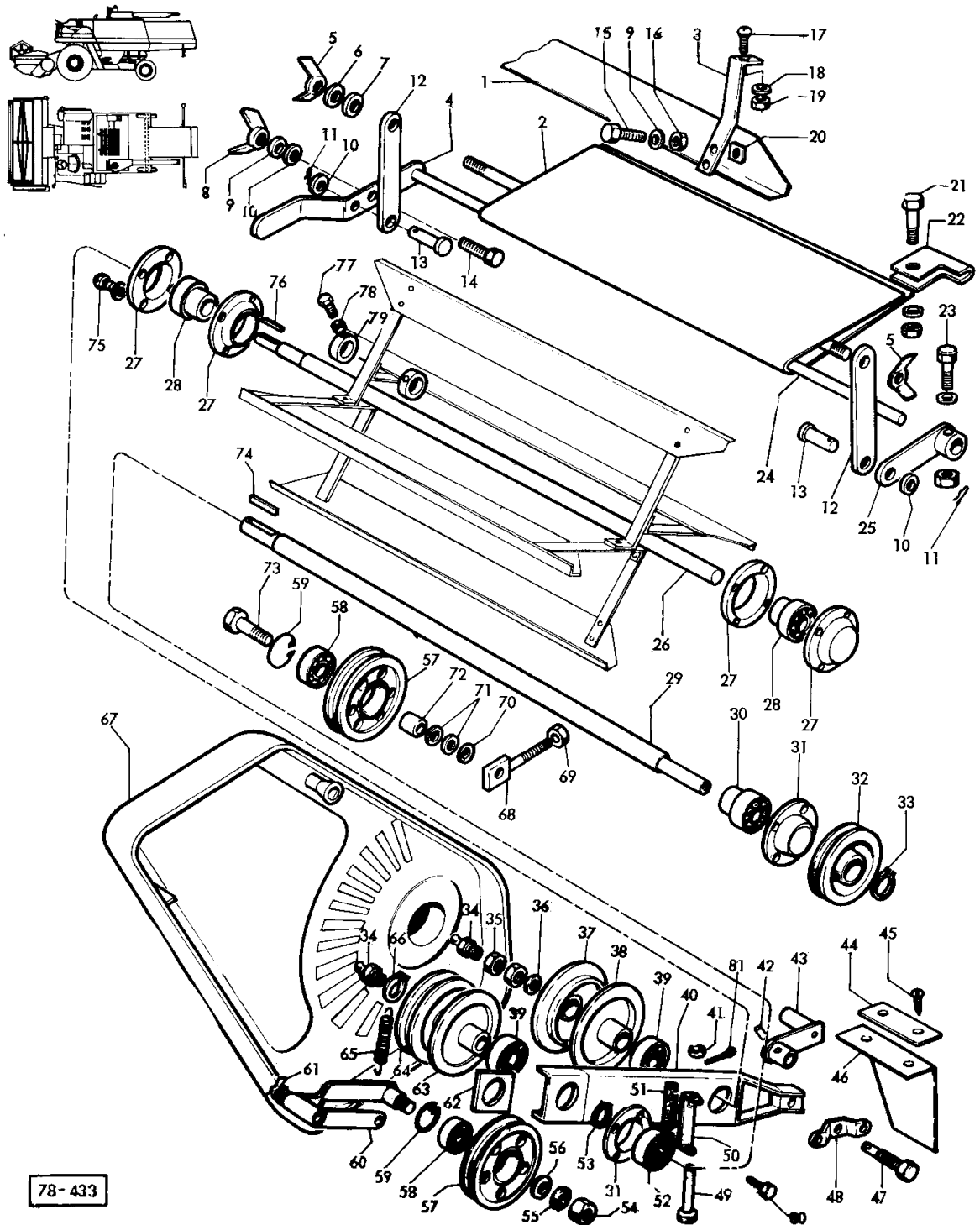
77-395

SHAKER SHOE - 4 SCREENS

Item	Part Number	Qty	Description	Comments
				4 SCREENS From Serial or Engine Number REF. 15379
1		1	Shaker	
2	1616295M91	1	Sieve	LOWER, "TOLARTOIS" 8X8
	1616296M91	1	Sieve	LOWER, "TOLOARTOIS" 8X8
	784872M1	1	Grille	LOWER, "TOLARTOIS" Diameter 5
3	353994X1	3	Screw	
4	784863M1	2	Guide	
5	619506M1	2	Anglepiece	
6	1616166M2	1	Bearer	
7	1616168M92	1	Kit	
8	353564X1	3	Bolt Unf	
9	353441X1	3	Lock Washer	
10	192205M1	3	Spacer	

(A)
See Page - Reference Number 81C

VENTILATEUR DE NETTOYAGE
 GEBLAESE
 VENTILADOR DE TRILLA
 CLEANING FAN



78-433

CLEANING FAN

Item	Part Number	Qty	Description	Comments
1	228500M1	4	Blade Cutter	
2	1616351M1	1	Deflector	
3	228501M1	8	Arm	
4	228510M91	1	Clevis Pin	
5	353918X1	2	Nut Unf	
6	353441X1	2	Lock Washer	
7	353754X1	2	Washer	
8	229419M1	1	Wing Nut	
9	353446X1	2	Lock Washer	
10	353755X1	2	Washer	
11	354057X1	X	Pin	
12	1616352M1	2	Strap	
13	195240M1	2	Pin	
14	364954X1	1	Bolt	
15	353793X1	16	Bolt Unf	
16	353916X1	16	Nut Unf	
17	353811X1	8	Bolt Unf	
18	338831X1	8	Washer	
19	353431X1	8	Nut Unf	
20	598568M1	16	Washer	
21	353791X1	2	Bolt Unf	
	353446X1	2	Lock Washer	
	353916X1	2	Nut Unf	
22	228502M1	2	Bracket	
23	355132X1	1	Screw Unc	
	353753X1	1	Washer	
	353445X1	1	Lock Washer	
	354120X1	1	Nut	
24	228503M91	1	Rod	
25	228504M91	1	Lever	
26	787400M1	1	Shaft	
27	541388M2	4	Flange	(A)
	791385M1	4	Flange	(A)
28	831514M1	2	Bearing Assy	
29	912541M3	1	Shaft	
30	833416M1	1	Bearing Assy	
31	22520X	2	Flange	
32	913818M1	1	Pulley	
33	208505M1	1	Circlip	
34	364461X1	2	Nipple	
35	355647X1	2	Nut Unf	
36	353777X1	1	Washer	
37	228514M1	1	Pulley	(G)
	1855597M1	1	Pulley	(H)
38	913724M1	1	Pulley	(G)
	252778M1	1	Pulley	(H)
39	831134M1	2	Bearing	
40	248849M91	1	Bail	
41	353758X1	1	Washer	
42	195479M1	1	Roll Pin	
43	227973M91	1	Crank	
44	910628M1	1	Plate	(B)
	910629M1	1	Decal	(C)
	910651M1	1	Decal	(D)
	910652M1	1	Plate	(E)
45	360358X1	2	Screw	
46	228742M1	1	Bearer	
	354241X1	2	Bolt Unf	
	353754X1	2	Washer	
	354441X1	2	Screw Unc	
	353918X1	2	Nut Unf	
47	227972M1	1	Bolt	
48	227977M1	1	Bracket	
49	195409M1	1	Pin	
50	227970M1	1	Bracket	
	353792X1	2	Bolt Unf	
	353446X1	2	Lock Washer	
	353916X1	2	Nut Unf	
51	792456M1	1	Shim	
52	831861M1	1	Bearing	

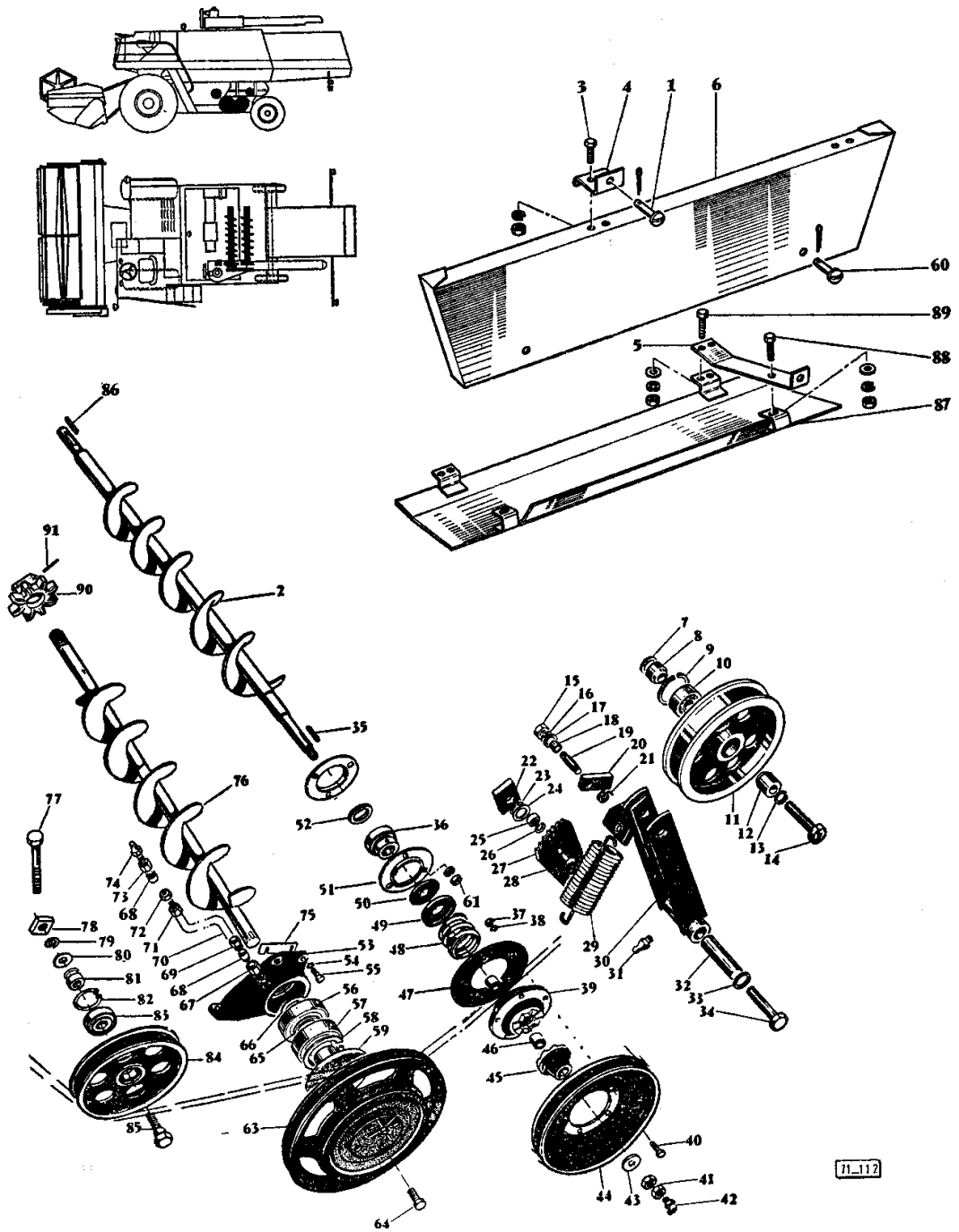
CLEANING FAN

Item	Part Number	Qty	Description	Comments
53	352699X1	1	Ring	
54	353429X1	X	Nut Unf	
55	353433X1	X	Lock Washer	
56	353760X1	X	Flat Washers	
57	213736M1	2	Pulley	
58	22258X	2	Bearing Assy	
59	208230M1	2	Ring	
60	619804M91	1	Arm	
61	354068X1	1	Pin	
	353762X1	1	Washer	
62	248858M1	1	Block	
63	912543M1	1	Pulley	
64	619809M2	1	Pulley	
65	227971M1	1	Spring	
66	358958X1	1	Circlip	
67	784661M92	1	Guard	(F)
68	240460M91	1	Screw	
69	375098X1	1	Nut Unc	
	354068X1	1	Pin	
70	353433X1	X	Lock Washer	
71	353760X1	X	Flat Washers	
72	60039M1	1	Spacer	
73	227964M1	1	Bolt	
74	338974X1	1	Key	
75	353806X1	6	Bolt Unf	
	353434X1	6	Lock Washer	
	353431X1	6	Nut Unf	
76	365580X1	2	Key Door	
77	353285X1	2	Screw Unc	
78	375109X1	2	Nut Unc	
79	360560X1	2	Clamp	
80	359985X1	8	Bolt Unf	
	353439X1	8	Lock Washer	
	353437X1	8	Nut Unf	
81	354066X1	1	Pin	

(A)
Alternative
(B)
IN FRENCH
(C)
IN ENGLISH
(D)
IN DEUTSCH
(E)
IN SPANISH
(F)
GERMANY
(G)
LOW SPEED
SHAHER 2 SCREEN
(H)
HIGH SPEED
SHAHER SCREEN

VIS D'ELEVATEUR A GRAINS ET A OTONS
 KORNERSCHECKE UND UEBERKEHRSCHECKE
 SINFIN DEL ELEVATOR DEL GRANO Y DE GRANZAS
 AUGERS, GRAIN AND RETURN

87



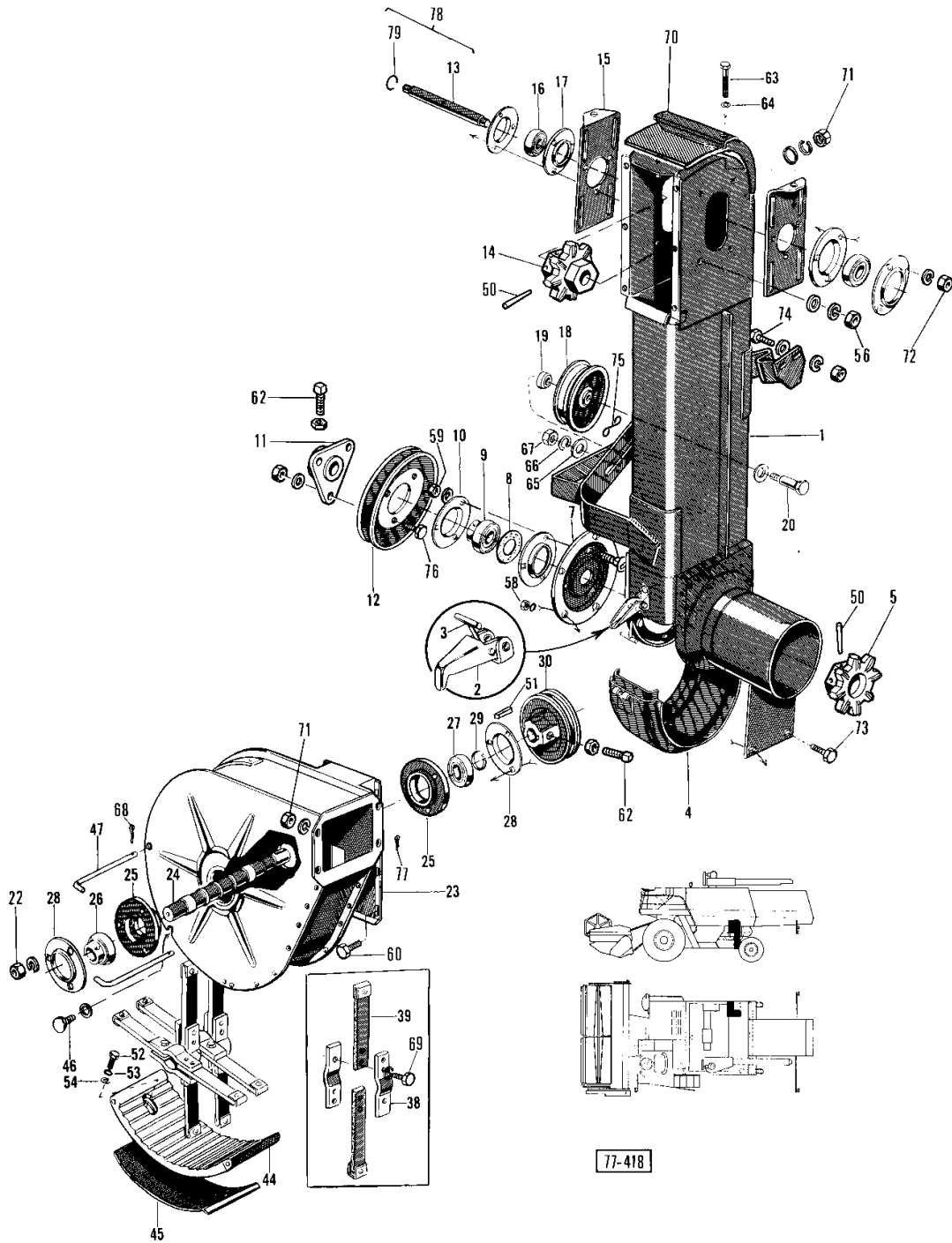
AUGERS, GRAIN AND RETURN

Item	Part Number	Qty	Description	Comments
1	833012M1	2	Stud	
	831786M1	2	Stud	
2	1616386M91	1	Auger	RETURN
3	353517X1	8	Screw Unf	
	353446X1	8	Lock Washer	
	353916X1	8	Nut Unf	
4	912277M91	2	Bearer	INCL. REF. 1
5	910041M91	2	Bracket	
6	912330M91	1	Cowl	INCL. REF. 60
7	353760X1	X	Flat Washers	
8	795185M1	1	Spacer	
9	208230M1	1	Ring	
10	22258X	1	Bearing Assy	
11	910086M1	1	Pulley	
12	795186M1	1	Spacer	
13	353433X1	1	Lock Washer	
14	353621X1	1	Bolt Unf	
15	353431X1	1	Nut Unf	
16	353434X1	1	Lock Washer	
17	353756X1	1	Washer	
18	795183M1	1	Bush	
19	795182M1	1	Stud	
20	913466M1	1	Pawl	
21	795187M1	1	Spring	
22	227974M1	1	Nut	
23	353433X1	1	Lock Washer	
24	353760X1	1	Flat Washers	
25	353916X1	1	Nut Unf	
26	353446X1	1	Lock Washer	
27	910085M1	1	Rack	
28	353794X1	1	Bolt Unf	
29	795190M1	1	Spring	
30	795170M91	1	Bearer	
31	13811X	1	Grease Nipple	
32	795188M1	1	Sleeve	
33	353760X1	1	Flat Washers	
34	353635X1	1	Bolt Unf	
	785344M1	X	Shim	
35	598528M1	1	Key	
36	353134X1	1	Bearing Assy	
37	353916X1	5	Nut Unf	
38	353446X1	5	Lock Washer	
39	913782M93	1	Coupling	INCL. REF. 46
40	353519X1	5	Screw Unf	
41	353429X1	2	Nut Unf	
42	13533X	1	Grease Nipple	
43	353774X1	1	Washer	
	658085M1	3	Washer	
44	1615704M1	1	Pulley	
45	913751M2	1	Coupling	
46	795995M1	1	Bush	
47	228987M1	1	Plate	
48	794933M1	1	Spring	
49	913975M1	1	Washer	
50	230240M1	2	Washer	
51	22691X	2	Flange	
52	240717M1	1	Washer	
53	912337M1	1	Bearing Carrier	
54	353432X1	6	Lock Washer	
55	353561X1	6	Screw Unf	
56	353104X1	1	Bearing	
57	353104X1	1	Bearing	
58	353165X1	1	Circlip	
59	913574M1	1	Hub	
60	832218M1	2	Stud	
	831786M1	2	Stud	
61	353431X1	3	Nut Unf	
	832149M1	3	Bolt	
	353434X1	3	Lock Washer	
63	794925M1	1	Pulley	(B)

AUGERS, GRAIN AND RETURN

Item	Part Number	Qty	Description	Comments
64	353537X1	4	Screw Unf	(B)
	353434X1	4	Lock Washer	
65	794659M1	1	Spacer	
66	762101M1	1	Ring	
67	376795X1	1	Adaptor	
68	376796X1	2	Olive	
69	376797X1	1	Nut	
70	895718M1	1	Tube	
71	376794X1	1	Nut	
72	376793X1	1	Nut Bsp	
73	376790X1	1	Adaptor	
74	598516M1	1	Grease Nipple	
75	795102M1	X	Shim	
76	912280M92	1	Auger	
77	363926X1	1	Bolt	
78	795447M1	1	Nut	
79	353433X1	1	Lock Washer	
80	353760X1	2	Flat Washers	
81	304337M1	1	Spacer	
82	208230M1	1	Ring	
83	22258X	1	Bearing Assy	
84	910086M1	1	Pulley	
85	227964M1	1	Bolt	
86	598533M1	1	Key	
87	606804M91	1	Cowl	(A)
	606522M91	1	Shield	(A)
				INCL. REF. 87 TO 89
88	353503X1	2	Screw Unf	(A)
	353441X1	2	Lock Washer	(A)
	353754X1	2	Washer	(A)
	353918X1	2	Nut Unf	(A)
89	353518X1	4	Screw Unf	(A)
	353755X1	4	Washer	(A)
90	910966M3	1	Pinion	Number of teeth/spines 8
91	339259X1	1	Pin	
				(A)
				FOR MAIZE
				(B)
				EXCEPTED SPAIN

ELEVATEUR ET BATTEUR A OTONS
 VEBERKEHRELEVATOR
 ELEVADOR DE LA GRANO Y RETRILLADOR
 RETURN ELEVATOR



RETURNS ELEVATOR

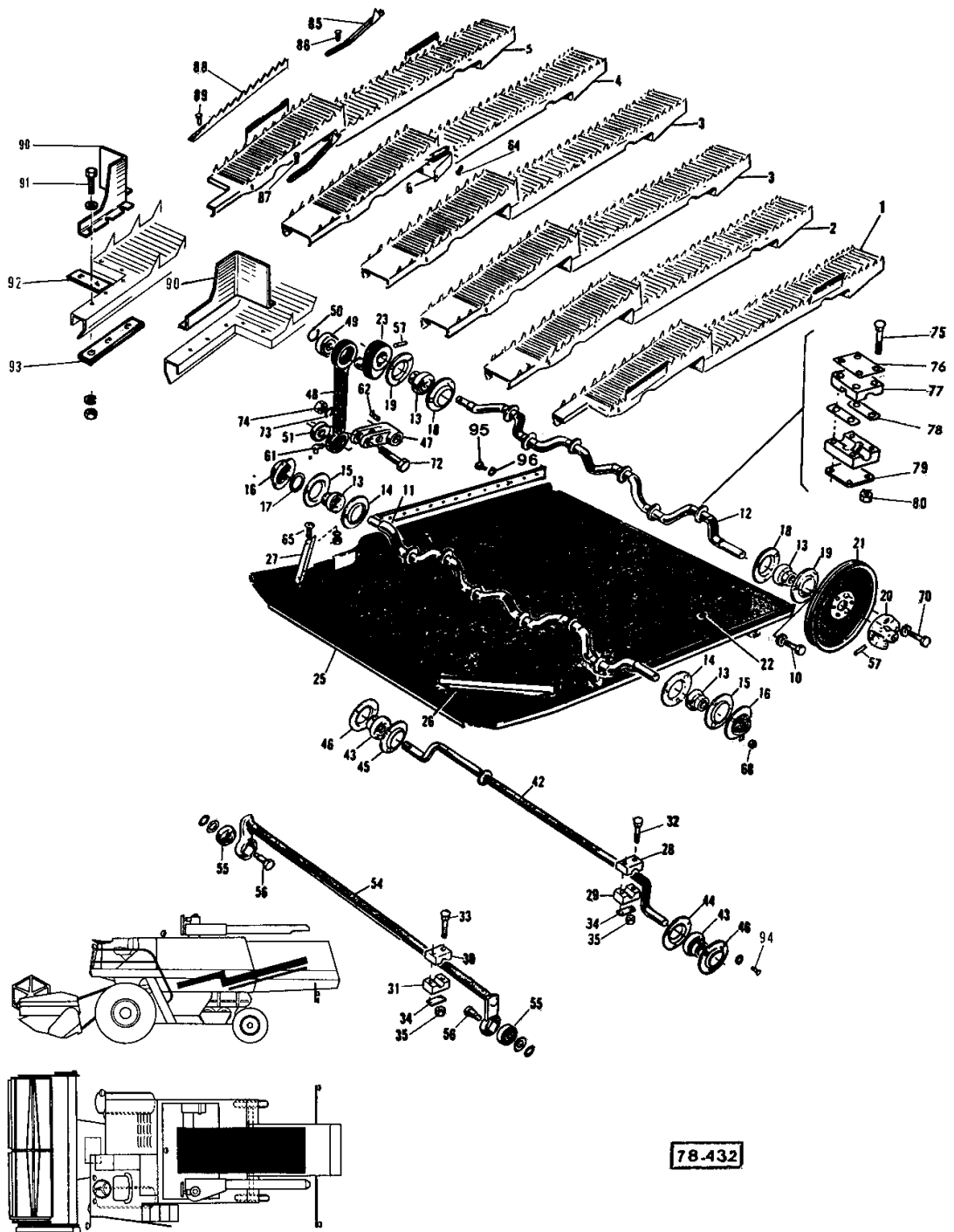
Item	Part Number	Qty	Description	Comments
1	619393M92	1	Riser	INCL. REF. 2, 75
	910113M1	1	Clip	
2	230878M91	2	Clamp	
3	230882M91	2	Latch	
4	794486M91	1	Bottom	
5	910966M3	1	Pinion	Number of teeth/spines 8
7	913978M1	1	Plate	
8	240717M1	1	Washer	
9	353134X1	1	Bearing Assy	
10	22691X	2	Flange	
11	913977M1	1	Hub	
12	233989M91	1	Pulley	
	792397M91	1	Pulley	(A)
13	913991M1	1	Shaft	
14	910964M1	1	Pinion	Number of teeth/spines 8
15	228985M91	2	Plate	
16	353152X1	2	Bearing	
17	22632X	4	Flange	
18	227460M1	1	Pulley	
19	764326M1	1	Washer	
20	353540X1	1	Screw Unf	
22	353916X1	6	Nut Unf	
	353446X1	6	Lock Washer	
23	910991M92	1	Housing	
24	795472M1	1	Shaft	
25	795473M1	2	Flange	
26	353249X1	1	Bearing	
27	417850M1	1	Bearing Assy	
28	22286X	2	Flange	
29	850643M1	1	Ring	
30	795920M1	1	Pulley	
38	795459M91	10	Finger	
39	793212M92	10	Finger	
44	910828M1	1	Concave	
45	910424M1	1	Cover	
	353446X1	2	Lock Washer	
46	353676X1	2	Screw Unc	
	353618X1	2	Bolt Unf	
47	795453M1	2	Pin	
50	339256X1	2	Bolt Metric	
51	598528M1	1	Key	
52	375411X1	2	Screw	
53	353441X1	2	Lock Washer	
54	353754X1	2	Washer	
	353918X1	2	Nut Unf	
56	353791X1	8	Bolt Unf	
	353446X1	8	Lock Washer	
	353755X1	8	Washer	
	353916X1	8	Nut Unf	
58	353916X1	5	Nut Unf	
	353522X1	5	Bolt Unf	
	353446X1	5	Lock Washer	
59	832149M1	3	Bolt	
	353434X1	3	Lock Washer	
	353431X1	3	Nut Unf	
60	353516X1	6	Screw Unf	
	353446X1	6	Lock Washer	
	353916X1	6	Nut Unf	
62	353747X1	4	Screw Unc	
	375110X1	4	Nut Unc	
63	831641M1	2	Bolt	
64	353757X1	2	Washer	
65	353772X1	2	Washer	
66	353432X1	1	Lock Washer	
67	353426X1	1	Nut Unf	
68	354057X1	1	Pin	
69	353521X1	10	Bolt Unf	
	353446X1	10	Lock Washer	
70	793768M91	1	Cap	
71	353755X1	6	Washer	

RETURNS ELEVATOR

Item	Part Number	Qty	Description	Comments
	353446X1	6	Lock Washer	
	353916X1	6	Nut Unf	
72	355727X1	6	Bolt Unf	
	353446X1	6	Lock Washer	
	353916X1	6	Nut Unf	
73	353517X1	2	Screw Unf	
	353446X1	2	Lock Washer	
	353755X1	2	Washer	
74	353519X1	2	Screw Unf	
	353446X1	2	Lock Washer	
	353775X1	2	Washer	
	353916X1	2	Nut Unf	
75	828224M1	1	Spring	
76	353519X1	3	Screw Unf	
	353446X1	3	Lock Washer	
	353916X1	3	Nut Unf	
77	195416M1	1	Pin	
78	913973M91	1	Shaft	
79	352660X1	1	Ring	

(A)
SLOW SPEED

SECQUEUR ET COMMANDE
 STROHSCHUETTLER STUFENBODEN UND ANTRIEB
 SACUDIDORES Y MANDO
 STRAW WALKERS PANS AND DRIVE ARRANGEMENT



Imprimé en FRANCE

FIG. 2 - 525 2

1646 022 MF 520/525

STRAW WALKERS PANS AND DRIVE ARRANGEMENT

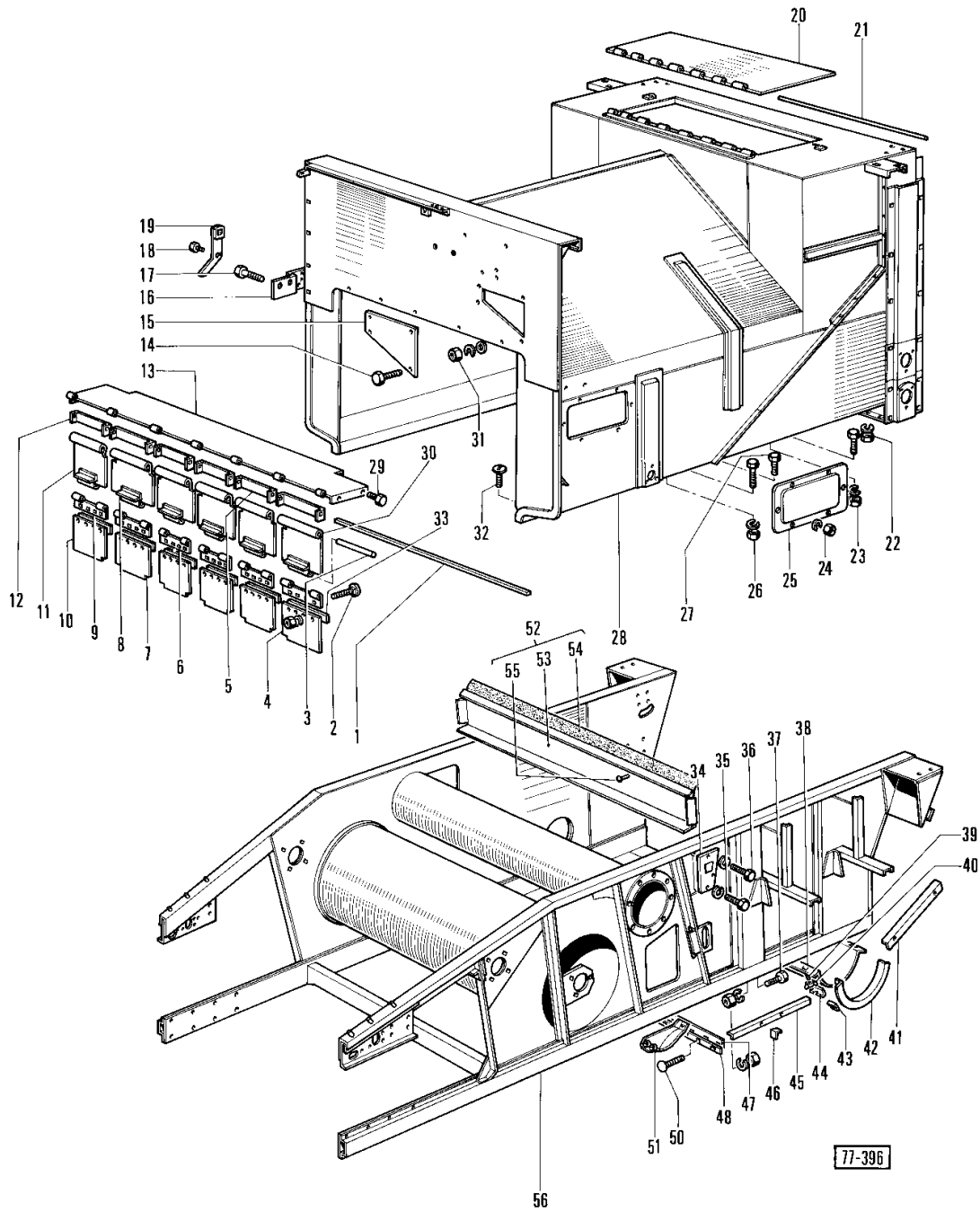
Item	Part Number	Qty	Description	Comments
1	914769M91	1	Walker	
2	914766M91	1	Walker	
3	914763M91	2	Walker	
4	914760M91	1	Walker	
5	914757M91	1	Walker	
6	234096M1	1	Deflector	
10	353517X1	12	Screw Unf	
	353446X1	12	Lock Washer	
11	238114M91	1	Shaft	
12	238151M92	1	Crankshaft	
13	353161X	1	Bearing	
14	833002M1	2	Flange	
15	833004M1	2	Flange	
16	238118M1	2	Cover	
17	238117M1	2	Gasket	
18	832524M1	2	Flange	
19	831834M1	2	Flange	
20	785334M1	1	Hub	
21	795179M91	1	Pulley	
22	792307M1	8	Plug	
23	238493M1	1	Crank	(A)
25	912462M91	1	Shield	Left Hand
26	912719M1	1	Deflector	Right Hand
27	912718M1	1	Deflector	
28	795485M1	2	Bearing	
29	238136M1	2	Bearing	
30	226688M1	2	Bearing	
31	229208M1	2	Bearing	
32	354783X1	4	Bolt Unf	
33	354781X1	4	Bolt Unf	
34	790531M1	4	Plate	
35	357556X1	8	Nut	
42	238137M91	1	Crankshaft	
43	831929M1	2	Bearing Assy	
44	832523M1	1	Flange	
45	833003M1	1	Flange	
46	831834M1	2	Flange	
47	238119M1	1	Clevis	
48	223491M1	1	Rod	
49	353152X1	1	Bearing	
50	352660X1	1	Ring	
51	353275X1	1	Bearing	
54	226689M91	2	Hanger	
55	339599X1	2	Bearing Ball	
56	226674M1	2	Bolt	
	353760X1	2	Flat Washers	
	359405X1	2	Washer	
57	330834X1	2	Pin	(A)
	330834X1	1	Pin	(B)
61	364461X1	1	Nipple	
62	598524M1	1	Key	
64	375398X1	3	Bolt	
	22463X	3	Lock Washer	
65	353969X1	6	Screw Unc	
	353441X1	6	Lock Washer	
	355564X1	6	Nut Unc	
68	353916X1	6	Nut Unf	
	353446X1	6	Lock Washer	
70	353520X1	3	Bolt Unf	
	353446X1	3	Lock Washer	
72	353600X1	1	Bolt Unf	
73	353439X1	1	Lock Washer	
74	353437X1	1	Nut Unf	
75	354781X1	24	Bolt Unf	(A)
	354781X1	24	Bolt Unf	(B)
	354791X1	24	Bolt	(B)
76	912483M1	6	Block	(B)
77	238124M1	24	Bearing	
78	617595M1	12	Gasket	
	617594M1	12	Chock	

STRAW WALKERS PANS AND DRIVE ARRANGEMENT

Item	Part Number	Qty	Description	Comments
79	795877M1	12	Plate	
80	357556X1	48	Nut	(A)
	357556X1	24	Nut	(B)
85	786430M91	12	Riser	(C)
86	353994X1	24	Screw	(C)
	12463X	24	Washer	
87	360236X1	24	Screw	(C)
88	239159M3	4	Divider	(C)
	234860M1	1	Divider	(D)
				Right Hand
	240513M1	1	Divider	(D)
				Left Hand
	910358M92	1	Divider	INCL. REF. 88, 89
89	375397X1	24	Screw	(D)
	22463X	24	Lock Washer	
90	606812M93	1	Parts Pack	INCL. REF. 90 TO 91
				(D)
	1615685M1	1	Deflector	Right Hand
				(D)
	1615684M1	1	Deflector	Left Hand
				(D)
91	353516X1	10	Screw Unf	(D)
	353755X1	10	Washer	(D)
	353446X1	10	Lock Washer	(D)
92	617601M1	2	Plate	(D)
93	617848M1	2	Plate	
94	353518X1	6	Screw Unf	
	353446X1	6	Lock Washer	
95	912457M1	1	Rubber Strap	Left Hand
	912459M1	1	Rubber Strap	Right Hand
96	938627X1	34	Rivet	
	339362X1	34	Washer	

(A)
 WITHOUT MULTIFLOW
 (B)
 WITH MULTIFLOW
 (C)
 SERVICED IN TOOL BOX, NOT SERVICED FOR UK
 (D)
 FOR HILLSIDE

BATI- HOTTE DE SECOUEURS
 MACHINENGEHÄUSE
 CAMARA DE TRILLA - CUERPO Y CUBIERTA SACAPAJAS
 STRAW WALKER BODY AND MACHINE HOUSING



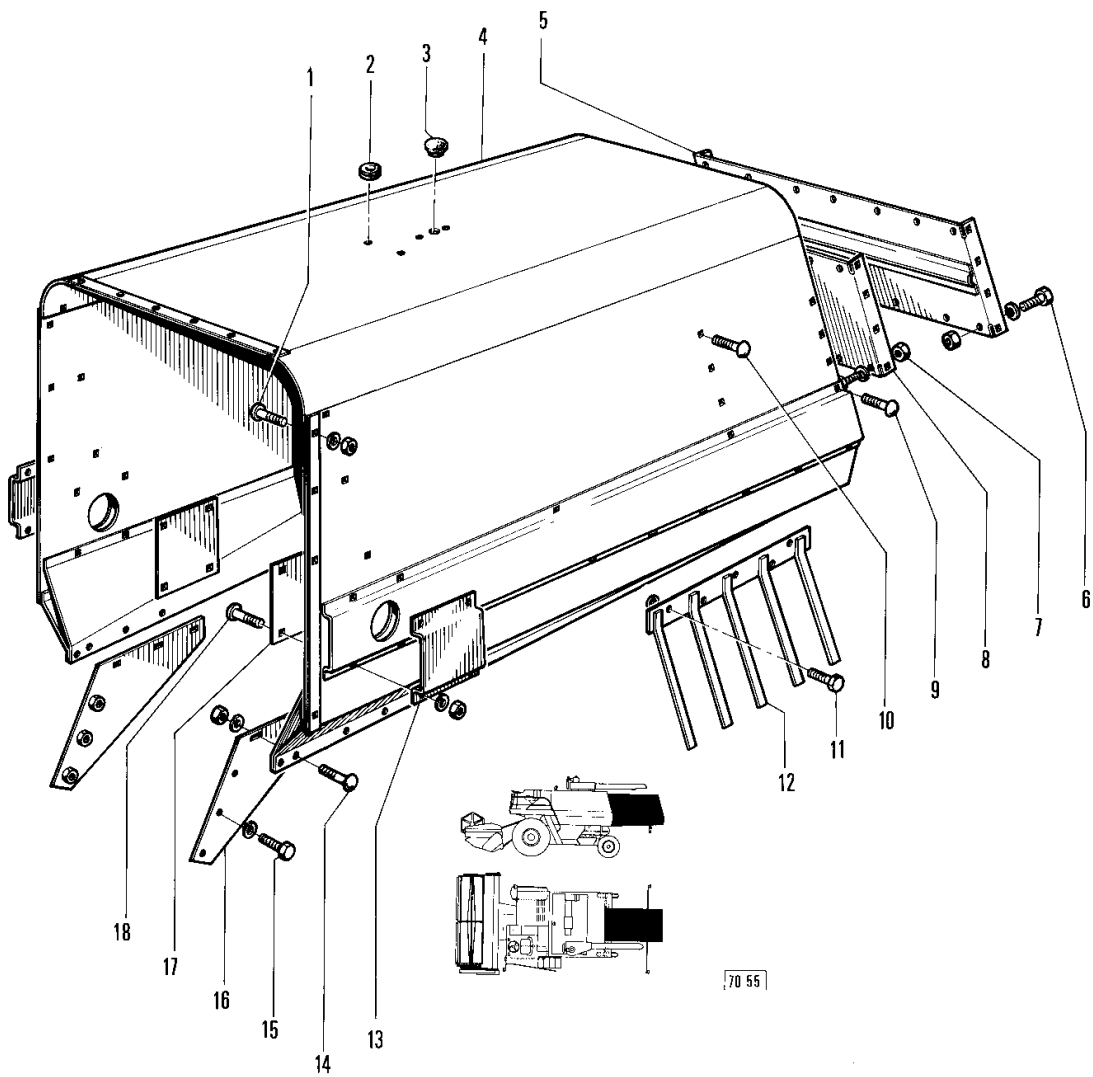
STRAW WALKER BODY

Item	Part Number	Qty	Description	Comments
1	912637M1	1	Pivot	
2	354241X1	24	Bolt Unf	
	353441X1	24	Lock Washer	
	353918X1	24	Nut Unf	
3	912629M1	2	Clevis Pin	
	912628M1	4	Clevis Pin	
4	606881M2	1	Deflector	
5	912630M1	4	Support	
6	912633M2	4	Hinge	
7	606878M2	4	Canvas	
8	606875M92	4	Bearer	
9	912632M2	2	Hinge	
10	606880M2	1	Canvas	
11	606871M92	1	Bearer	
12	912631M1	2	Raiser	
13	912643M91	1	Bearer	
14	353916X1	4	Nut Unf	
	353446X1	4	Lock Washer	
15	783772M1	1	Plate	
16	912649M1	1	Quadrant	
17	353516X1	2	Screw Unf	
	353446X1	2	Lock Washer	
18	353516X1	1	Screw Unf	
	353446X1	1	Lock Washer	
	353755X1	1	Washer	
19	912646M91	1	Lever	
20	911639M1	1	Door	
21	786751M1	1	Rod	
22	353560X1	2	Screw Unf	
	353432X1	2	Lock Washer	
	353757X1	2	Washer	
	353426X1	2	Nut Unf	
23	353517X1	6	Screw Unf	
	353446X1	6	Lock Washer	
	352986X1	6	Washer	
24	353446X1	12	Lock Washer	
	353916X1	12	Nut Unf	
25	227730M1	2	Door	
26	353517X1	21	Screw Unf	
	353446X1	21	Lock Washer	
	353916X1	21	Nut Unf	
	353755X1	21	Washer	
27	353516X1	1	Screw Unf	
	353446X1	1	Lock Washer	
28	912081M96	1	Walker	
29	353516X1	2	Screw Unf	
	353446X1	2	Lock Washer	
30	606873M92	1	Bearer	
31	353916X1	5	Nut Unf	
	353446X1	5	Lock Washer	
	353755X1	5	Washer	
32	353519X1	2	Screw Unf	
	353446X1	2	Lock Washer	
	353755X1	2	Washer	
	353916X1	2	Nut Unf	
33	240804M1	6	Strap	
34	227822M91	1	Door	Left Hand
	227823M91	1	Door	Right Hand
35	353514X1	4	Screw Unf	
	353446X1	4	Lock Washer	
36	353515X1	2	Screw Unf	
	353446X1	2	Lock Washer	
37	353515X1	7	Screw Unf	
	353446X1	7	Lock Washer	
	353916X1	7	Nut Unf	
38	914188M91	1	Door	REAR INCL. REF. 38 TO 40
	914187M1	1	Door	REAR
	795014M91	1	Door	FRONT INCL. REF. 38 TO 40

STRAW WALKER BODY

Item	Part Number	Qty	Description	Comments
	795015M1	1	Door	FRONT
39	795018M91	3	Bolt	
40	353755X1	3	Washer	
	355583X1	3	Nut Unf	
41	914189M1	1	Transverse	Left Hand
	914193M1	1	Transverse	Right Hand
42	914186M1	2	Transverse	FRONT
43	228924M1	3	Hook	
44	795019M1	6	Hook	
45	914190M1	1	Rod	REAR Right Hand
	914194M1	1	Rod	REAR Left Hand
46	795020M1	3	Hook	
47	227820M1	1	Band	(A)
	1855807M2	1	Gasket	(B)
48	227821M1	2	Strap	
50	353792X1	12	Bolt Unf	
	353446X1	12	Lock Washer	
	353916X1	12	Nut Unf	
51	1615190M1	1	Reinforcement	
52	912031M91	1	Extension	INCL. REF. 52 TO 55
53	912033M1	1	Transverse	
54	912034M1	1	Tongue	
	912032M1	1	Plate	
55	19263X	11	Rivet	
56	1615192M92	1	Housing	INCL. REF. 43, 44, 46
	1615927M1	1	Reinforcement	(A) Up to Serial or Engine Number 13608 (B) From Serial or Engine Number 13609

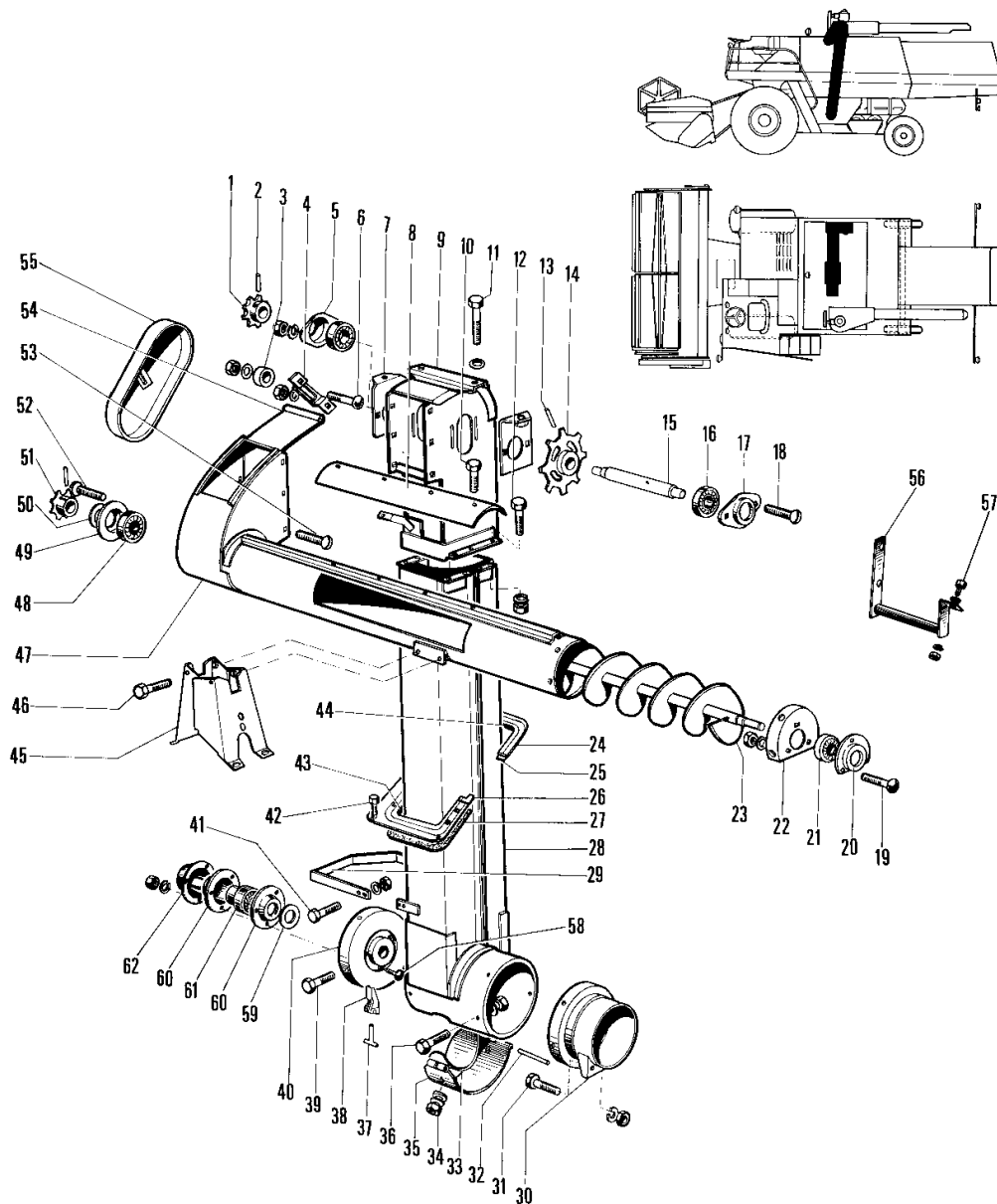
HOTTE ARRIERE
 ABSCALUSSHAUBE
 CUBIERTA
 REAR HOOD



REAR HOOD

Item	Part Number	Qty	Description	Comments
1	359038X1	18	Bolt Unf	
	353446X1	18	Lock Washer	
	353916X1	18	Nut Unf	
2	792284M1	4	Grommet	(A)
3	828790M2	1	Plug	(A)
4	912730M94	1	Hood	
5	619468M91	1	Panel	
6	353516X1	16	Screw Unf	
	353446X1	16	Lock Washer	
	353755X1	16	Washer	
7	353516X1	16	Screw Unf	
	353446X1	16	Lock Washer	
8	912736M91	1	Panel	
9	359998X1	8	Bolt Unf	
	355802X1	8	Washer	
	353446X1	8	Lock Washer	
	353916X1	8	Nut Unf	
10	359998X1	8	Bolt Unf	
	355802X1	8	Washer	
	353446X1	8	Lock Washer	
	353916X1	8	Nut Unf	
11	353517X1	5	Screw Unf	
	353446X1	5	Lock Washer	
12	619405M91	1	Deflector	
13	912734M1	1	Plate	
14	359998X1	6	Bolt Unf	
	355802X1	6	Washer	
	353446X1	6	Lock Washer	
	353916X1	6	Nut Unf	
15	353516X1	6	Screw Unf	
	353446X1	6	Lock Washer	
16	917500M1	1	Gusset	Right Hand
	917501M1	1	Gusset	Left Hand
17	912733M1	1	Plate	
18	359998X1	4	Bolt Unf	
	355802X1	4	Washer	
	353446X1	4	Lock Washer	
	353916X1	4	Nut Unf	
				(A)
				WITHOUT MULTIFLOW

ELEVATEUR A GRAIN
 KORNERELEVATOR
 ELEVADOR DEL GRANO
 GRAIN ELEVATOR



77-397

520 0 525 0

1646 022 M2 (2) 5/77

GRAIN ELEVATOR

Item	Part Number	Qty	Description	Comments
1	243395M1	1	Pinion	Number of teeth/spines 12
2	49372X	1	Pin	
3	248560M1	1	Block	
4	248571M1	1	Bracket	
	353794X1	2	Bolt Unf	
	353446X1	2	Lock Washer	
	353916X1	2	Nut Unf	
5	248556M1	1	Flange	
6	353840X1	1	Bolt Unf	
	659700M1	1	Washer	
	353757X1	2	Washer	
	353426X1	1	Nut Unf	
7	1855433M91	2	Plate	
8	794928M1	1	Shield	
	617589M1	1	Cowl	(A)
9	619261M91	1	Head	
10	353516X1	2	Screw Unf	
	353446X1	2	Lock Washer	
	353755X1	2	Washer	
11	831871M1	2	Screw	
	353757X1	2	Washer	
12	353517X1	6	Screw Unf	
	353446X1	6	Lock Washer	
	353916X1	6	Nut Unf	
13	339259X1	6	Pin	
14	910970M1	1	Pinion	Number of teeth/spines 8
15	606790M1	1	Shaft	
	352660X1	1	Ring	EXTERNAL
16	353152X1	2	Bearing	
17	248556M1	2	Flange	
18	353794X1	4	Bolt Unf	
	353446X1	4	Lock Washer	
	353916X1	4	Nut Unf	
19	359998X1	7	Bolt Unf	
	353446X1	7	Lock Washer	
	353916X1	7	Nut Unf	
20	831164M1	2	Flange	
21	353114X1	1	Bearing	
22	619518M1	1	Panel	
23	617697M91	1	Auger	(A)
	912901M91	1	Screw	(B)
24	912928M91	1	Cover	
25	248583M1	1	Strip	
26	912927M91	1	Cover	
27	912943M1	1	Strip	
28	619263M91	1	Body	
29	619223M1	1	Bracket	
30	619222M91	1	Tube	
31	353518X1	2	Screw Unf	
	353755X1	2	Washer	
	353446X1	2	Lock Washer	
32	363957X1	1	Rod	
33	912946M91	1	Plate	
34	360631X1	2	Washer	
	355617X1	2	Washer	
	353441X1	2	Lock Washer	
	355564X1	2	Nut Unc	
35	248547M1	1	Door	
36	353516X1	5	Screw Unf	
	353446X1	5	Lock Washer	
	353916X1	5	Nut Unf	
37	230882M91	1	Latch	
38	235576M91	1	Clamp	
39	353516X1	3	Screw Unf	
	353416X1	3	Bolt	
	353916X1	3	Nut Unf	
40	242717M1	1	Plate	
41	353517X1	4	Screw Unf	
	353416X1	4	Bolt	
	353916X1	4	Nut Unf	

GRAIN ELEVATOR

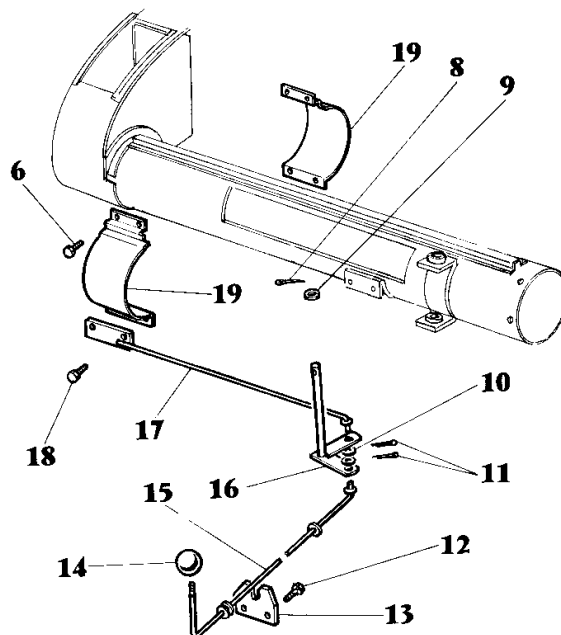
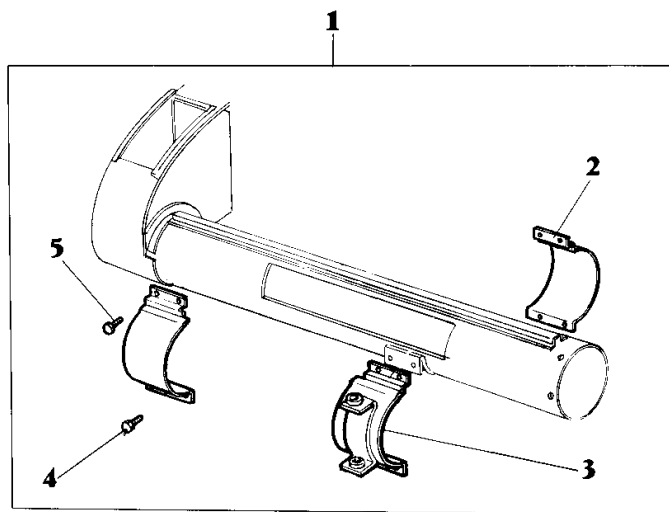
Item	Part Number	Qty	Description	Comments
42	353792X1	1	Bolt Unf	
	353791X1	12	Bolt Unf	
	353755X1	1	Washer	
	353446X1	13	Lock Washer	
	353916X1	13	Nut Unf	
43	912944M1	1	Band	
44	248597M1	1	Strip	
45	619288M92	1	Bracket	
46	353516X1	8	Screw Unf	
	353446X1	8	Lock Washer	
	353755X1	8	Washer	
47	619520M92	1	Tube	
48	353152X1	1	Bearing	
49	22632X	2	Flange	
50	365419X1	1	Spacer	
51	243395M1	1	Pinion	Number of teeth/spines 12
	49372X	1	Pin	
52	353791X1	3	Bolt Unf	
	353446X1	3	Lock Washer	
	353916X1	3	Nut Unf	
53	359998X1	6	Bolt Unf	
	353446X1	6	Lock Washer	
	353916X1	6	Nut Unf	
54	619517M1	1	Gate	
55	619217M91	1	Shield	
56	617556M91	1	Protector	(A)
57	353437X1	1	Nut Unf	(A)
	353755X1	1	Washer	(A)
	353446X1	1	Lock Washer	(A)
	353916X1	1	Nut Unf	(A)
58	832149M1	3	Bolt	
	353434X1	3	Lock Washer	
	353431X1	3	Nut Unf	
59	794940M1	1	Washer	
60	22691X	2	Flange	
61	353134X1	1	Bearing Assy	
62	230763M1	1	Cover	

(A)
GERMANY
(B)
FRANCE EXPORT

107 A

COMMANDE DE REPARTION }
 VERTEILUNGSSCHALTUNG } → N°13 650
 MANDO DE LA DISTRIBUCION }
 DISTRIBUTION DRIVE }

COMMANDE DE REPARTITION }
 VERTEILUNGSSCHALTUNG } → N° 13 651
 MANDO DE LA DISTRIBUCION }
 DISTRIBUTION DRIVE }



77-398

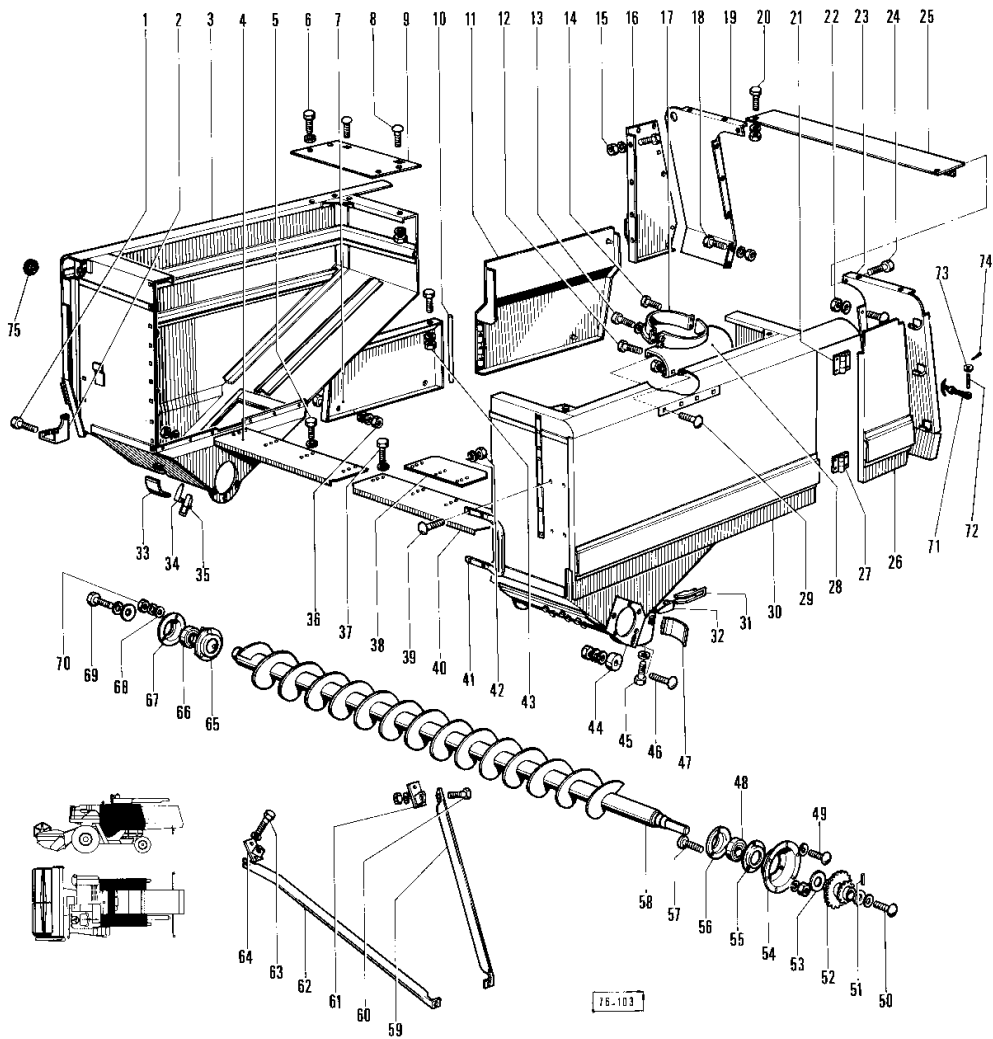
DISTRIBUTION DRIVE

Item	Part Number	Qty	Description	Comments
				Up to Serial or Engine Number 13650
1	1615008M92	1	Distribution	
2	617995M1	1	Bearer	
3	617983M91	1	Pivot	
4	353517X1	2	Screw Unf	
	353446X1	2	Lock Washer	
	353916X1	2	Nut Unf	
5	353516X1	2	Screw Unf	Not serviced, order
	353446X1	6	Lock Washer	
	353916X1	6	Nut Unf	
				DISTRIBUTION DRIVE
				From Serial or Engine Number 13651
6	353516X1	2	Screw Unf	
	353446X1	2	Lock Washer	
	353916X1	2	Nut Unf	
8	357633X1	1	Pin	
9	338492X1	1	Washer	
10	353757X1	2	Washer	
11	354046X1	2	Pin	
12	353883X1	2	Bolt Unf	
	353434X1	2	Lock Washer	
	353431X1	2	Nut Unf	
13	617989M1	1	Guide	
14	963781M1	1	Knob	
15	617985M91	1	Stem	
16	617984M91	1	Pivot	
17	617986M91	2	Stem	
	353446X1	2	Lock Washer	
	353916X1	2	Nut Unf	
19	617994M2	2	Door	

108

REF. N° PIECE Qté

RESERVOIR A GRAINS
KORNTANK
TANQUES DEL GRANO
GRAIN TANK



GRAIN TANK

Item	Part Number	Qty	Description	Comments
1	353517X1	2	Screw Unf	
2	912201M1	1	Bracket	
3	912171M94	1	Reservoir	Right Hand
4	910108M1	2	Cover	
5	353501X1	15	Screw Unf	
	353441X1	15	Lock Washer	
6	353516X1	8	Screw Unf	
	353446X1	8	Lock Washer	
7	912331M92	1	Cowl	
8	359998X1	4	Bolt Unf	
	353446X1	4	Lock Washer	
	353916X1	4	Nut Unf	
	353755X1	12	Washer	
9	912817M1	2	Plate	
10	912338M1	1	Pin	
11	912328M92	1	Cowl	
12	353540X1	2	Screw Unf	
	353434X1	2	Lock Washer	
	353431X1	2	Nut Unf	
13	353691X1	2	Screw Unc	
	353434X1	2	Lock Washer	
	360582X1	3	Shim	
14	353691X1	2	Screw Unc	
	353434X1	2	Lock Washer	
	360582X1	3	Shim	
15	353516X1	7	Screw Unf	
	353446X1	7	Lock Washer	
16	912816M91	1	Panel	Right Hand
17	234789M1	1	Bracket	
18	353516X1	5	Screw Unf	
	353446X1	5	Lock Washer	
19	912814M91	1	Panel	Right Hand (A)
	782807M91	1	Side	Right Hand (B)
20	353516X1	2	Screw Unf	
	353446X1	2	Lock Washer	
21	911658M1	1	Pin	
22	359998X1	9	Bolt Unf	
	353446X1	9	Lock Washer	
	353916X1	9	Nut Unf	
23	912806M91	1	Panel	Left Hand (A)
	782736M91	1	Side	Left Hand (B)
24	353516X1	2	Screw Unf	
	353446X1	2	Lock Washer	
	353916X1	2	Nut Unf	
25	912822M91	1	Member	
26	783716M91	1	Door	
27	911658M1	1	Pin	
28	234790M1	1	Housing	
29	353808X1	6	Bolt Unf	
	353434X1	6	Lock Washer	
	353431X1	6	Nut Unf	
30	912138M91	1	Reservoir	Left Hand
31	235576M91	1	Clamp	
32		1	Catch	(B)
	230882M91	1	Latch	
33	230876M91	1	Door	
34	230882M91	1	Latch	
	235576M91	1	Clamp	
36		1	Catch	(E)
	353517X1	2	Screw Unf	
	353755X1	2	Washer	
	353446X1	2	Lock Washer	
	353916X1	2	Nut Unf	
37	353501X1	15	Screw Unf	
	353441X1	15	Lock Washer	
38	794496M1	2	Cover	

GRAIN TANK

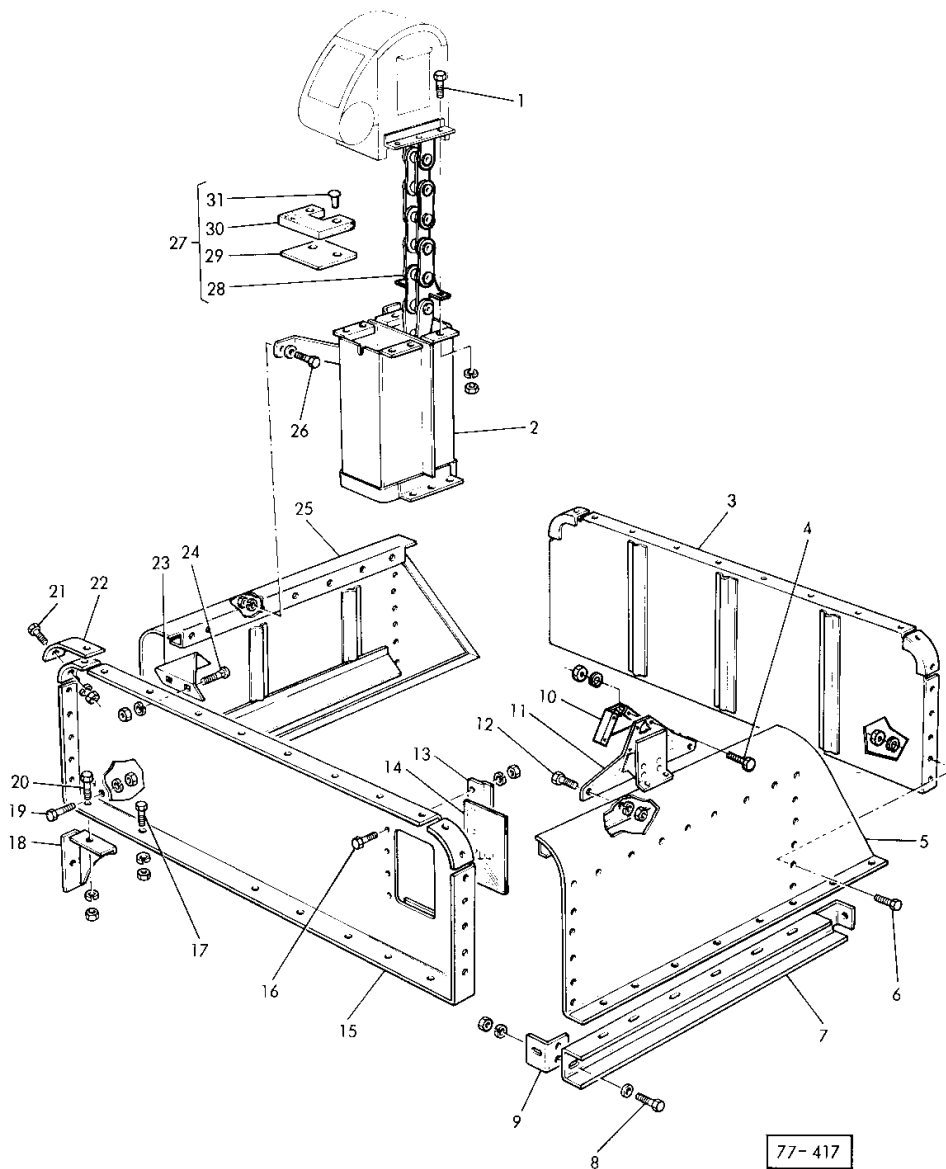
Item	Part Number	Qty	Description	Comments
39	359998X1	4	Bolt Unf	
40	910103M1	1	Extension	
41	783758M1	1	Handle	
42	353446X1	4	Lock Washer	
	353916X1	4	Nut Unf	
43	353516X1	2	Screw Unf	
	353446X1	2	Lock Washer	
	353916X1	2	Nut Unf	
44	619501M1	1	Bush	
45	353791X1	3	Bolt Unf	
	353755X1	3	Washer	
	353446X1	3	Lock Washer	
	353916X1	3	Nut Unf	
46	353842X1	1	Bolt Unf	
	659700M1	1	Washer	
	353757X1	1	Washer	
	353432X1	1	Lock Washer	
	353426X1	1	Nut Unf	
47	228952M91	1	Door	
48	1721404M1	1	Bearing Assy	
49	353516X1	6	Screw Unf	
	353446X1	6	Lock Washer	
50	794485M1	1	Bolt	
	832107M1	1	Washer	
	359404X1	1	Lock Washer	
51	659657M1	1	Key	
52	912849M92	1	Wheel	
53	832406M1	6	Washer	
	917000M1	1	Spacer	
54	238732M1	1	Flange	
55	22691X	2	Flange	
56	228879M1	1	Shield	
57	832149M1	3	Bolt	
	353434X1	3	Lock Washer	
	353431X1	3	Nut Unf	
58	911010M92	1	Auger	
59	795970M1	1	Stay	
60	353538X1	1	Screw Unf	
	353434X1	1	Lock Washer	
	353431X1	1	Nut Unf	
61	795986M91	1	Bracket	
62	911837M1	1	Stay	
63	353538X1	1	Screw Unf	
	353434X1	1	Lock Washer	
	353431X1	1	Nut Unf	
64	795985M91	1	Bracket	
65	238202M91	1	Flange	
66	831087M1	1	Bearing	
67	831834M1	1	Flange	
68	360016X1	3	Nut	
69	353559X1	1	Screw Unf	
	667957M1	1	Washer	
	353432X1	1	Lock Washer	
70	353446X1	3	Lock Washer	
	353916X1	3	Nut Unf	
71	403657M1	2	Fastener	
72	403660M1	2	Pin	
73	390146X1	2	Washer Metric	
74	390147X1	2	Pin	
75	359380X1	1	Plug	
	917642M1	1	Clip	(C)
	917643M1	1	Adaptor	(C)
	359998X1	5	Bolt Unf	(C)
	353446X1	5	Lock Washer	(C)
	355802X1	5	Washer	(C)
	353916X1	5	Nut Unf	(C)
				(A)
				WITHOUT MULTIFLOW
				(B)
				WITH MULTIFLOW

GRAIN TANK

Item	Part Number	Qty	Description	Comments
				(C) SPAIN (NON ILLUSTRATED)
				(D) Not serviced, order 235576M91
				(E) Not serviced, order 230882M91

111A

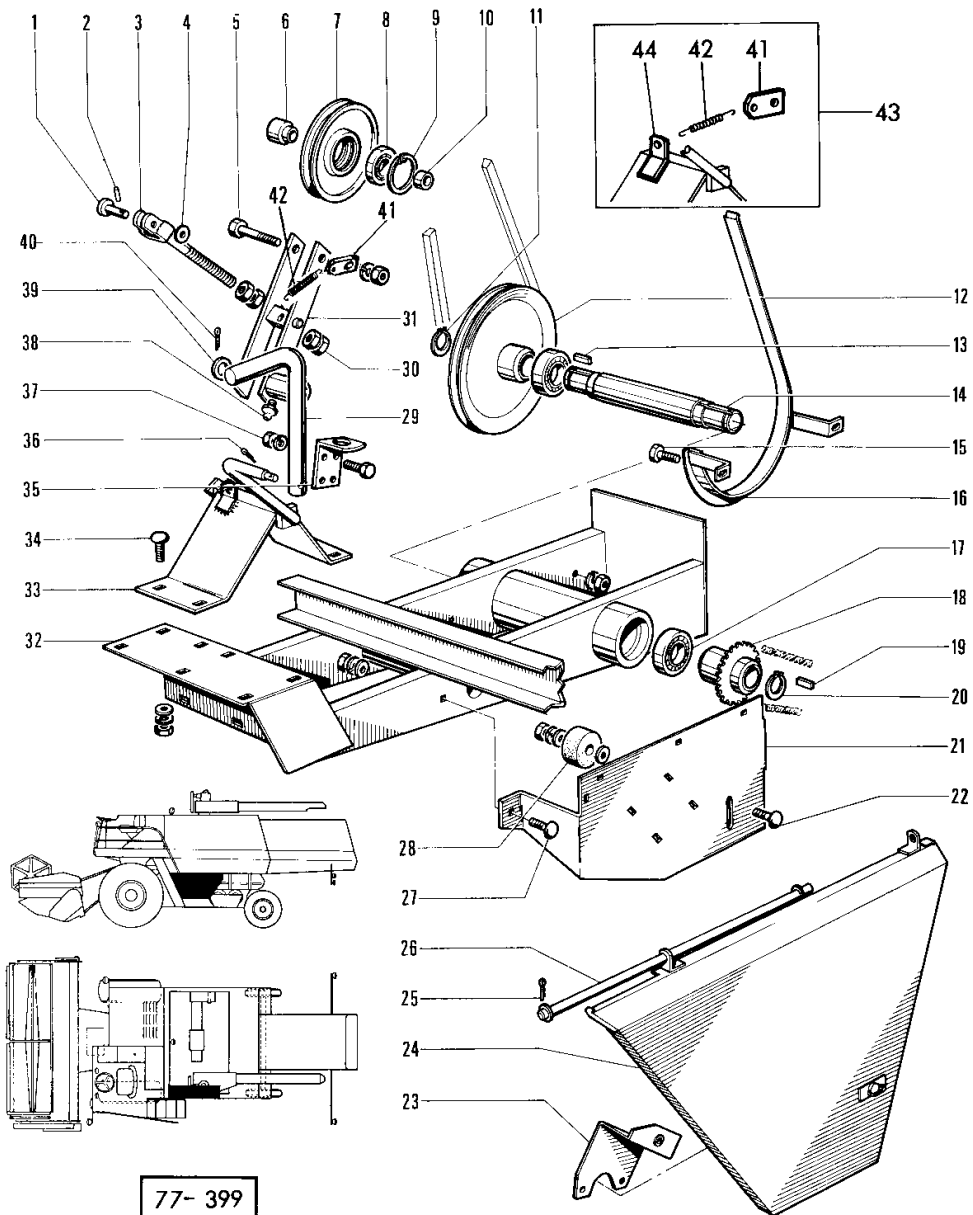
REHAUSSE SUR RESERVOIR A GRAIN
 KORNTANK ERHOHUNG
 EXTENSION DEL TANQUE DEL GRANO
 GRAIN TANK EXTENSION



GRAIN TANK EXTENSION

Item	Part Number	Qty	Description	Comments
1	353517X1	6	Screw Unf	
	353446X1	6	Lock Washer	
	353916X1	6	Nut Unf	
2	1855455M91	1	Extension	
3	1855471M91	1	Panel	
4	353516X1	4	Screw Unf	
	353446X1	4	Lock Washer	
	353916X1	4	Nut Unf	
5	1855494M91	1	Panel	Left Hand
6	355150X1	41	Screw Unc	
	355565X1	41	Nut Unc	
	353446X1	41	Lock Washer	
7	1855501M1	1	Channel	
8	353516X1	14	Screw Unf	
	353446X1	14	Lock Washer	
	353916X1	14	Nut Unf	
	353755X1	14	Washer	
9	1855500M1	1	Angle	
10	1615125M2	1	Spacer	
11	1615126M91	1	Bracket	
12	353516X1	6	Screw Unf	
	353916X1	6	Nut Unf	
	353446X1	6	Lock Washer	
13	1615808M1	1	Runner	
14	1615804M1	1	Cover	
15	1615801M1	1	Bracket	
16	353501X1	4	Screw Unf	
	353441X1	4	Lock Washer	
	353918X1	4	Nut Unf	
17	353516X1	61	Screw Unf	
	353446X1	61	Lock Washer	
	353916X1	61	Nut Unf	
18	1855484M1	2	Bracket	
19	353516X1	6	Screw Unf	
	353446X1	6	Lock Washer	
	353916X1	6	Nut Unf	
20	353516X1	2	Screw Unf	
	353446X1	2	Lock Washer	
	353916X1	2	Nut Unf	
21	353516X1	8	Screw Unf	
	353446X1	8	Lock Washer	
	353916X1	8	Nut Unf	
22	1855902M1	4	Strip	
23	1855499M1	4	Reinforcement	
24	353516X1	16	Screw Unf	
	353446X1	16	Lock Washer	
	353916X1	16	Nut Unf	
25	1855491M91	1	Panel	
26	353516X1	2	Screw Unf	
	353446X1	2	Lock Washer	
	353755X1	2	Washer	
	353916X1	2	Nut Unf	
27	1855565M91	1	Chain	
28	1855434M91	1	Chain	
29	248553M1	7	Pad	
30	784847M1	7	Pad	
31	363431X1	14	Rivet	

COMMANDE DE DECHARGE DU RESERVOIR
 KORNTANK ENTLEERUNGANTRIEB
 MANDO DE DESCARGA DEL TANQUE DE GRANOS
 GRAIN TANK UNLOADER DRIVE



MASSEY FERGUSON**MF 520/525 COMBINES - 1646022**

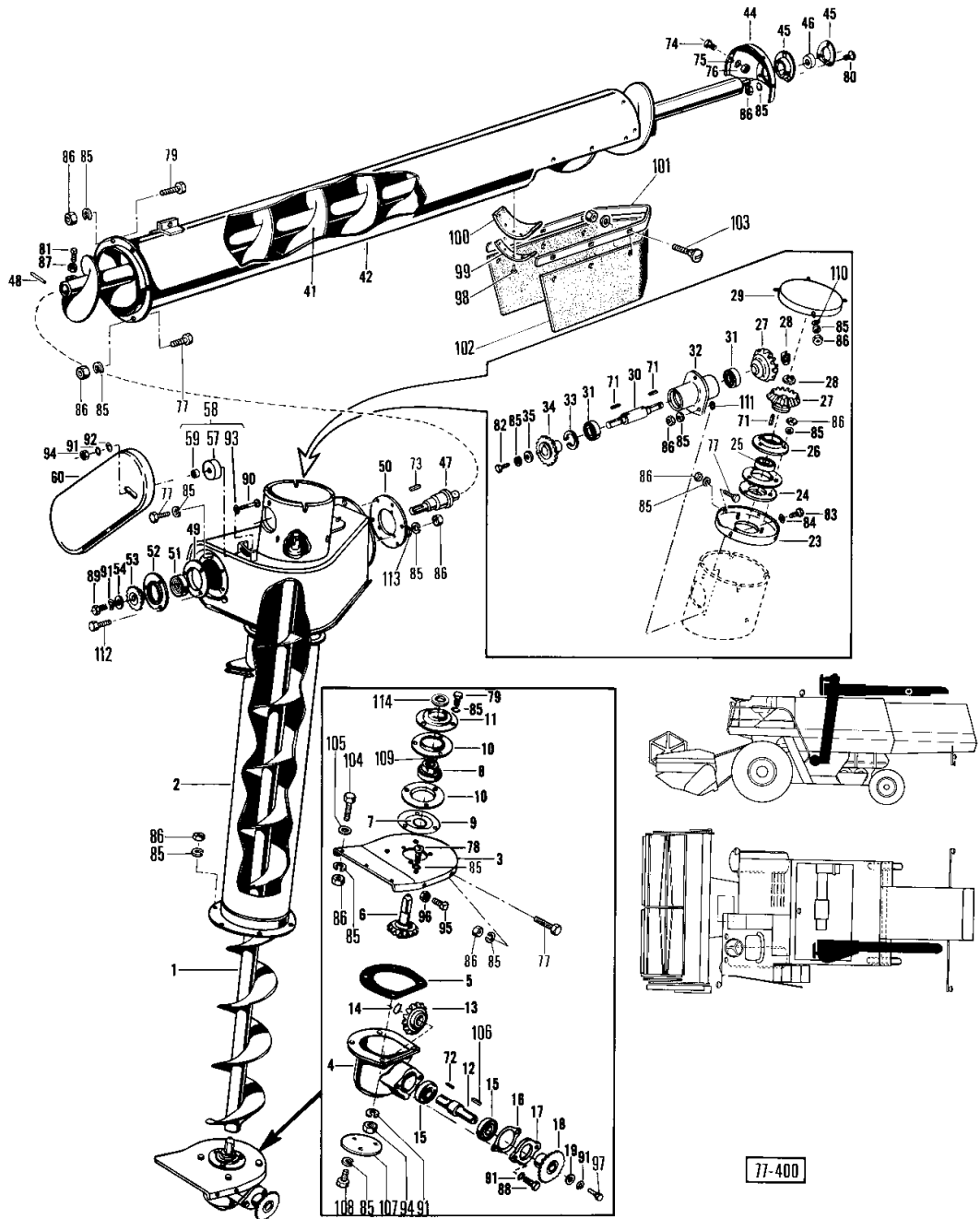
1646022

112

GRAIN TANK UNLOADER DRIVE

Item	Part Number	Qty	Description	Comments
1	195396M1	1	Clevis Pin	
2	354066X1	1	Pin	
3	787499M91	1	Yoke	
4	353758X1	1	Washer	
5	353625X1	1	Bolt Unf	
	353433X1	1	Lock Washer	
	353427X1	1	Nut Unf	
6	233537M1	1	Bush	
7	213736M1	1	Pulley	
8	22258X	1	Bearing Assy	
9	208230M1	1	Ring	
10	361221X1	1	Spacer	
11	208505M1	1	Circlip	
12	787498M1	1	Pulley	
13	195311M1	1	Key Door	
14	912307M1	1	Shaft	
15	353517X1	2	Screw Unf	
	353446X1	2	Lock Washer	
	353916X1	2	Nut Unf	
16	912318M91	1	Shield	
17	339583X1	2	Bearing Assy	
18	912320M91	1	Sprocket	Number of teeth/spines 21
19	10724X	1	Key	
20	352438X1	1	Circlip	
21	912244M1	1	Bearer	
22	353840X1	1	Bolt Unf	
	659700M1	1	Washer	
	353757X1	1	Washer	
	353432X1	1	Lock Washer	
	353426X1	1	Nut Unf	
23	912200M91	1	Support	
24	912329M91	1	Shield	
25	354074X1	2	Pin	
26	912199M1	1	Clevis Pin	
27	353794X1	11	Bolt Unf	
	353755X1	11	Washer	
	353446X1	11	Lock Washer	
	353916X1	11	Nut Unf	
28	912252M1	1	Block	
29	912306M1	1	Handle	
30	619189M1	2	Spacer	
	375111X1	4	Nut Unc	
31	912303M91	1	Arm	
32	912309M91	1	Bearer	
33	912319M92	1	Lever	
34	353794X1	4	Bolt Unf	
	353755X1	4	Washer	
	353446X1	4	Lock Washer	
	353916X1	4	Nut Unf	
35	912315M1	1	Bracket	
36	357146X1	1	Pin	
37	353518X1	4	Screw Unf	
	353446X1	4	Lock Washer	
	353916X1	4	Nut Unf	
38	13811X	1	Grease Nipple	
39	376410X1	1	Washer	
40	375090X1	1	Pin	
41	617933M1	1	Strap	
42	598798M1	1	Spring	
43	1615042M91	1	Parts Pack	
44	617932M1	1	Clip	

VIS DE DECHARGE
 AUSLAUFROHR
 TUBO DE DESCARGA DEL TANQUE
 GRAIN TANK UNLOADER PIPE



GRAIN TANK UNLOADER PIPE

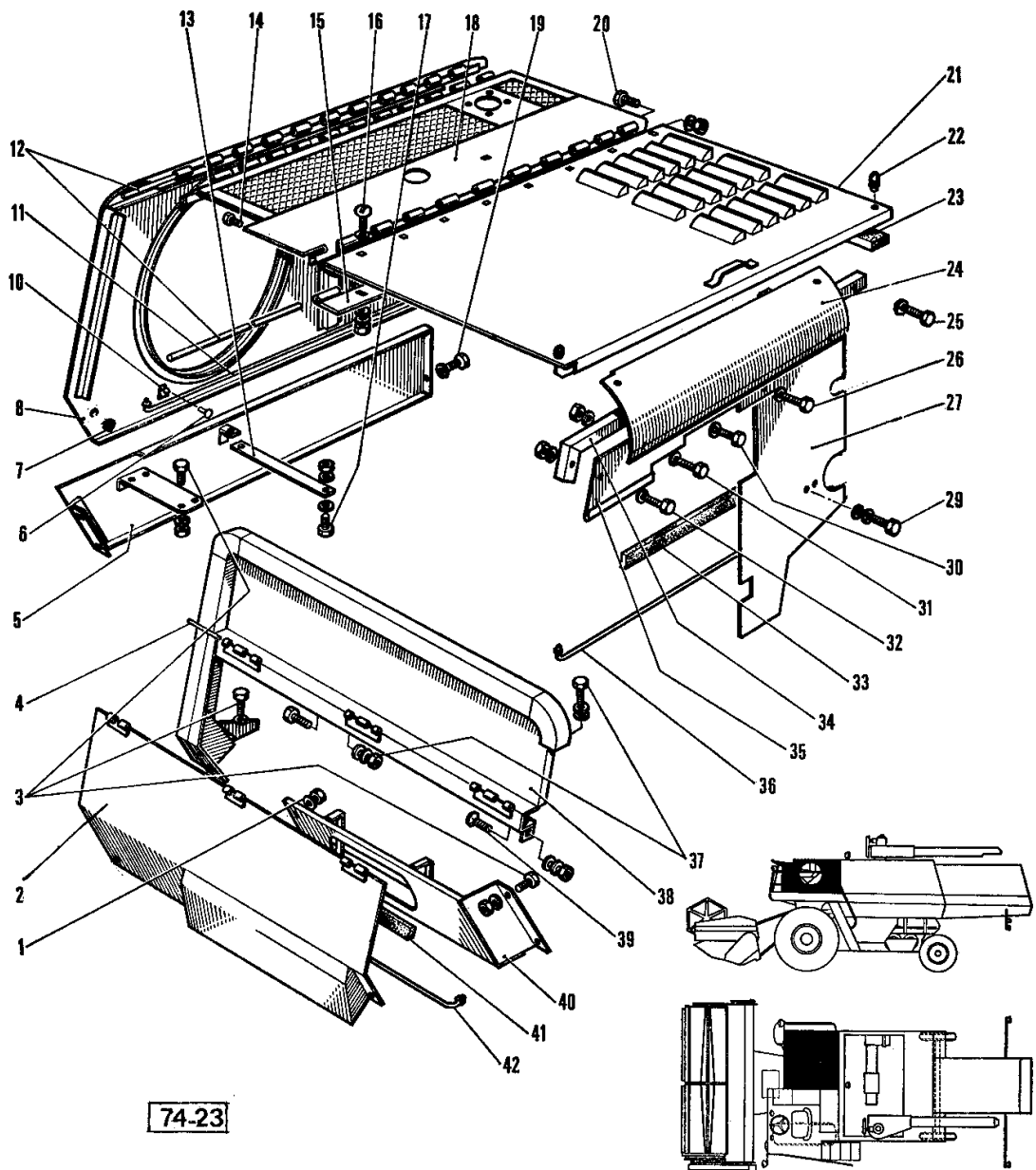
Item	Part Number	Qty	Description	Comments
1	913808M91	1	Screw	
2	619475M92	1	Tube	INCL. REF. 2
	195446M1	1	Pin	
	361332X1	1	Pin	
	353752X1	1	Washer	
	659764M1	1	Spring	
	636511M1	1	Cover	
3	238733M92	1	Plate	
4	228860M2	1	Housing	
5	230751M2	1	Gasket	
6	913603M91	1	Shaft	Number of teeth/spines 14
7	361015X1	X	Washer	
8	831929M1	1	Bearing Assy	
9	228852M1	1	Gasket	
10	831834M1	2	Flange	
11	910098M1	1	Cowl	
12	912848M1	1	Shaft	
13	238979M1	1	Gear	Number of teeth/spines 14
14	208505M1	1	Circlip	
15	339583X1	2	Bearing Assy	
16	224024M1	X	Shim	015"
17	224001M1	1	Cap	
18	912851M91	1	Sprocket	Number of teeth/spines 18
19	667957M1	1	Washer	
23	910872M91	1	Bearer	
24	235819M1	1	Cowl	
25	353152X1	1	Bearing	
26	22632X	1	Flange	
27	910869M1	2	Pinion	Number of teeth/spines 14
28	22042X	2	Segment	
29	910873M91	1	Cover	
30	248937M1	1	Shaft	
31	339599X1	2	Bearing Ball	
32	248934M1	1	Housing	
33	350393X1	1	Ring	
34	910870M91	1	Pinion	Number of teeth/spines 19
35	831158M1	1	Washer	
41	912881M91	1	Screw	
42	912880M91	1	Tube	INCL. REF. 98 TO 100
44	240414M1	1	Cap	
45	831838M1	2	Flange	
46	248828M1	1	Bush	
47	240407M1	1	Stud	
48	16766X	1	Pin	
49	228879M1	1	Shield	
50	228784M91	1	Plate	
51	1721404M1	1	Bearing Assy	
52	831834M1	1	Flange	
53	228792M91	1	Sprocket	Number of teeth/spines 18
54	196107M1	1	Washer	
57	232137M91	1	Sprocket	
58	1615030M91	1	Block	
59	228814M1	1	Spacer	
60	228771M91	1	Cowl	
	353516X1	2	Screw Unf	
	353755X1	2	Washer	
	353446X1	2	Lock Washer	
71	659701M1	4	Key	
72	359039X1	4	Key	
73	355702X1	4	Key	
74	353501X1	4	Screw Unf	
75	353441X1	4	Lock Washer	
76	353918X1	4	Nut Unf	
77	353516X1	24	Screw Unf	
78	353827X1	4	Bolt Unf	
79	353517X1	6	Screw Unf	
80	353792X1	3	Bolt Unf	
81	354373X1	1	Screw Unc	
82	353678X1	1	Screw Unc	
83	353521X1	3	Bolt Unf	

GRAIN TANK UNLOADER PIPE

Item	Part Number	Qty	Description	Comments
84	355618X1	3	Washer	
85	353446X1	53	Lock Washer	
86	353916X1	46	Nut Unf	
87	375108X1	1	Nut Unc	
88	353669X1	2	Screw Unc	
89	353560X1	1	Screw Unf	
90	353832X1	1	Bolt Unf	
91	353432X1	9	Lock Washer	
92	659700M1	1	Washer	
93	228729M1	1	Spacer	
94	353426X1	5	Nut Unf	
95	353907X1	2	Screw Unc	
96	375109X1	2	Nut Unc	
97	353559X1	1	Screw Unf	
98	338969X1	5	Rivet	
99	783767M1	1	Plate	
100	783766M1	1	Flange	
101	240548M1	1	Strap	
102	800853M91	1	Parts Pack	INCL. REF. 101, 102, 103
	240549M1	1	Cowl	
103	354241X1	7	Bolt Unf	
	353441X1	7	Lock Washer	
	353918X1	7	Nut Unf	
104	353791X1	3	Bolt Unf	
105	353755X1	3	Washer	
106	359657M1	1	Key	
107	910412M1	1	Plate	
108	353676X1	3	Screw Unc	
109	376410X1	X	Washer	
110	353755X1	4	Washer	
111	353188X1	X	Washer	
112	353517X1	3	Screw Unf	
113	353755X1	6	Washer	
114	598941M1	3	Washer	

CAPOT MOTEUR
 MOTORDECKEL
 CAPO DEL MOTOR
 ENGINE COVER ARRANGEMENT

119



74-23

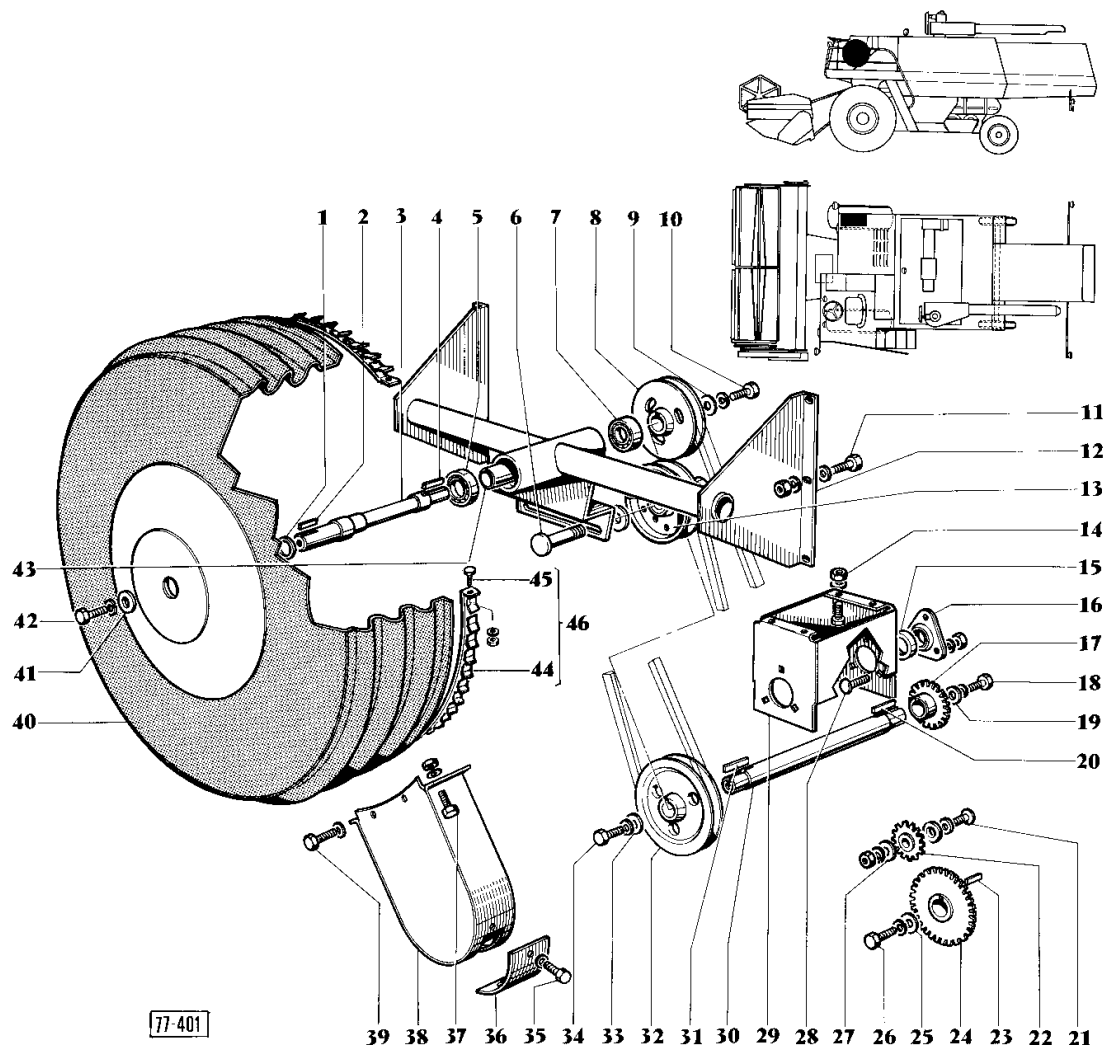
ENGINE COVER ARRANGEMENT

Item	Part Number	Qty	Description	Comments
1	353791X1	2	Bolt Unf	
	10978X	2	Washer	
	353446X1	2	Lock Washer	
	353916X1	2	Nut Unf	
2	606953M91	1	Gate	
	390146X1	1	Washer Metric	
	390147X1	1	Pin	
3	353516X1	8	Screw Unf	
	353446X1	8	Lock Washer	
	353916X1	8	Nut Unf	
4	918208M1	3	Clevis Pin	
5	912385M91	1	Panel	
6	338604X1	6	Rivet	
	330899X1	2	Rivet	
7	793115M1	2	Plug	
8	619967M91	1	Gate	
	390146X1	2	Washer Metric	
	390147X1	2	Pin	
10	619513M1	3	Pliers	
11	912970M91	1	Draglink	
12	917049M1	2	Clevis Pin	
13	912842M1	1	Strap	
14	353515X1	4	Screw Unf	
	353755X1	4	Washer	
	353446X1	4	Lock Washer	
15	783953M91	1	Hinge	
16	354241X1	8	Bolt Unf	
	376394X1	8	Washer	
	353754X1	8	Washer	
	353441X1	8	Lock Washer	
	353918X1	8	Nut Unf	
17	353516X1	2	Screw Unf	
	353755X1	2	Washer	
	353446X1	2	Lock Washer	
	22428X	2	Lock Washer	
	353916X1	2	Nut Unf	
18	619920M91	1	Bonnet	
19	353806X1	2	Bolt Unf	
	10982X	2	Washer	
	353434X1	2	Lock Washer	
	353431X1	2	Nut Unf	
20	353516X1	8	Screw Unf	
	353446X1	8	Lock Washer	
	353916X1	8	Nut Unf	
21	619924M92	1	Gate	
	1616525M91	1	Door (D)	
	390146X1	2	Washer Metric	
	390147X1	2	Pin	
22	782686M1	2	Latch	
23	619930M1	2	Strip (A)	
24	619911M93	1	Transverse (E)	
	617658M92	1	Transverse (F)	
	917022M1	1	Clip	
25	330899X1	4	Rivet	
	353537X1	1	Screw Unf	
	353756X1	1	Washer	
	353434X1	1	Lock Washer	
	353431X1	1	Nut Unf	
26	353536X1	3	Screw Unf	
	353434X1	3	Lock Washer	
	353431X1	1	Nut Unf	
27	912828M1	1	Panel	
29	353502X1	2	Screw Unf	
	353754X1	2	Washer	
	353441X1	2	Lock Washer	
30	353536X1	1	Screw Unf	
	353756X1	1	Washer	
	353434X1	1	Lock Washer	
	353431X1	1	Nut Unf	
31	353501X1	6	Screw Unf	

ENGINE COVER ARRANGEMENT

Item	Part Number	Qty	Description	Comments
	353441X1	6	Lock Washer	
	353918X1	6	Nut Unf	
32	353502X1	1	Screw Unf	
	353754X1	1	Washer	
	353441X1	1	Lock Washer	
	353918X1	1	Nut Unf	
33	619929M1	1	Strip	(A)
34	619965M1	1	Partition	
35	619964M3	1	Partition	
36	912971M91	1	Support	
37	353517X1	3	Screw Unf	
	353755X1	3	Washer	
	353446X1	3	Lock Washer	
	353916X1	3	Nut Unf	
38	912410M91	1	Chassis	(B)
	1616183M91	1	Chassis	(C)
39	353807X1	1	Screw Unf	
	353756X1	1	Washer	
	353434X1	1	Lock Washer	
	353431X1	1	Nut Unf	
40	912206M93	1	Front	
41	619969M1	2	Strip	(A)
42	912962M1	1	Draglink	
				(A) Not serviced, order 1635794M1 ABOUT 11 YARDS
				(B) Up to Serial or Engine Number 16388
				(C) From Serial or Engine Number 16389
				(D) GERMANY
				(E) Up to Serial or Engine Number 1978
				(F) From Serial or Engine Number 1979

PRISE D'AIR ROTATIVE
 KUEHLER UND LUFTANSAUGSYSTEM
 TOMA DE AIRE GIRATORIA
 RADIATOR AIR INTAKE ARRANGEMENT



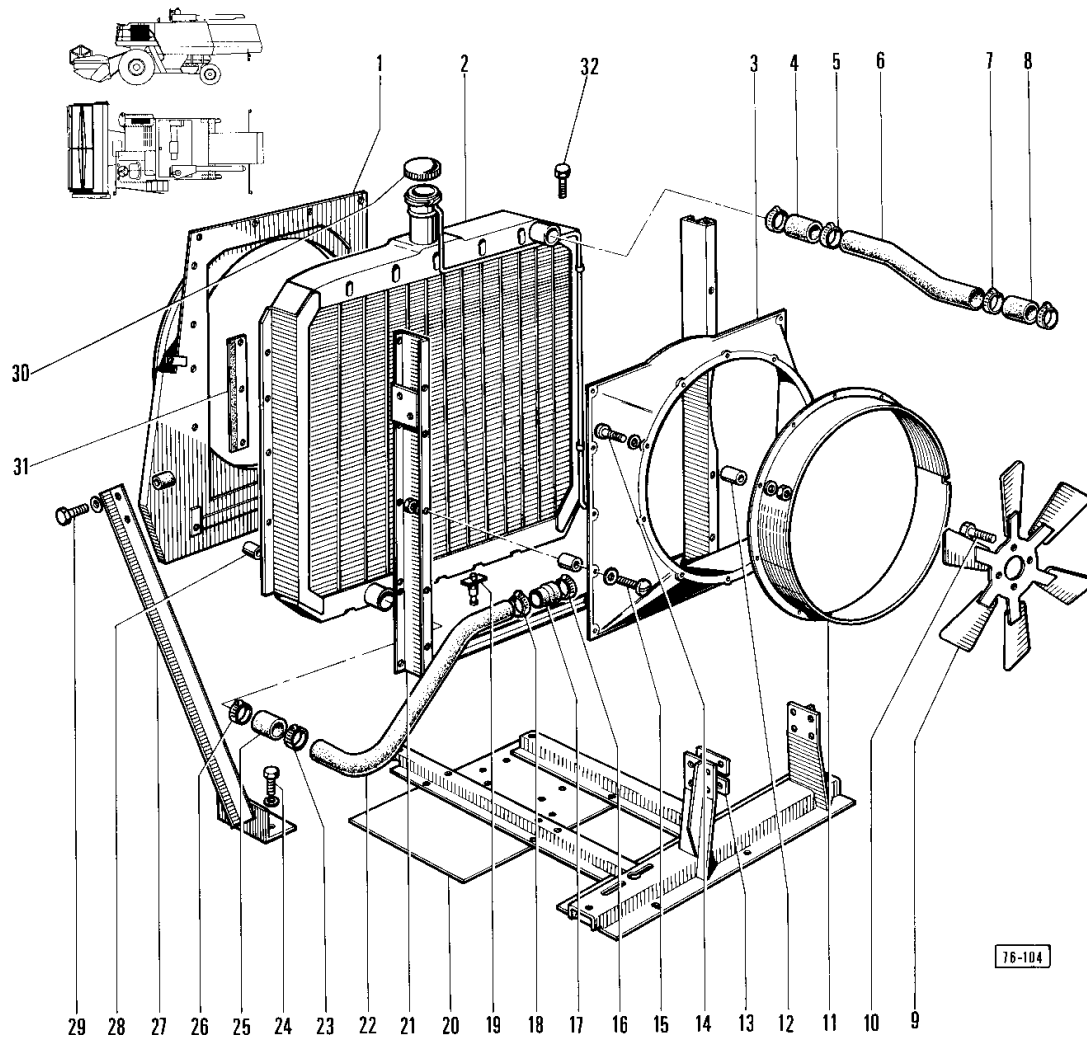
RADIATOR AIR INTAKE ARRANGEMENT

Item	Part Number	Qty	Description	Comments
1	363364X1	1	Washer	
2	598528M1	1	Key	
3	619938M1	1	Shaft	
4	659701M1	1	Key	
5	22258X	1	Bearing Assy	
6	353836X1	1	Bolt Unf	
	353432X1	1	Lock Washer	
	659700M1	1	Washer	
	353426X1	1	Nut Unf	
7	22258X	1	Bearing Assy	
8	783843M1	1	Pulley	
9	913967M1	1	Washer	
10	353518X1	1	Screw Unf	
	353446X1	1	Lock Washer	
11	353519X1	4	Screw Unf	
	353755X1	4	Washer	
	353446X1	4	Lock Washer	
	353916X1	4	Nut Unf	
12	619939M92	1	Frame	
13	227460M1	1	Pulley	
14	353516X1	4	Screw Unf	
	353446X1	4	Lock Washer	
	353916X1	4	Nut Unf	
15	353249X1	2	Bearing	
16	22286X	4	Flange	
17	228673M1	1	Sprocket	Number of teeth/spines 16
18	353518X1	1	Screw Unf	
19	913967M1	1	Washer	
20	659701M1	1	Key	
21	353832X1	1	Bolt Unf	
	353432X1	1	Lock Washer	
	659700M1	1	Washer	
	353426X1	1	Nut Unf	
22	232137M91	1	Sprocket	
23	355699X1	1	Key	
24	230717M91	1	Sprocket	Number of teeth/spines 32
25	667957M1	1	Washer	
26	353559X1	1	Screw Unf	
	353432X1	1	Lock Washer	
27	228729M1	1	Spacer	
	376847X1	1	Spacer	
28	353792X1	6	Bolt Unf	
	353446X1	6	Lock Washer	
	353916X1	6	Nut Unf	
29	783874M91	1	Bracket	
30	783910M1	1	Shaft	
31	659701M1	1	Key	
32	228671M1	1	Pulley	
33	913967M1	1	Washer	
34	353518X1	1	Screw Unf	
	353446X1	1	Lock Washer	
35	353516X1	2	Screw Unf	
	353755X1	2	Washer	
	353446X1	2	Lock Washer	
36	619948M1	1	Gate	
37	353516X1	2	Screw Unf	
	353446X1	2	Lock Washer	
	353916X1	2	Nut Unf	
38	619946M92	1	Cover	
39	353516X1	2	Screw Unf	
	353446X1	2	Lock Washer	
40	911593M95	1	Grille	
41	913967M1	1	Washer	
42	353518X1	1	Screw Unf	
	353446X1	1	Lock Washer	
43	606920M1	1	Spacer	
44	617586M91	2	Clamp	
45	339563X1	2	Screw Metric	
	339381X1	2	Lock Washer	
	390469X1	2	Washer Metric	

MASSEY FERGUSON**MF 520/525 COMBINES - 1646022****1646022****RADIATOR AIR INTAKE ARRANGEMENT****123**

Item	Part Number	Qty	Description	Comments
	390995X1	2	Nut Metric	
46	617998M92	1	Kit	

RADIATEUR ET VENTILATEUR
 KÜHLER UND GEBLÄSE
 RADIADOR Y VENTILADOR
 RADIATOR AND FAN



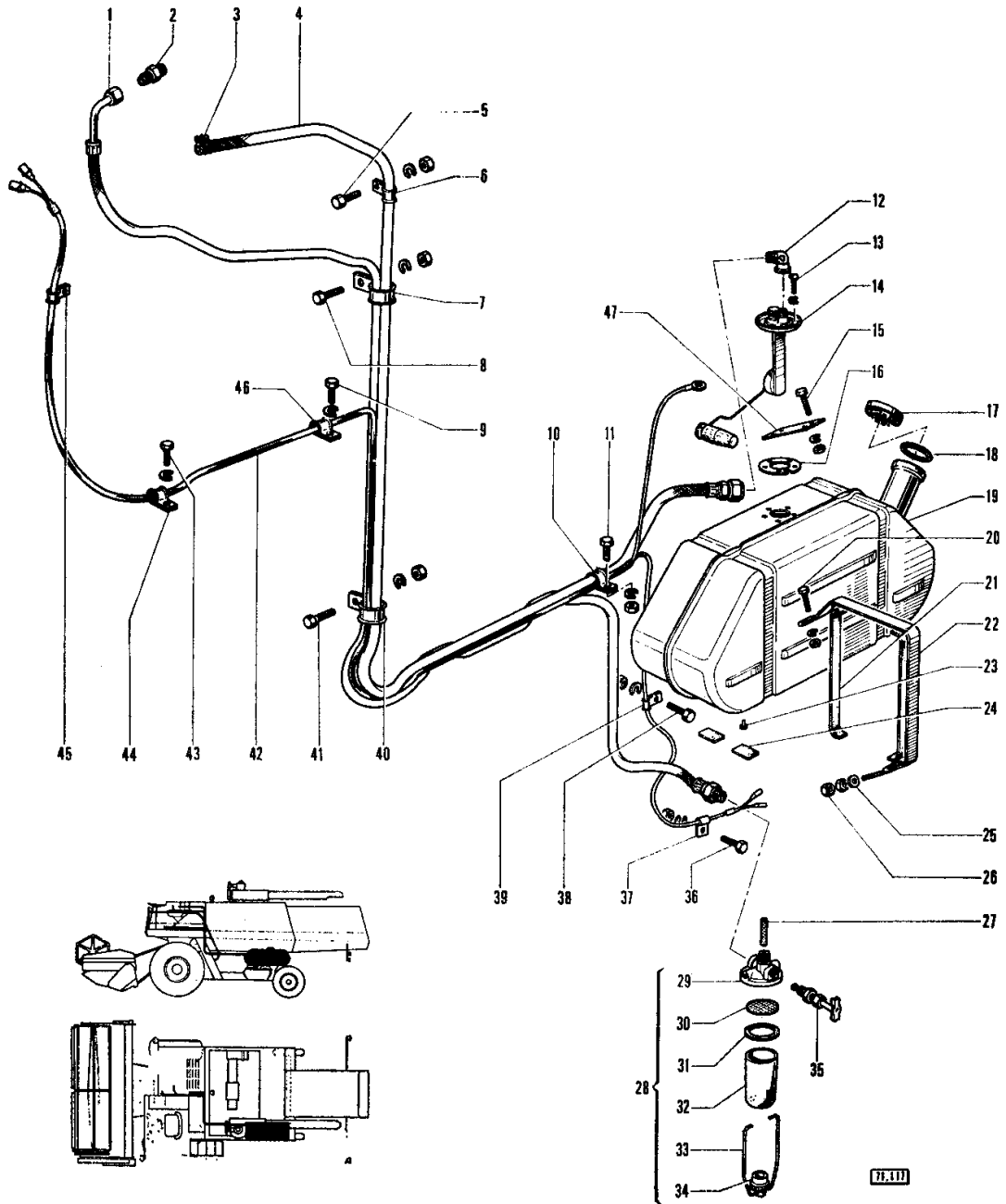
RADIATOR AND FAN

Item	Part Number	Qty	Description	Comments
1	619942M93	1	Panel	
2	619894M1	1	Radiator	
3	783924M1	1	Intake	
4	912925M1	1	Hose	
5	338618X1	2	Hose Clip	
6	783943M1	1	Tube	
	917633M91	1	Tube	(A)
	917632M1	1	Extension	(A)
7	2480X	2	Clamp	
8	912926M1	1	Hose	
9	783940M1	1	Fan	
10	353526X1	4	Bolt Unf	
	731398M1	2	Plate	
11	783926M91	1	Extension	
12	377281X1	9	Spacer	
13	360994X1	4	Strap	(B)
	784023M2	2	Pad	(C)
	354282X1	8	Screw Unc	
	353433X1	8	Lock Washer	
14	355127X1	9	Screw Unc	
	377279X1	9	Washer	
	355616X1	9	Washer	
	353754X1	5	Washer	
	363332X1	9	Washer	
	354120X1	9	Nut	
15	355128X1	10	Screw Unc	
	377279X1	10	Washer	
	377331X1	10	Spacer	
	355616X1	20	Washer	
	354120X1	10	Nut	
16	338618X1	1	Hose Clip	
17	230305M1	1	Hose	
	1604268M1	1	Connector	(A)
18	2480X	1	Clamp	
19	786505M1	1	Cock	
20	783938M91	1	Bearer	(B)
	1616449M92	1	Support	(C)
21	606778M91	1	Chassis	
22	783944M1	1	Tube	
23	2480X	1	Clamp	
24	353517X1	4	Screw Unf	
	353519X1	1	Screw Unf	
	911189M1	1	Washer	
	353446X1	4	Lock Washer	
25	912926M1	1	Hose	
26	2480X	1	Clamp	
27	606919M91	1	Transverse	
28	240405M1	1	Facing	
	784063M1	2	Strip	
	917187M1	4	Gasket	
	917001M1	1	Gasket	
29	353517X1	8	Screw Unf	
	353446X1	8	Lock Washer	
	353755X1	8	Washer	
	353916X1	8	Nut Unf	
30	220136M1	1	Cap	
31	606913M91	2	Cover	
32	353793X1	1	Bolt Unf	
	353755X1	1	Washer	
	353446X1	1	Lock Washer	
	353916X1	1	Nut Unf	

(A)
SPAIN
(B)
Up to Serial or Engine Number 16063
(C)
From Serial or Engine Number 16064

RESERVOIR A CARBURANT
 KRAFTSTOFFBEHALTER
 CONJUNTO DEL TANQUE DEL COMBUSTIBLE
 FUEL TANK ARRANGEMENT

127



FUEL TANK ARRANGEMENT

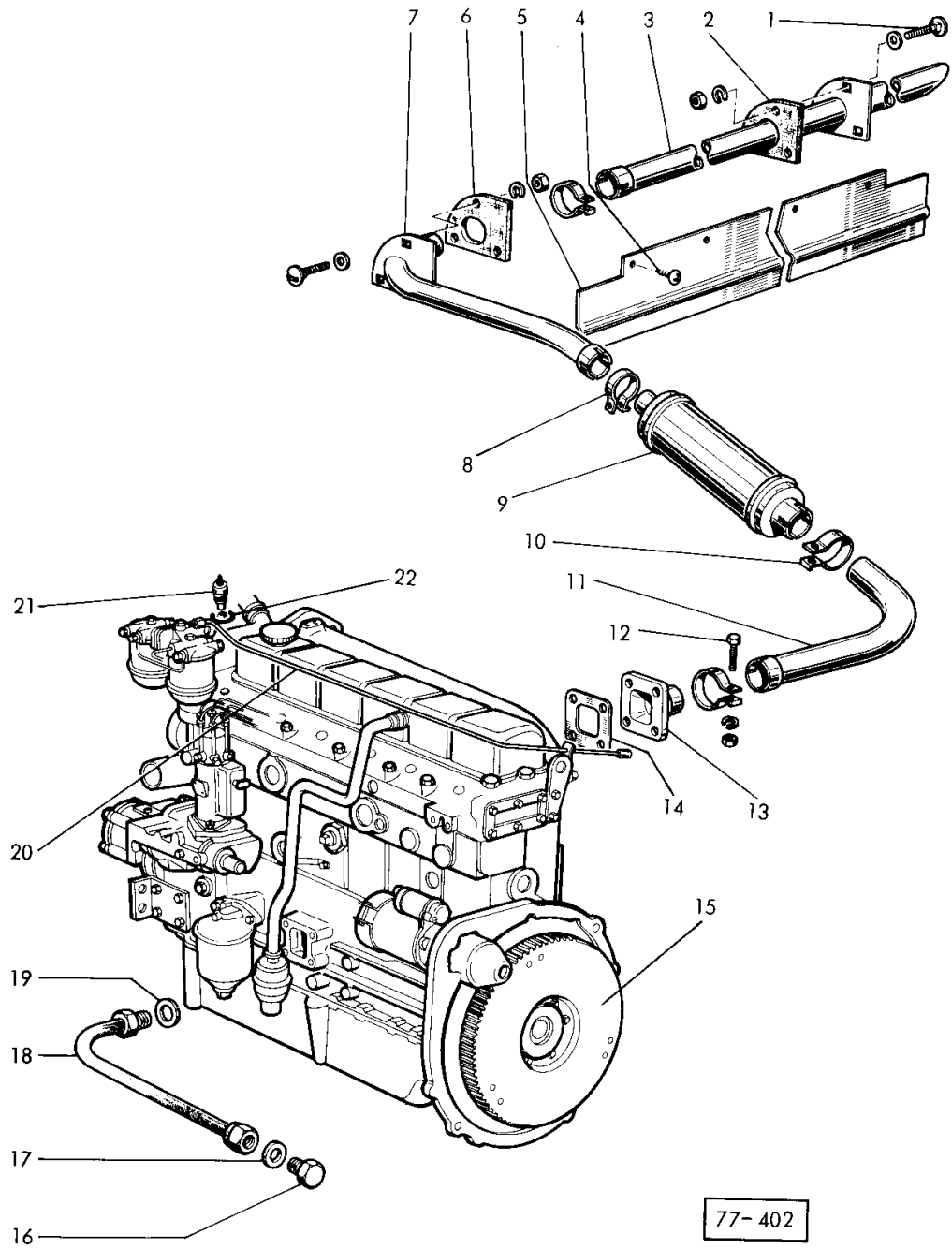
Item	Part Number	Qty	Description	Comments
1	833916M1	1	Hydr Hose	
2	358742X91	1	Union	
3	359477X1	1	Clamp	
4	904383M1	1	Hydr Hose	
5	353518X1	1	Screw Unf	
	353446X1	1	Lock Washer	
	353916X1	1	Nut Unf	
6	360058X1	1	Clip	
7	360058X1	1	Clip	
8	353517X1	1	Screw Unf	
	353446X1	1	Lock Washer	
	353916X1	1	Nut Unf	
9	353515X1	1	Screw Unf	
	353446X1	1	Lock Washer	
10	360052X1	1	Clamp	
11	353517X1	1	Screw Unf	
	353446X1	1	Lock Washer	
	353916X1	1	Nut Unf	
12	1413X	1	Elbow	
13	353982X1	5	Screw Unc	
	353445X1	5	Lock Washer	
14	911002M1	1	Float	
15	353504X1	2	Screw Unf	
	353441X1	2	Lock Washer	
	353918X1	2	Nut Unf	
16	240479M1	1	Gasket	
17	613896M1	1	Cap	
18	613897M1	1	Gasket	
19	619544M92	1	Reservoir	INCL. REF. 23
20	353503X1	4	Screw Unf	
	353441X1	4	Lock Washer	
	353918X1	4	Nut Unf	
21	243661M1	4	Skid	
22	243655M91	2	Plate	
23	1441783X1	3	Rivet	
24	243659M1	4	Skid	
25	353756X1	2	Washer	
26	355566X1	4	Nut Unc	
27	659715M91	1	Filter	
28	659754M1	1	Filter	INCL. REF. 29 TO 33, 35
	231369M91	1	Filter	INCL. REF. 29 TO 35
	231368M91	1	Strainer	
29	1504048M1	1	Head	(B)
	1023066M1	1	Cover	(C)
30	DV2389	1	Filter	(B)
	1001511M1	1	Filter	(C)
31	1004496M1	1	Gasket	(B)
	1010469M1	1	Gasket	(C)
32	1004498M91	1	Bowl	(B)
				INCL. REF. 31
	1018078M91	1	Bowl	(C)
33	1004499M91	1	Bail	(B)
	1018079M91	1	Bail	(C)
				INCL. REF. 34
34	1001516M1	1	Nut	(C)
35	1504049M1	1	Valve	(B)
	1505349M1	1	Cock	(C)
36	353516X1	1	Screw Unf	
	353446X1	1	Lock Washer	
	353916X1	1	Nut Unf	
37	623605M1	1	Clip	
38	353517X1	1	Screw Unf	
	353446X1	1	Lock Washer	
	353916X1	1	Nut Unf	
39	360037X1	1	Clamp	
40	360058X1	1	Clip	
41	353517X1	1	Screw Unf	
	353446X1	1	Lock Washer	
	353916X1	1	Nut Unf	

FUEL TANK ARRANGEMENT

Item	Part Number	Qty	Description	Comments
42	619581M1	1	Cable	
43	353515X1	1	Screw Unf	
	353446X1	1	Lock Washer	
44	360058X1	1	Clip	
45	360058X1	1	Clip	
46	360058X1	1	Clip	
47	243658M1	1	Plate	

(B)
SPARK PLUG DIVISION G. M. C.
(C)
TILLOTSON

MOTEUR - ECHAPPEMENT
 MOTOR - AUSPUFF
 MOTOR - ESCAPE
 ENGINE - EXHAUST SYSTEM

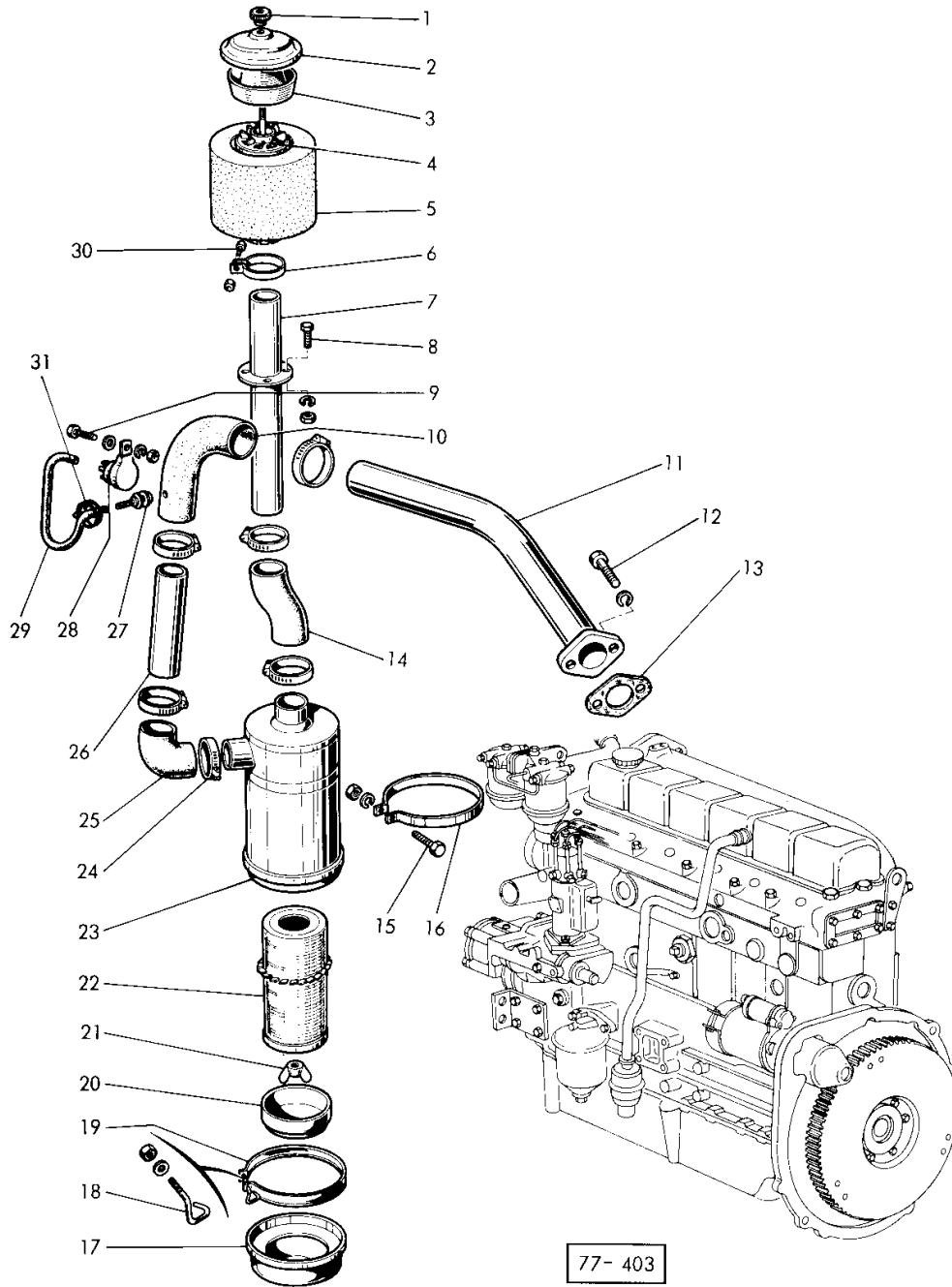


ENGINE - EXHAUST SYSTEM

Item	Part Number	Qty	Description	Comments
1	353794X1	6	Bolt Unf	
	353755X1	6	Washer	
	353446X1	6	Lock Washer	
	353916X1	6	Nut Unf	
2	912893M1	1	Gasket	
3	783935M91	1	Tube	
4	376953X1	7	Screw	
5	912948M1	1	Plate	
6	912888M2	1	Gasket	
7	912890M92	1	Tube	
8	230322M1	2	Clamp	
9	910387M1	1	Silencer	
10	230317M1	2	Clamp	
11	912884M1	1	Tube	
12	353521X1	4	Bolt Unf	
	353446X1	4	Lock Washer	
	353916X1	4	Nut Unf	
13	912883M1	1	Flange	
14	912882M1	1	Gasket	
15	912949M91	1	Engine	(A)
	1616450M91	1	Engine	(B)
	2814790M91	1	Engine	(C)
16	1501588M1	1	Plug	
17	221361M1	1	Seal	
18	911588M92	1	Hydr Hose	
19	364809X1	1	Gasket	
20	619554M91	1	Tube	
21	969606M2	1	Temp Gauge	(D-C)
	963418M1	1	Temp Gauge	(E)
22	1440997X1	1	Ring	

(A)
Up to Serial or Engine Number 16063
(B)
From Serial or Engine Number 16064
(C)
SPAIN
(D)
Up to Serial or Engine Number 16388
(E)
From Serial or Engine Number 16389

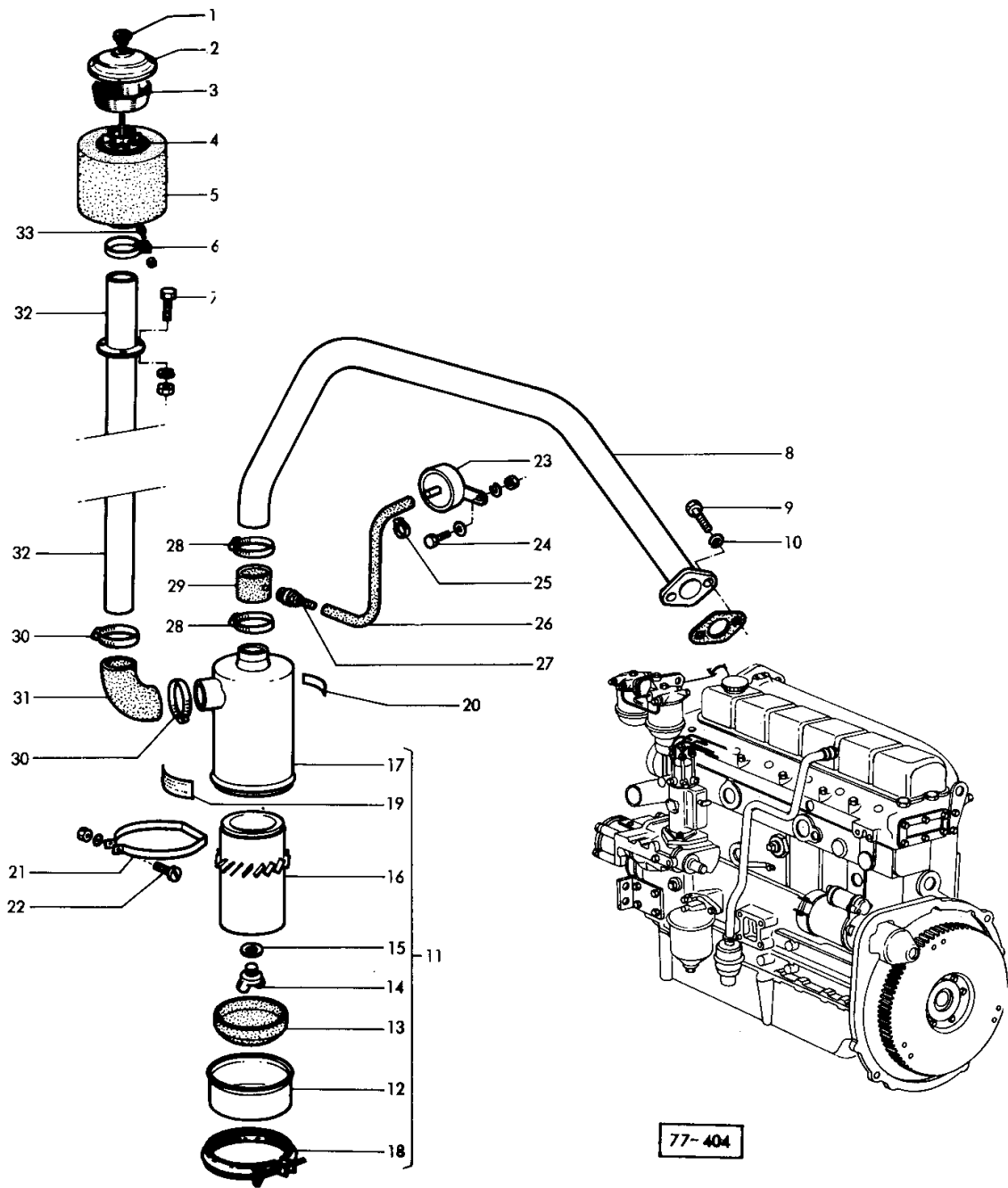
ADMISSION D'AIR }
 LUFTANSAUGSYSTEM } N°15 398
 ADMISION DE AIRE }
 AIR INTAKE }



AIR INTAKE

Item	Part Number	Qty	Description	Comments
				Up to Serial or Engine Number 15398
1	1804691M1	1	Nut	
2	1804690M1	1	Cap	
3	1804689M1	1	Sleeve	
4	1805178M1	1	Body	
5	1805179M1	1	Bag	
	911188M2	1	Cleaner	INCL. REF. 1 TO 5
6	609690M1	1	Collar	
7	619479M91	1	Tube	
8	353516X1	4	Screw Unf	
	353446X1	4	Lock Washer	
	353916X1	4	Nut Unf	
9	353517X1	1	Screw Unf	
	353755X1	1	Washer	
	353446X1	1	Lock Washer	
	353916X1	1	Nut Unf	
10	619492M1	1	Water Hose	
	619491M91	1	Water Hose	INCL. REF. 10, 27
11	912898M91	1	Tube	
12	353691X1	2	Screw Unc	
	353434X1	2	Lock Washer	
13	230313M1	1	Gasket	
14	619482M1	1	Water Hose	
15	353522X1	1	Bolt Unf	
	353446X1	1	Lock Washer	
	353916X1	1	Nut Unf	
16	230668M1	1	Clamp	
17	1025571M91	1	Cover	
18	1010459M1	1	Screw	
	1000651M1	1	Washer	
	1000650M1	1	Nut	
19	1025570M1	1	Clamp	
	1019619M91	1	Clamp	INCL. REF. 18,19
20	1025572M91	1	Cup	
21	1024948M1	1	Nut	
22	1025569M91	1	Element	
23	240737M91	1	Filter	INCL. REF. 17 TO 23
24	338619X1	6	Hose Clip	
25	912910M1	1	Water Hose	
26	619481M1	1	Tube	
27	963028M2	1	Valve	
28	963015M3	1	Vacuometer	
29	907683M1	1	Pipe	
30	339337X1	1	Screw Metric	
	339169X1	1	Nut Metric	
31	338612X1	1	Hose Clip	

ADMISSION D'AIR }
 LUFTANSAUGSYSTEM } N°15 399 → N° 15 999
 ADMISION DE AIRE }
 AIR INTAKE }



MASSEY FERGUSON
MF 520/525 COMBINES - 1646022

1646022

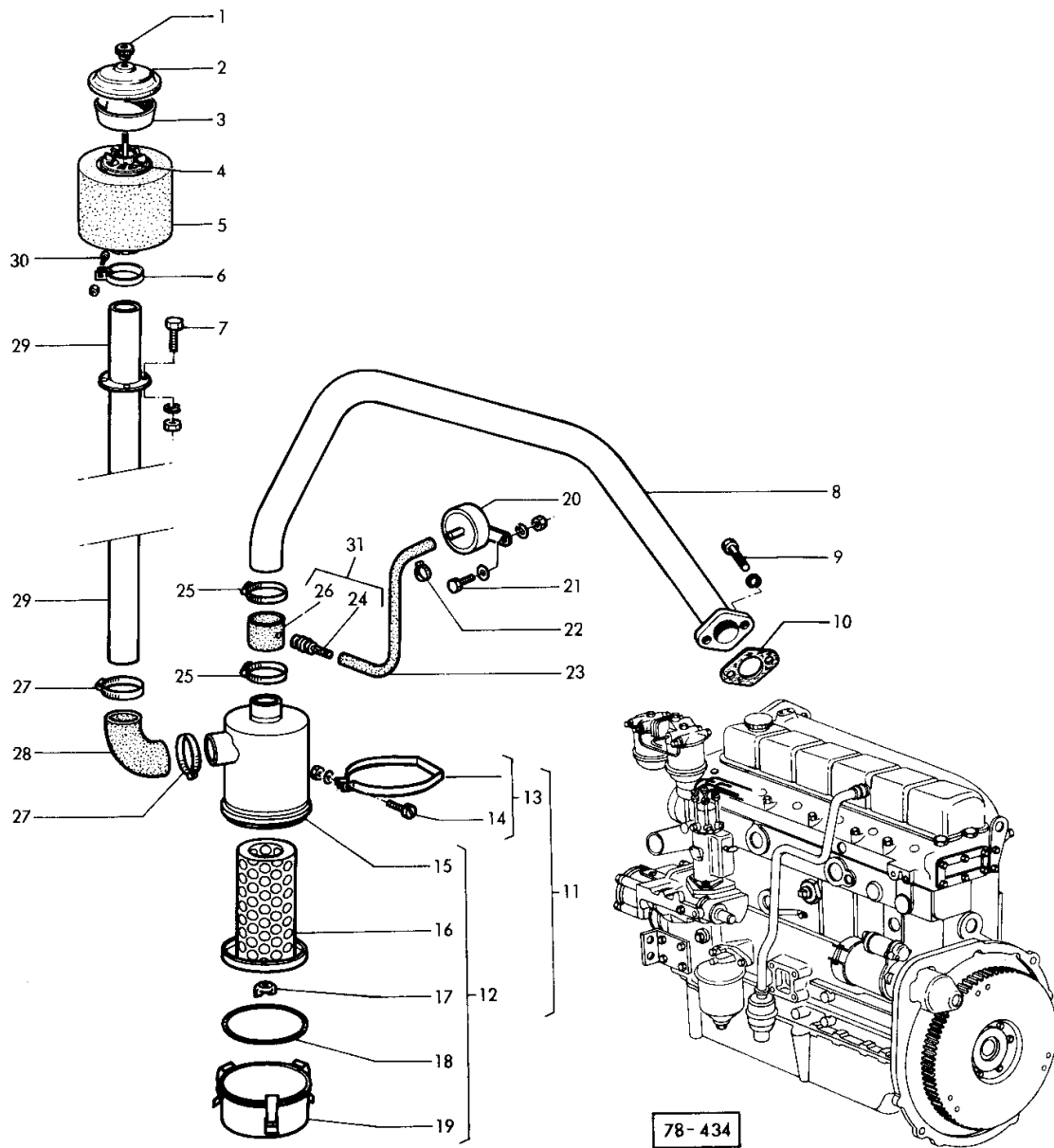
133B

AIR INTAKE - 15399-15999

Item	Part Number	Qty	Description	Comments
				15399-15999
1	1804691M1	1	Nut	
2	1804690M1	1	Cap	
3	1804689M1	1	Sleeve	
4	1805178M1	1	Body	
5	1805179M1	1	Bag	
	911188M2	1	Cleaner	INCL. REF. 1 TO 5
6	609690M1	1	Collar	
7	353516X1	4	Screw Unf	
	353446X1	4	Lock Washer	
	353916X1	4	Nut Unf	
8	1615937M91	1	Tube	
9	353691X1	2	Screw Unc	
	353434X1	2	Lock Washer	
10	230313M1	1	Gasket	
11	785980M91	1	Cleaner	
12	1884773M91	1	Cup	
13	1884772M1	1	Screen	
14	1884770M1	1	Nut	
15	1885787M91	1	Nut	
16	1884769M1	1	Element	
17	1884768M91	1	Body	
18	1019619M91	1	Clamp	
19	786918M1	1	Decal	
20	786914M1	1	Decal	
	786915M1	1	Decal	
	786916M1	1	Decal	
	786917M1	1	Decal	
21	230668M1	1	Clamp	
22	353522X1	1	Bolt Unf	
	353446X1	1	Lock Washer	
	353916X1	1	Nut Unf	
23	963015M3	1	Vacuometer	
24	353517X1	1	Screw Unf	
	353755X1	1	Washer	
	353446X1	1	Lock Washer	
	353916X1	1	Nut Unf	
25	338845X1	2	Washer	
26	609791M1	1	Tube	
27	963028M2	1	Valve	
28	338619X1	2	Hose Clip	
29	1615942M91	1	Water Hose	
30	338620X1	2	Clamp	
31	1615941M1	1	Water Hose	
32	1615939M91	1	Tube	
33	339337X1	1	Screw Metric	
	339169X1	1	Nut Metric	

133-C

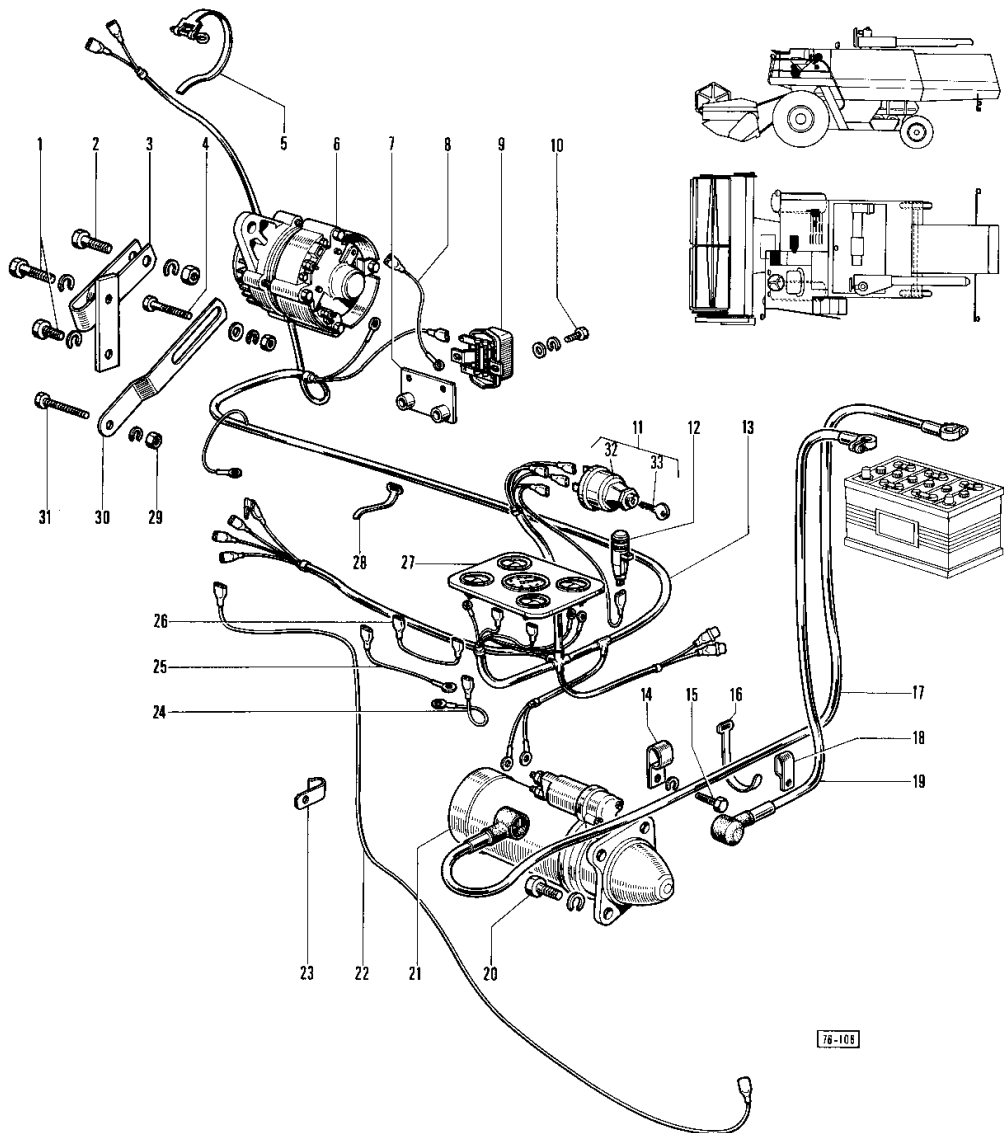
ADMISSION D'AIR }
 LUFTANSAUGSYSTEM } N° 16 000 →
 ADMISION DE AIRE }
 AIR INTAKE }



AIR INTAKE

Item	Part Number	Qty	Description	Comments
				From Serial or Engine Number 16000
1	1804691M1	1	Nut	
2	1804690M1	1	Cap	
3	1804689M1	1	Sleeve	
	1805178M1	1	Body	
5	1805179M1	1	Bag	
	911188M2	1	Cleaner	INCL. REF. 1 TO 5
6	609690M1	1	Collar	
7	353516X1	4	Screw Unf	
	353446X1	4	Lock Washer	
	353916X1	4	Nut Unf	
8	1615937M91	1	Tube	
9	353691X1	2	Screw Unc	
	353434X1	2	Lock Washer	
10	230313M1	1	Gasket	
11	1604852M91	1	Filter	INCL. REF. 12,13
12	1604853M91	1	Filter	
13	1604854M1	1	Clamp	
14	353522X1	1	Bolt Unf	
	353446X1	1	Lock Washer	
	353916X1	1	Nut Unf	
15	1639415M1	1	Filter Body	
16	1639413M1	1	Air Fitr.Element	
17	1639412M1	1	Nut	
18	1639411M1	1	Gasket	
19	1639414M1	1	Cover	
20	963015M3	1	Vacuumeter	
21	353517X1	1	Screw Unf	
	353755X1	1	Washer	
	353446X1	1	Lock Washer	
	353916X1	1	Nut Unf	
22	338845X1	2	Washer	
23	609791M1	1	Tube	
24	963028M2	1	Valve	
25	338619X1	2	Hose Clip	
26	1615943M91	1	Water Hose	
27	338620X1	2	Clamp	
28	1615941M1	1	Water Hose	
29	1615939M91	1	Tube	
30	339337X1	1	Screw Metric	
	339169X1	1	Nut Metric	
31	1615942M91	1	Water Hose	

EQUIPEMENT ELECTRIQUE }
 ELEKTRISCHE AUSRÜSTUNG } → N° 16 388
 EQUIPO ELECTRICO }
 ELECTRICAL EQUIPMENT }



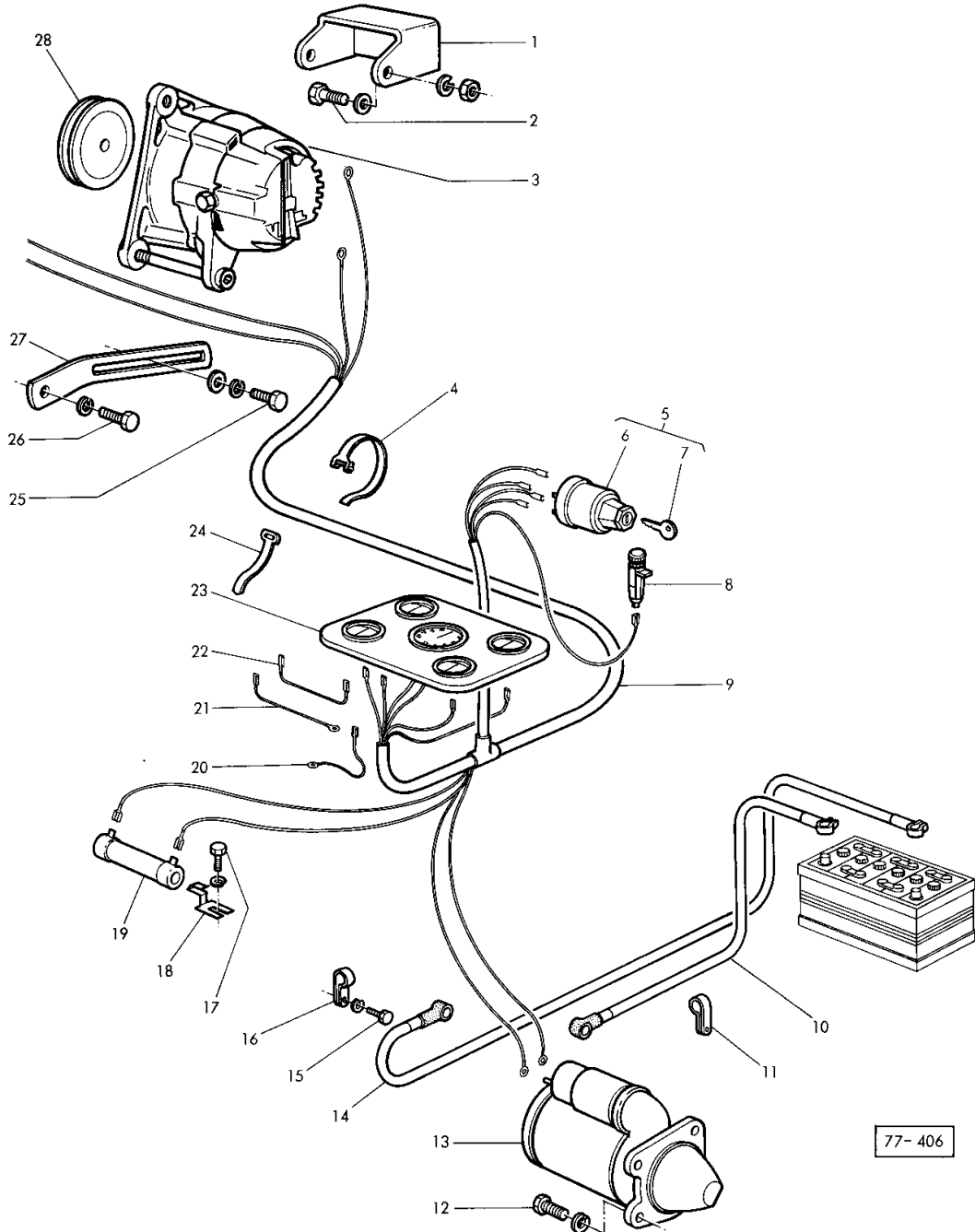
ELECTRICAL EQUIPMENT

Item	Part Number	Qty	Description	Comments
				Up to Serial or Engine Number 16388
1	353539X1	1	Screw Unf	
	353551X1	1	Bolt Unf	
	353434X1	2	Lock Washer	
2	339556X1	1	Bolt Metric	
	1440314X1	1	Washer	
	339402X1	1	Nut Metric	
3	912957M91	1	Bearer	
4	353519X1	1	Screw Unf	
	353446X1	1	Lock Washer	
	353916X1	1	Nut Unf	
	353755X1	1	Washer	
5	880067M1	3	Clip	
6	908487M2	1	Alternator	(A)
7	619551M93	1	Bearer	
8	619580M2	1	Wire	
9	906056M1	1	Regulator	
10	339230X1	2	Screw Metric	
	353754X1	2	Washer	
	353441X1	2	Lock Washer	
11	785520M92	1	Switch	INCL. REF. 32,33
12	619584M91	1	Lamp	INCL. REF. 12
	619585M1	1	Pointer	
	907867M1	1	Bulb	
13	619582M3	1	Harness	
14	621381M1	1	Bridle	(B)
15	353698X1	1	Screw Unc	(B)
	353432X1	1	Lock Washer	(B)
16	656737M1	1	Clip	(C)
17	619589M1	1	Cable	
18	619591M1	1	Strap	
19	619590M1	1	Cable	
20	353691X1	3	Screw Unc	
	353434X1	3	Lock Washer	
21	964260M1	1	Startermotor	(D)
22	606909M1	1	Wire	(B)
23	950235M1	2	Strap	
24	619587M2	1	Wire	
25	619586M1	1	Wire	
26	619588M1	1	Wire	
27	619227M1	1	Instrument Panel	
28	656447M1	3	Collar	
29	353916X1	1	Nut Unf	
	353446X1	1	Lock Washer	
30	912974M2	1	Lever	
31	912974M2	1	Lever	
32	785541M1	1	Switch	
33	883930M1	2	Ignition Key	

(A)
See Page - Reference Number 136
(B)
WITHOUT LIGHTING EQUIPMENT
(C)
WITH LIGHTING EQUIPMENT
(D)
See Page - Reference Number 139
(E)
See Page - Reference Number 287

135-A

EQUIPEMENT ELECTRIQUE }
 ELECTRISCHE AUSRÜSTUNG } N° 16 389 →
 EQUIPO ELECTRICO }
 ELECTRICAL EQUIPMENT }



500 0 505 0

1646 022 M2 (1) 5/77

ELECTRICAL EQUIPMENT

Item	Part Number	Qty	Description	Comments
				From Serial or Engine Number 16389
1	739415M1	1	Bracket	
2	353521X1	1	Bolt Unf	
	353523X1	1	Bolt Unf	
	353755X1	2	Washer	
	353446X1	2	Lock Washer	
	353916X1	2	Nut Unf	
3	1446923M1	1	Alternator	(A)
4	880067M1	3	Clip	
5	785520M92	1	Switch	
6	785541M1	1	Switch	
7	883930M1	2	Ignition Key	
8	1616145M91	1	Control	
	1616144M1	1	Lamp	
	907867M1	1	Bulb	
9	1616049M1	1	Harness	
	619582M3	1	Harness	(B)
10	619590M1	1	Cable	
11	619591M1	1	Strap	
12	353691X1	3	Screw Unc	
	353434X1	3	Lock Washer	
13	1860093M2	1	Startermotor	(C)
	969112M1	1	Cable	
14	619589M1	1	Cable	
15	353698X1	1	Screw Unc	
	354432X1	1	Bolt Unf	
16	621381M1	1	Bridle	
17	1441042X1	2	Screw	
	353752X1	2	Washer	
18	1615668M1	2	Bracket	
19	1615667M1	1	Resistor	
20	619587M2	1	Wire	
21	619586M1	1	Wire	
22	619588M1	1	Wire	
23	619227M1	1	Instrument Panel	(D)
24	656447M1	3	Collar	
25	353678X1	1	Screw Unc	
	353755X1	1	Washer	
	353446X1	1	Lock Washer	
26	353517X1	1	Screw Unf	
	353446X1	1	Lock Washer	
27	740421M1	1	Lever	
28	739118M1	1	Pulley	

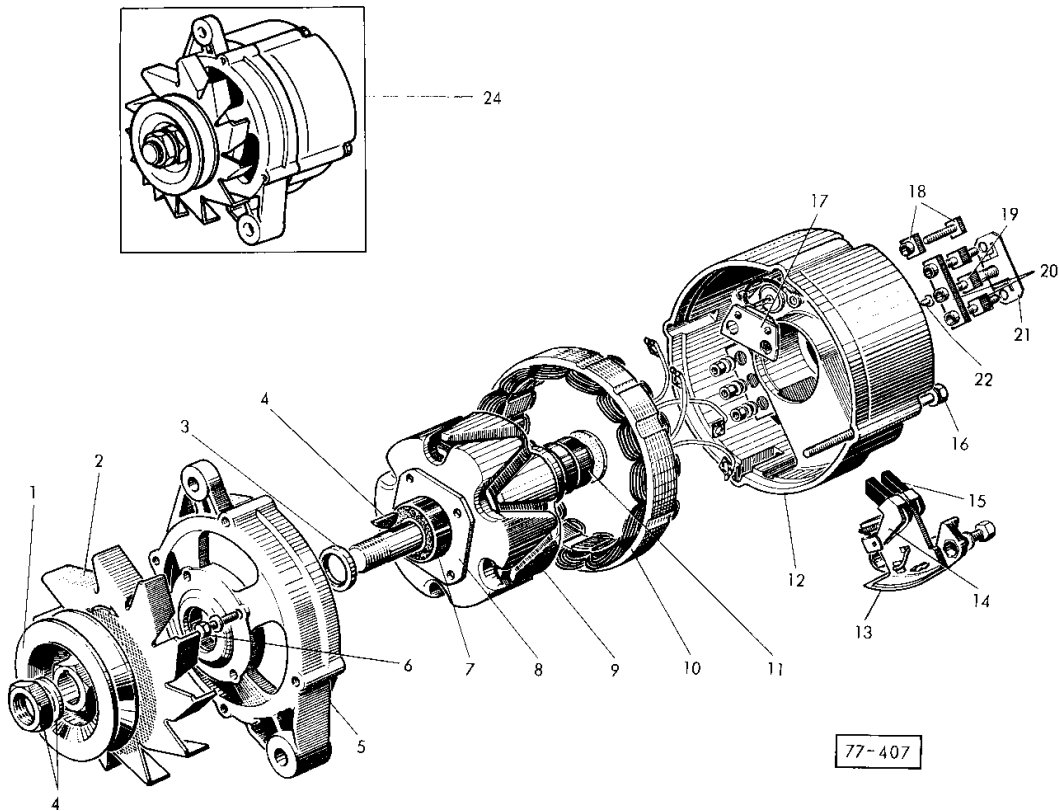
(A)
See Page - Reference Number 139A

(B)
ESPAGNE

(C)
See Page - Reference Number 139D

(D)
See Page - Reference Number 287

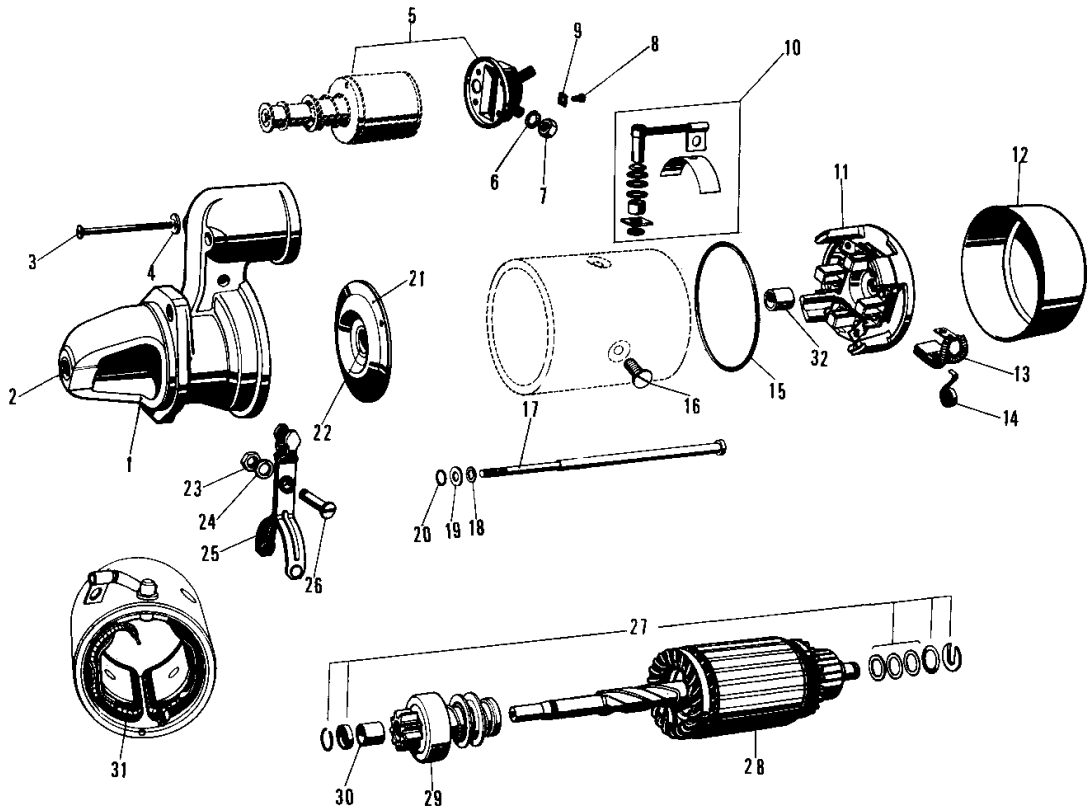
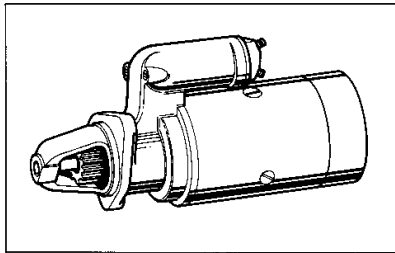
ALTERNATEUR }
DREHSTROMGENERATOR } → N° 16 388
ALTERNADOR }
ALTERNATOR }



ALTERNATOR

Item	Part Number	Qty	Description	Comments
				Up to Serial or Engine Number 16388
1	1805502M1	1	Pulley	
2	1805503M1	1	Fan	
3	1805504M1	1	Spacer	
4	1805505M1	1	Pulley	
5	1805506M1	1	Bearing Carrier	INCL. REF. 6,7,8
	1805507M1	1	Bearing Carrier	
6	1805509M1	1	Screw	
7	29963X1	1	Bearing	
8	1805508M1	1	Washer	
9	1805511M1	1	Rotor	
10	1805512M1	1	Stator	
11	1805535M1	1	Bearing	
12	1805513M91	1	Bearing Carrier	INCL. REF. 13,14,15,17 TO 21
	1805514M1	1	Bearing Carrier	
13	1805515M1	1	Bearer	INCL. REF. 14,15
15	1805517M1	2	Brush	
	1805518M1	1	Brush	
16	1805510M1	1	Screw	
17	1805519M1	1	Condenser	
18	1805520M1	2	Connection	Diameter 5
19	1805521M1	1	Connection	Diameter 6
20	1805522M1	1	Bearer	
21	1805523M1	1	Fuse	
22	1805524M1	1	Plug	
23	1805526M1	1	Control Box	(A)
24	908487M2	1	Alternator	(A) NOT ILLUSTRATED

DEMARREUR }
 ANLASSER } → N° 16 388
 MOTOR DE ARRANQUE }
 STARTER }



77-408

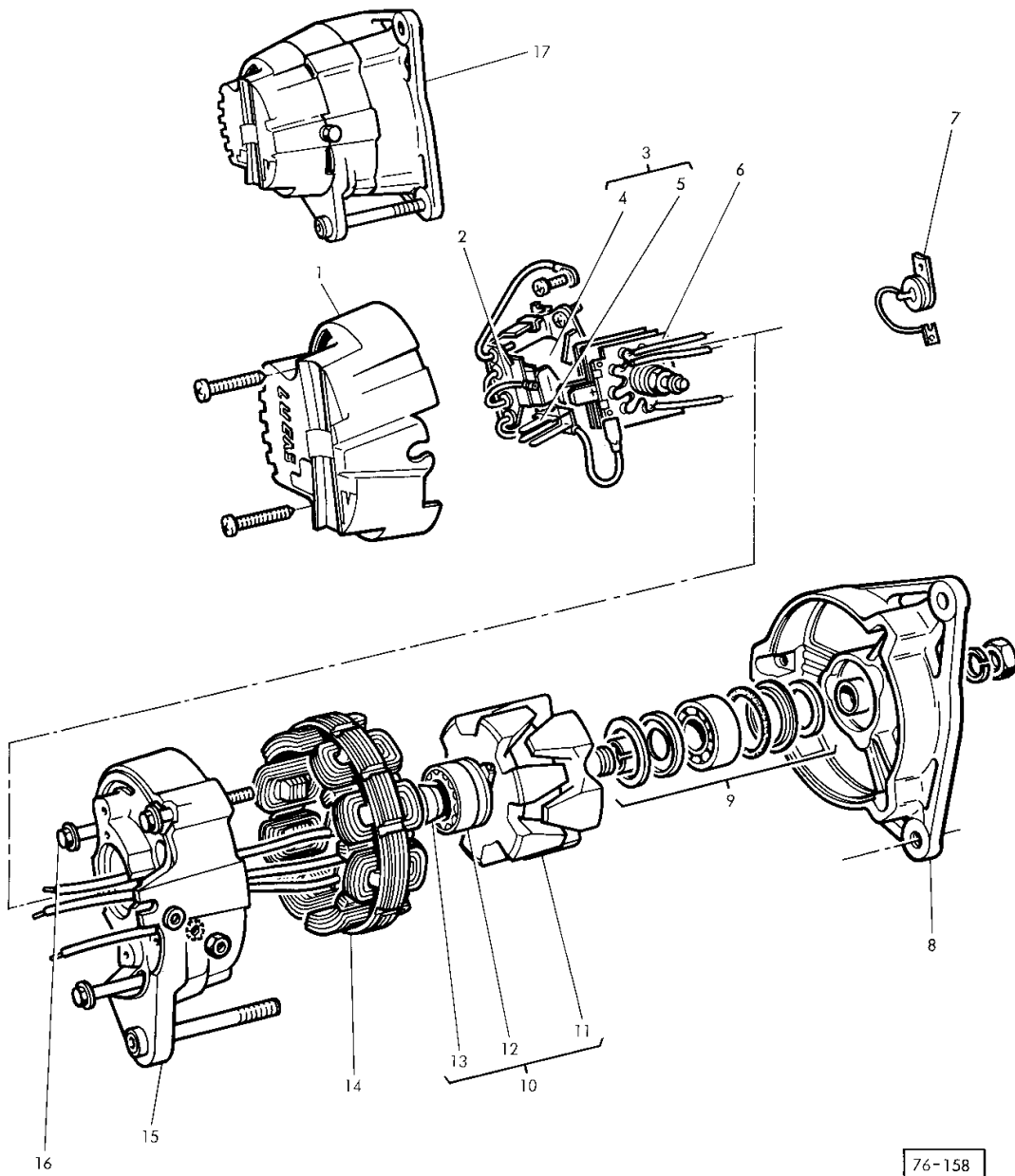
STARTER

Item	Part Number	Qty	Description	Comments
				Up to Serial or Engine Number 16388
1	1805688M91	1	Bracket	INCL. REF. 2
2	1805433M1	1	Bush	
3	1805464M1	2	Screw	
4	1805441M1	2	Lock Washer	
5	1805670M91	1	Solenoid	INCL. REF. 8, 9
6	339376X1	2	Lock Washer	
7	1805465M1	2	Nut	
8	1805671M1	1	Screw	
9	1805672M1	1	Plate	
10	1805467M1	1	Kit, Repair	
11	1805448M91	1	Bearing Carrier	INCL. REF. 32
12	1805452M1	1	Cap	
13	1805450M1	4	Kit, Brush	
14	1805451M1	4	Spring	
15	1805453M1	1	Gasket	
16	1805431M1	4	Screw	
17	1805665M1	2	Screw	
18	1805441M1	2	Washer	
19	1805440M1	2	Washer	
20	1805666M1	2	Gasket	
21	1805442M91	1	Bearing Carrier	INCL. REF. 22
22	1805443M1	1	Bush	
23	1805437M1	1	Nut	
24	339374X1	1	Lock Washer	
25	1805434M1	1	Lever	
26	1805435M1	1	Bolt	
27	1805445M1	1	Kit, Repair	
28	1805444M1	1	Armature	
29	1805667M91	1	Drive	INCL. REF. 30
30	1805447M1	1	Bearing	
31	1805430M1	1	Kit, Coil	
32	1805449M1	1	Bush	
33	964260M1	1	Startermotor	

139-A

ALTERNATEUR
DREHSTROMGENERATOR
ALTERNADOR
ALTERNATOR

} N ° 16 389 →

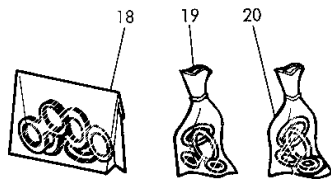
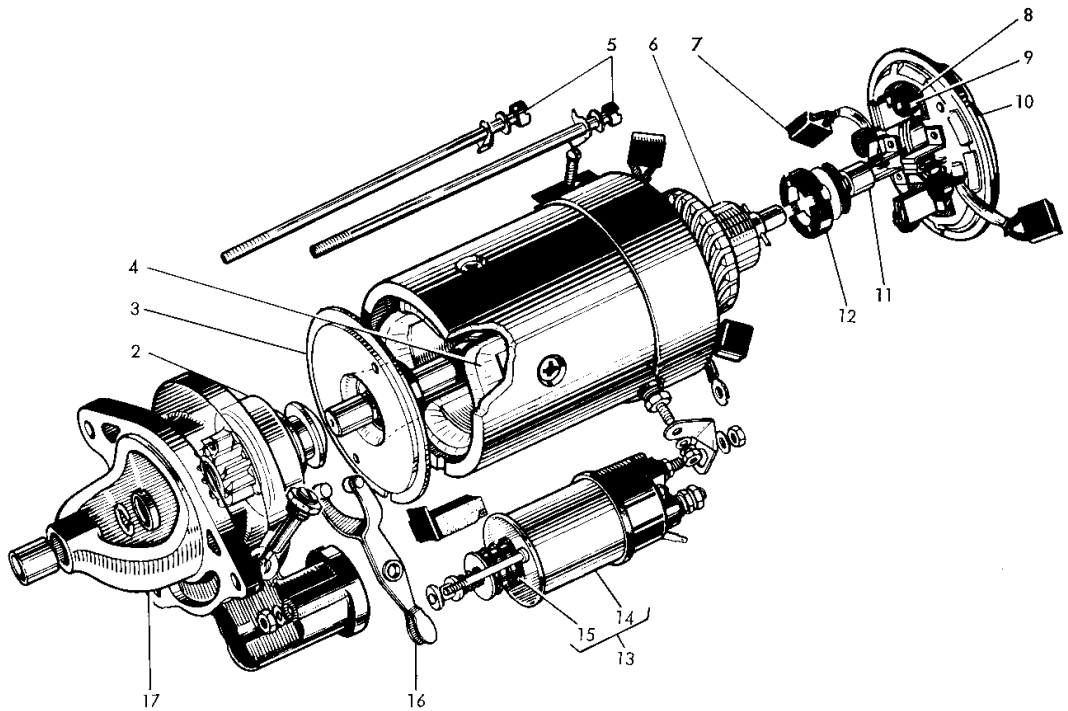
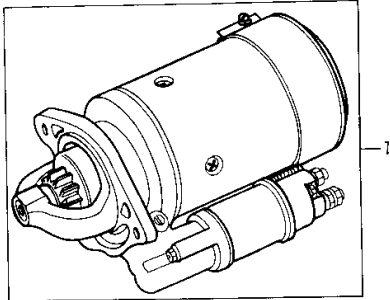


76-158

ALTERNATOR

Item	Part Number	Qty	Description	Comments
				From Serial or Engine Number 16389
1	1889096M1	1	Cover	
2	1887416M1	1	Regulator	
3	1887425M1	1	Box	
4		1		Not serviced, order REF. 3
5	1887426M1	1	Brush	
6	1888323M1	1	Rectifier	
7	1889099M1	1	Protector	
8	1888324M1	1	Support	
9	1889097M1	1	Bearing Assy	
10	1889098M1	1	Rotor	
11		1		Not serviced, order REF. 10
12	1887422M1	1	Kit, Bearing	
13	1887421M1	1	Ring	
14	1889101M1	1	Stator	
15	1888326M1	1	Bearing Carrier	
16	1887427M1	1	Bolt	
17	1446923M91	1	Alternator	

DEMARREUR
ANLASSER
MOTOR DE ARRANQUE
STARTER } N° 16 389 →

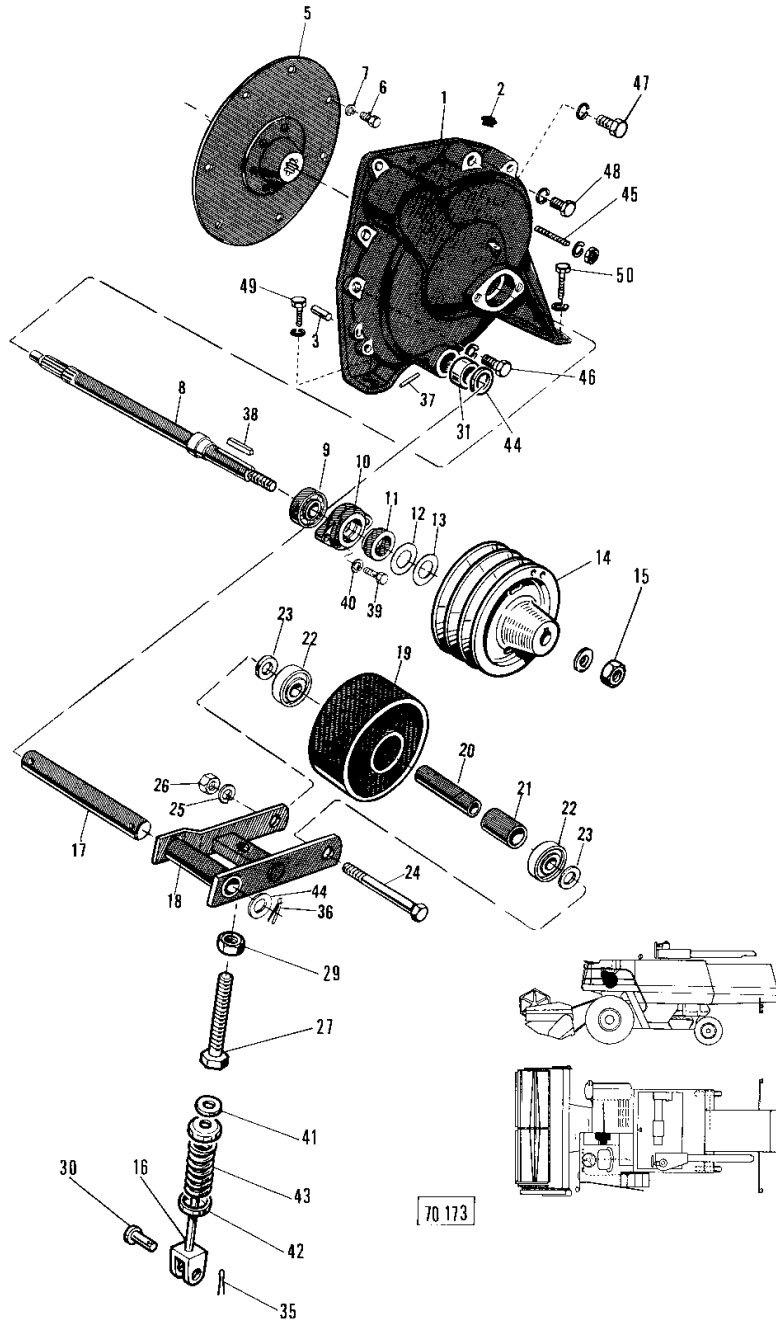


75-548

STARTER

Item	Part Number	Qty	Description	Comments
				From Serial or Engine Number 16389
1	1860093M2	1	Startermotor	
2	1888292M91	1	Drive	
3	1805998M1	1	Bracket	
4	1887953M91	1	Coil	
5	1887962M1	2	Bolt	
6	1887964M91	1	Armature	
7	1806001M1	1	Kit, Brush	
8	1887952M91	1	Kit, Brush Plate	
9	1887965M91	1	Spring	
10	1806009M1	1	Housing	
11	1887955M91	1	Kit, Bush	
12	1887956M91	1	Kit, Brake	
13	1887960M91	1	Solenoid Switch	
14	1887961M91	1	Housing	
15	1806226M1	1	Spring	
16	1887958M1	1	Fork	
17	1635906M91	1	Bearing Carrier	
18	1887967M91	1	Kit, Sundry	
19	1806002M1	1	Kit, Seal	
20	1806003M1	1	Kit, Seal	

ARBRE DE SORTIE DU MOTEUR
 MOTOR - ZAPFWELLE
 EJE DE SALIDA DEL MOTOR
 ENGINE POWER OUTPUT SHAFT



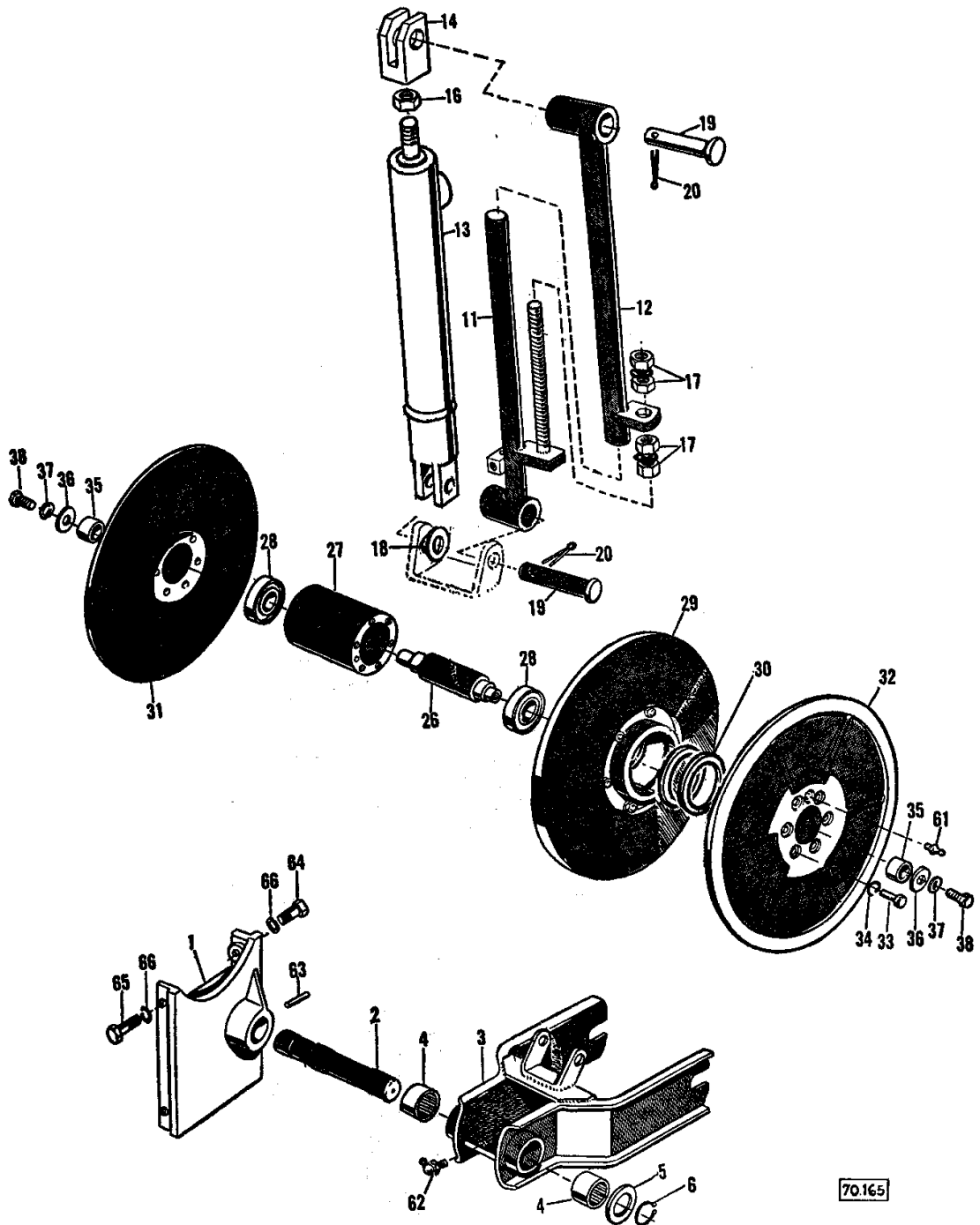
ENGINE POWER OUTPUT SHAFT

Item	Part Number	Qty	Description	Comments
1	911349M1	1	Housing	
	2814981M91	1	Housing	(A)
2	732902M1	1	Plug	
3	832253M1	2	Pin	
5	230925M91	1	Disc	
6	203028M1	6	Screw	
7	353434X1	6	Lock Washer	
8	619852M2	1	Shaft	
9	833647M1	1	Bearing	
10	606851M1	1	Plug	
11	606852M1	1	Bush	
12	832533M1	X	Shim	0.31"
13	832534M1	X	Shim	0.62"
14	912690M1	1	Pulley	
15	913922M1	1	Nut	
16	787193M1	1	Rod	
17	911752M2	1	Clevis Pin	
18	912776M92	1	Bearer	
	2814982M91	1	Bracket	
19	911751M1	1	Pulley	
20	911758M1	1	Spacer	
21	911759M1	1	Spacer	
22	22258X	2	Bearing Assy	
23	360279X1	2	Spacer	
24	353635X1	1	Bolt Unf	
25	353433X1	2	Lock Washer	
26	353427X1	1	Nut Unf	
27	912899M1	1	Screw	
29	353921X1	1	Nut Unf	
30	195397M1	1	Clevis Pin	
31	338551X1	1	Spacer	
35	354066X1	1	Pin	
36	354083X1	1	Pin	
37	16738X	1	Pin	
38	338610X1	1	Key	
39	353681X1	2	Bolt Unc	
40	353446X1	2	Lock Washer	
41	355621X1	1	Washer	
42	787195M1	2	Washer	
43	787201M1	1	Spring	
44	831060M1	X	Washer	
45	792672M1	2	Stud	
	353432X1	2	Lock Washer	
	353426X1	2	Nut Unf	
46	354632X1	2	Bolt Unc	
	353434X1	2	Lock Washer	
47	353699X1	1	Screw Unc	
	353432X1	1	Lock Washer	
48	353710X1	3	Bolt Unc	
	353432X1	3	Lock Washer	
49	353561X1	2	Screw Unf	
	353432X1	2	Lock Washer	
50	353563X1	2	Bolt Unf	
	353432X1	2	Lock Washer	

(A)
SPAIN

POULIE DE VARIATEUR ET COMMANDE D'AVANCEMENT
 RIEMENSCHIBEN FUER GESCHWINDIGKEITSVERSTELLUNG
 POLEAS DEL VARIADOR DE MANDO DE VELOCIDA
 VARIABLE SPEED PULLEYS

143



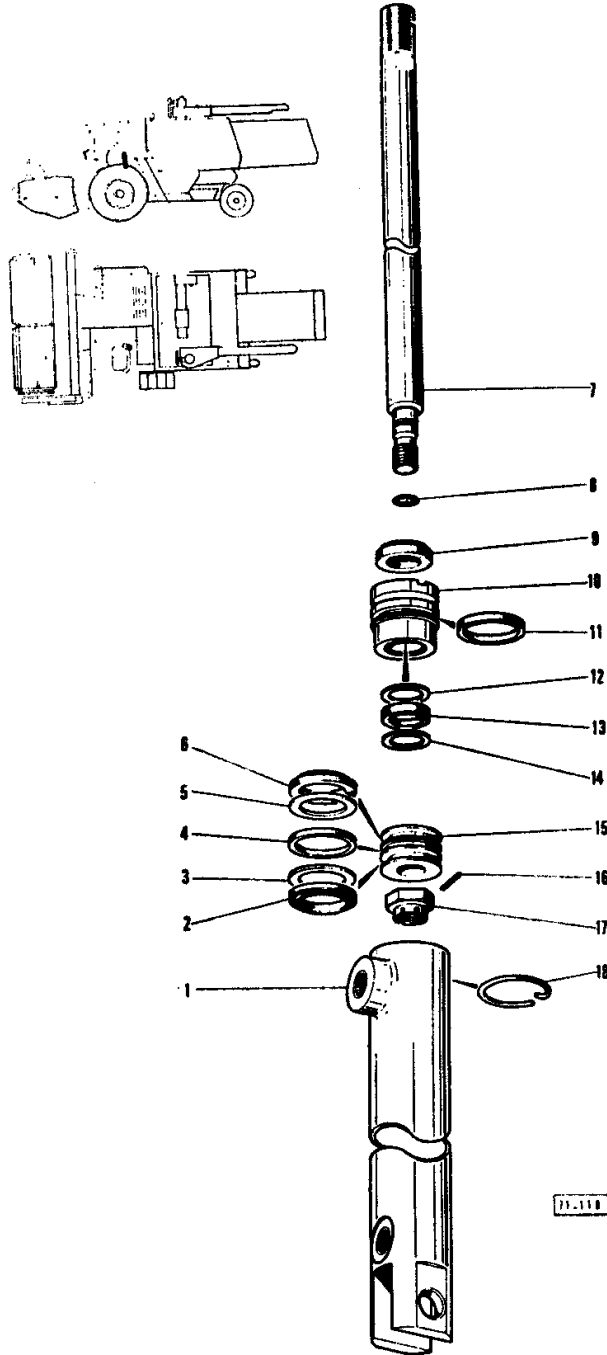
70.165

VARIABLE SPEED PULLEYS

Item	Part Number	Qty	Description	Comments
1	226854M1	1	Bracket	
2	226855M1	1	Shaft	
3	240307M91	1	Fork	INCL. REF. 4
	910198M91	1	Fork	(A) INCL. REF. 4
4	831224M1	2	Needle	
5	852285M1	1	Spacer	
6	354946X1	1	Ring	
11	240309M91	1	Stem	
12	240314M92	1	Tube	
13	619675M2	1	Cylinder	(B) (C)
	1748184M91	1	Ram	(D) (C)
14	619782M1	1	Clevis	
16	339495X1	1	Nut	
17	375111X1	4	Nut Unc	
	22466X1	2	Washer	
18	361107X1	1	Washer	
19	363935X1	2	Clevis Pin	
20	354076X1	2	Pin	
26	226869M1	1	Shaft	
27	226864M2	1	Hub	
28	832305M1	2	Bearing	
29	226865M91	1	Pulley	
30	226852M1	2	Strip	
31	226863M1	1	Pulley	
32	226870M1	1	Pulley	
33	911149M1	12	Bolt	
34	911189M1	12	Washer	
35	360712X1	2	Spacer	
36	791470M1	2	Washer	
37	353439X1	2	Lock Washer	
38	354393X1	2	Screw Unf	
61	13811X	1	Grease Nipple	
62	13222X	1	Greaser	
63	360006X1	1	Pin	
64	353698X1	3	Screw Unc	
65	353698X1	1	Screw Unc	
66	353432X1	4	Lock Washer	
				(A) FOR DEUTSCHLAND
				(B) SEE DETAILS PAGE 144
				(C) ALTERNATIVE
				(D) SEE DETAILS PAGE 145B
3				

144

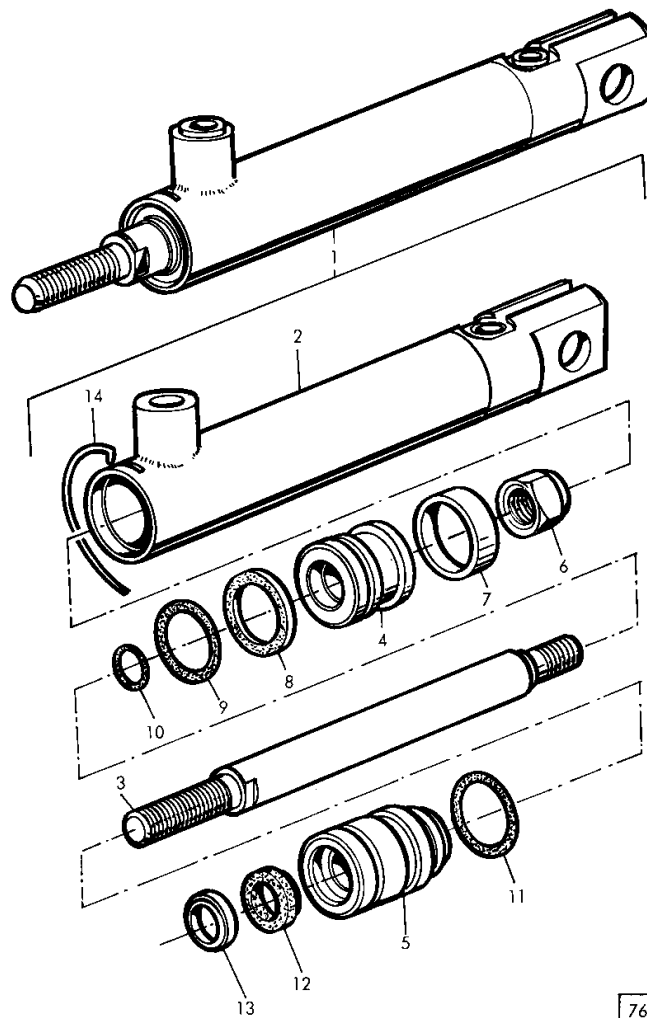
VERIN }
ZYLINDER }
CILINDRO } 619 675 M1
RAM }



RAM

Item	Part Number	Qty	Description	Comments
				From Serial or Engine Number 619675M1, 619675M2 Up to Serial or Engine Number 14227
	619675M1	1	Ram	INCL. REF. 10 AND 1635866M91
	619675M2	1	Ram	INCL. REF. 10 AND 1632997M91
1		1	Barrel	(C)
2		1	Bush	(C)
3		1	Washer	(A)
4		1	Seal	(B)
5		1	Washer	(C)
6		1	Bush	(A)
7		1	Rod	(C)
8		1	O Ring	(B)
9		1	Scraper	(B)
10	1806916M1	1	Bush	
11		1	Seal	(B)
12		1	Washer	(B)
13		1	Seal	(B)
14		1	Washer	(B)
15		1	Pin	(C)
16		1	Pin	(B)
17		1	Nut	(C)
18		1	Wire	(B)
	1635866M91	X	Kit, Seal	INCL. REF. 3,4,6,8,9,11,12,13, 14,16,18
	1632997M91	X	Parts Pack	INCL. REF. 4,8,9,11,12,13,14, 16,18 (A) Not serviced, order 1635866M91 (B) Not serviced, order 1632997M91 OR 1635866M91 (C) Not serviced, order 619675M2

VERIN
HYDRAULIKZYLINDER
CILINDRO HIDRAULICO
RAM

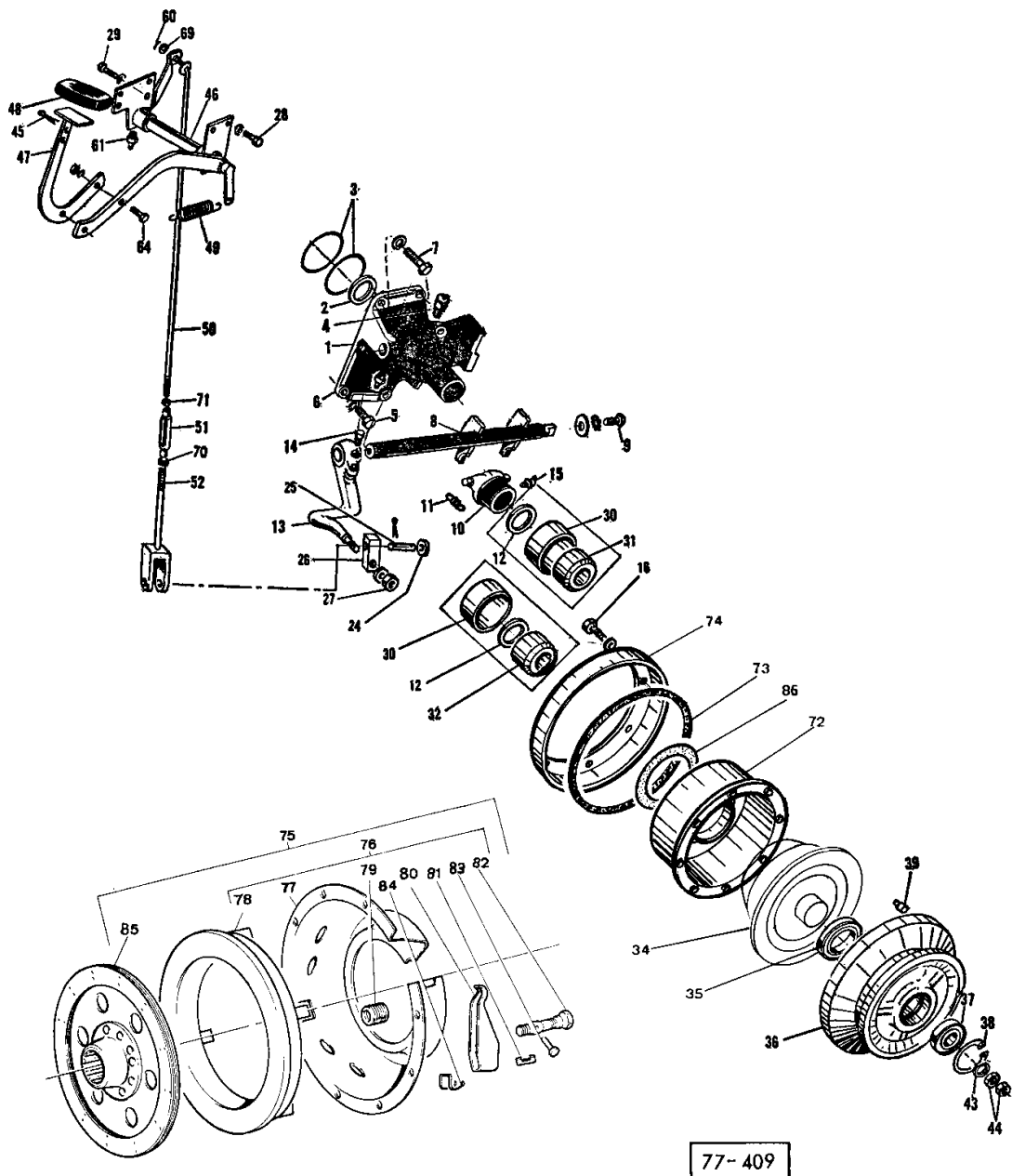


76-107

RAM

Item	Part Number	Qty	Description	Comments
				From Serial or Engine Number 14228 1748184M91 TRACTION INCL. REF. 2 TO 14
1	1748184M91	1	Ram	
2	1748286M91	1	Tube	
3	1748271M1	1	Stem	
4	1748264M1	1	Piston	
5	1748262M1	1	Bearing	
6	1442494X1	1	Nut Metric	
7	1606804M1	1	Ring	
8	1606801M1	1	Ring	
9	367178X1	1	Ring	
10	1442713X1	1	Seal	
11	1748324M1	1	Ring	
12	1748346M1	1	Seal	
13	1441781X1	1	Seal	
14	1748009M1	1	Wire	

EMBAYAGE D'AVANCEMENT ET COMMANDE
 FAHRANTRIEBSKUPPLUNG
 EMBRAGUE DE VELOCIDAD Y MANDO
 TRACTION CLUTCH



TRACTION CLUTCH

Item	Part Number	Qty	Description	Comments
1	1615415M91	1	Cover	
2	658142M1	1	Seal	
3	362026X1	1	Shim	004
	362027X1	1	Shim	002
	362028X1	2	Shim	012
	338832X1	1	Shim	0008
4	190729M91	1	Breather	
5	353699X1	2	Screw Unc	
	353700X1	3	Screw Unc	
	353432X1	5	Lock Washer	
6	364461X1	1	Nipple	(B)
	MP1056	1	Grease Nipple	(C)
7	353701X1	2	Screw Unc	
	353432X1	2	Lock Washer	
8	619430M93	1	Fork	
9	353516X1	1	Screw Unf	
	353446X1	1	Lock Washer	
	832035M1	1	Washer	
10	1615418M1	1	Bearing Carrier	(B)
	1615768M1	1	Bearing	(C)
11	233091M1	1	Spring	
12	606800M1	1	Washer	
13	789162M1	1	Lever	
14	353561X1	1	Screw Unf	
	353432X1	1	Lock Washer	
15	15438X	1	Nipple	(B)
	MP1058	1	Nipple	(C)
16	353693X1	8	Screw Unc	
	353434X1	8	Lock Washer	
24	354057X1	1	Pin	
	355619X1	1	Washer	
25	195609M1	1	Clevis Pin	
26	789141M1	1	Block	
27	353431X1	1	Nut Unf	
	353434X1	1	Lock Washer	
28	353517X1	2	Screw Unf	
	353446X1	2	Lock Washer	
	353916X1	2	Nut Unf	
29	353519X1	2	Screw Unf	
	353446X1	2	Lock Washer	
	353916X1	2	Nut Unf	
30	789854M94	1	Shield	
31	658086M1	1	Catch	(A)
32	783762M1	1	Bearing	(A)
34	1615413M92	1	Clutch	(B)
		1	Clutch	(C-D)
				INCL. REF. 6-11, 15, 16, 30-32, 35-39, 44, 72-75
35	353246X1	1	Bearing	
36	788427M2	1	Pulley	
37	832773M3	1	Bearing	
38	22289X	1	Circlip	
39	788437M1	2	Dowel	
43	376707X1	1	Washer	
44	363654X1	1	Nut	(B)
	363631X1	2	Nut	(B)
	353436X1	1	Nut Unf	(C)
	353435X1	1	Nut Unf	(C)
45	346161X1	1	Hair Pin	
46	619483M91	1	Shaft	
47	911004M1	1	Treadle	
48	226886M1	1	Pad	
49	214446M1	1	Spring	
50	238776M91	1	Stem	
51	762705M1	1	Buckle	
52	619484M91	1	Clevis	
60	354048X1	1	Pin	
61	13811X	2	Grease Nipple	
64	353520X1	2	Bolt Unf	

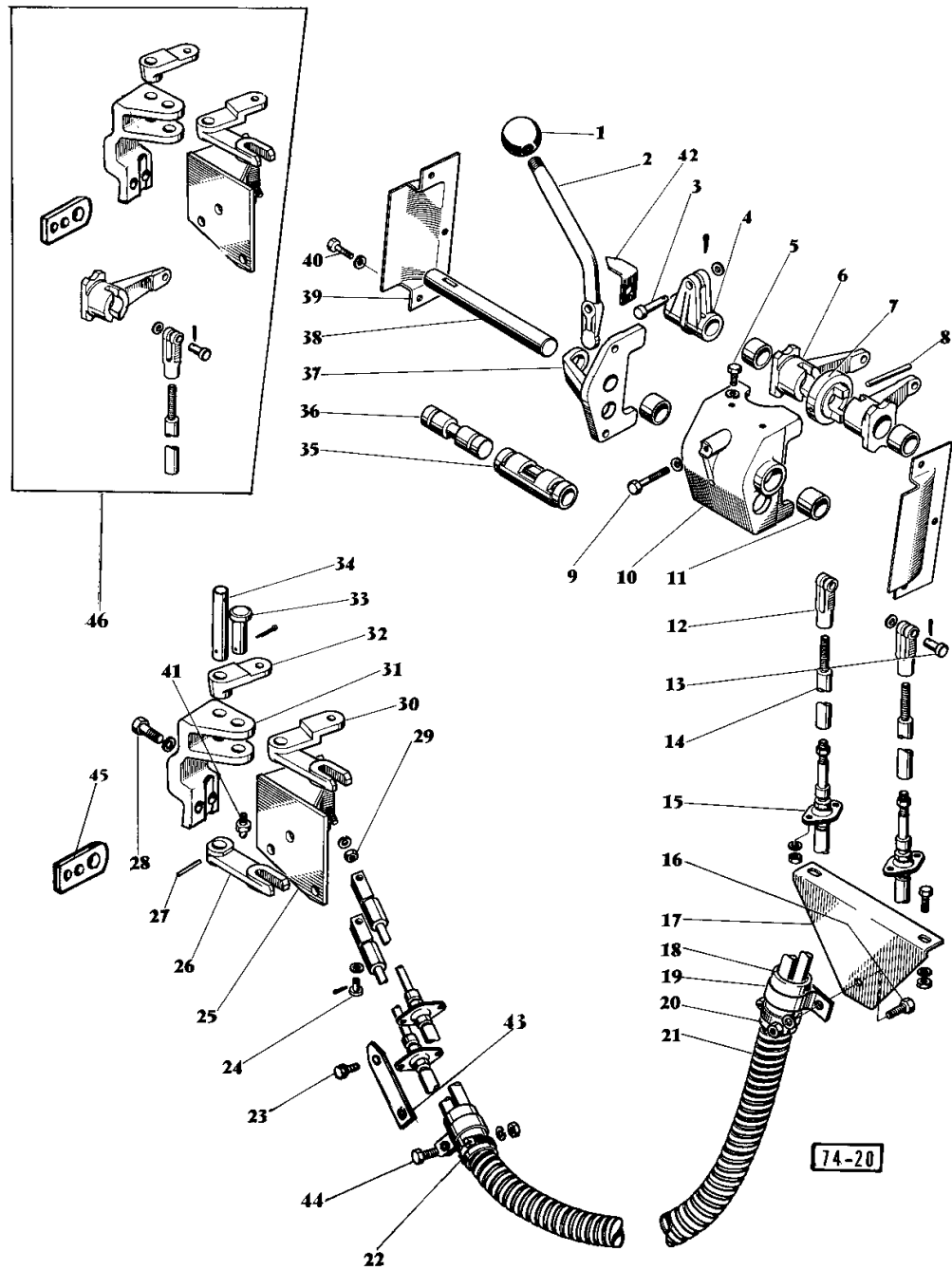
TRACTION CLUTCH

Item	Part Number	Qty	Description	Comments
	353446X1	2	Lock Washer	
	353916X1	2	Nut Unf	
69	353757X1	1	Washer	
70	364616X1	1	Nut	
71	353431X1	1	Nut Unf	
72	606994M92	1	Cover	
73	606995M1	1	Gasket	
74	617532M1	1	Cover	
75	788428M91	1	Clutch	
76	1855257M1	1	Cover	
77	1886914M1	1	Cover	
78	1886919M1	1	Plate	
79	1886915M1	12	Spring	
80	17760A	4	Lever	
81	825644M1	4	Strut	
82	1886920M91	4	Eye Bolt	
83	825645M1	4	Pin	
84	1886918M1	4	Spring	
85	1855258M1	1	Plate	
86	606993M1	1	Seal	

(A)
MOUNTING 12,30,31 IN ALTERNATIVE WITH MOUNTING 30, 12,32
(B)
Up to Serial or Engine Number 1978
(C)
From Serial or Engine Number 1979
(D)
Not serviced, order DETAILS

REF	N° PIECE	Qté
-----	----------	-----

COMMANDE DES VITESSES }
 GETRIEBESCHALTUNG } N° 14 414
 MANDO DE VELOCIDADES }
 GEAR SHIFT }



GEAR SHIFT

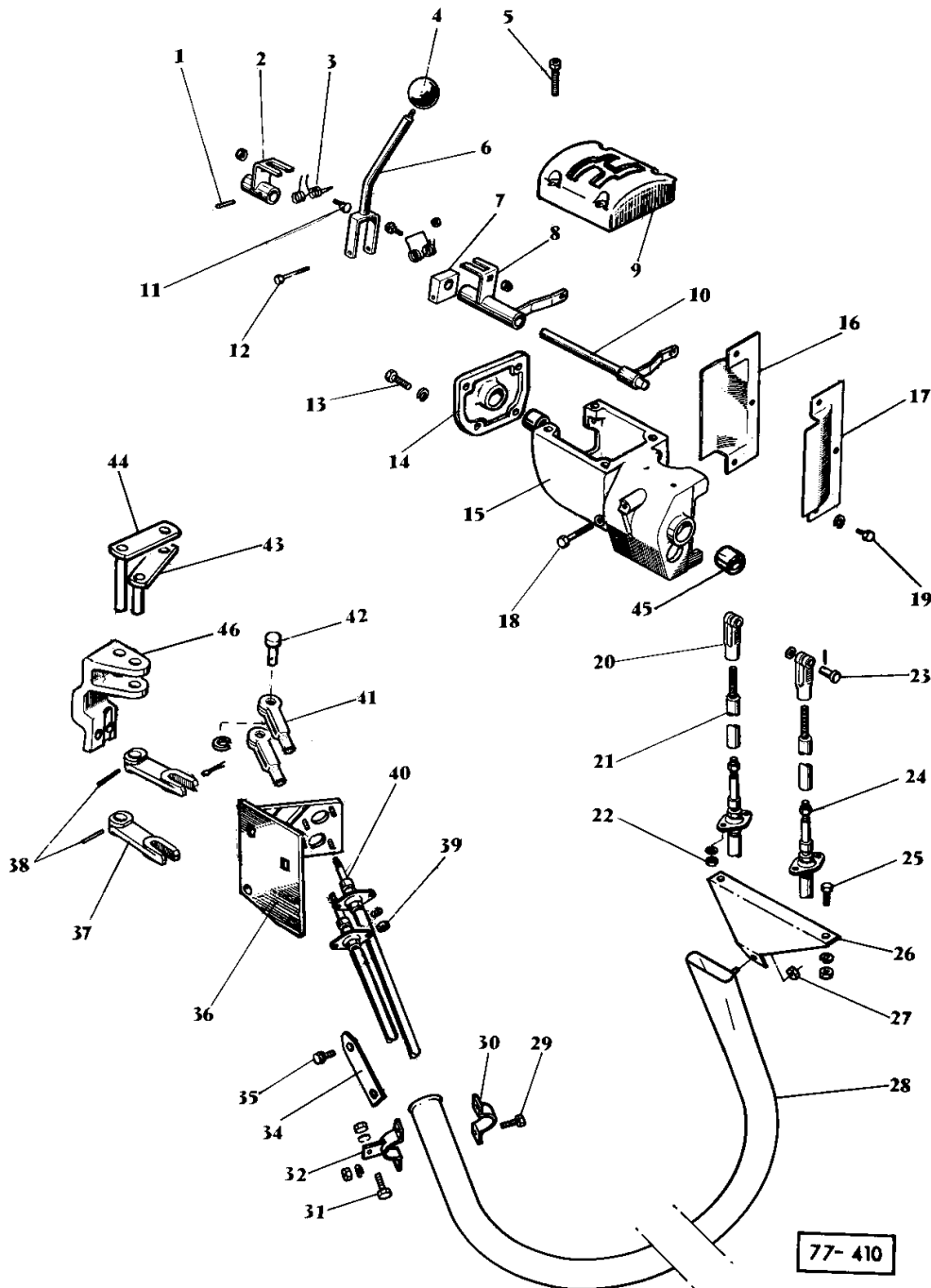
Item	Part Number	Qty	Description	Comments
				Up to Serial or Engine Number 14414
1	205612M1	1	Knob	
2	619245M2	1	Lever	
3	375196X1	1	Clevis Pin	
	353770X1	1	Washer	
	354046X1	1	Pin	
4	619244M2	1	Shifter	
5	353678X1	6	Screw Unc	
	353446X1	6	Lock Washer	
6	1615136M2	2	Lever	
7	619248M4	1	Selector	
8	338574X1	1	Pin	
9	353897X1	1	Bolt Unc	
	22764X	1	Lock Washer	
10	784939M1	1	Housing	
11	619251M1	4	Bush	
12	377316X1	2	Yoke	
13	377106X1	2	Pin	
	354046X1	2	Pin	
	353769X1	2	Washer	
14	1855516M2	2	Rod	
15	619247M1	2	Cable	(A)
	1615844M1	2	Cable	(A)
	1615826M1	2	Bail	(A)
	353918X1	2	Nut Unf	(A)
16	353517X1	1	Screw Unf	
	353755X1	1	Washer	
	353446X1	1	Lock Washer	
	353916X1	1	Nut Unf	
17	619323M1	1	Bearer	
18	619324M1	2	Stub	
19	338579X1	2	Clamp	
20	619294M1	2	Stub	
21	619325M2	1	Hydr Hose	
	619399M92	1	Sheath	INCL. REF. 18 TO 23
22	832713M1	2	Clamp	
23	353521X1	1	Bolt Unf	
	353755X1	1	Washer	
	353446X1	1	Lock Washer	
	353916X1	1	Nut Unf	
	361291X1	2	Pin	(A)
24	353769X1	2	Washer	(A)
	354039X1	2	Cotter	(A)
	375198X1	2	Pin	(A)
	353754X1	2	Washer	(A)
	354039X1	2	Cotter	(A)
25	1855638M91	1	Bracket	
26	619256M2	1	Lever	
27	353485X1	2	Pin	
28	353702X1	2	Bolt Unc	
	353432X1	2	Lock Washer	
29	353441X1	8	Lock Washer	
	353918X1	8	Nut Unf	
30	1855670M3	1	Lever	
31	230762M3	1	Bracket	
32	1855671M3	1	Lever	
33	195398M1	1	Clevis Pin	
	354066X1	1	Pin	
34	619241M2	1	Shaft	
35	619238M1	1	Tube	
36	617997M1	1	Clevis Pin	
37	782756M4	1	Cover	
38	619236M2	1	Shaft	
39	619246M1	2	Cover	
40	353500X1	6	Screw Unf	
	353441X1	6	Lock Washer	
41	364461X1	1	Nipple	
42	606977M1	1	Indicator	
44	353518X1	1	Screw Unf	
	353755X1	1	Washer	

GEAR SHIFT

Item	Part Number	Qty	Description	Comments
	353446X1	1	Lock Washer	
	353916X1	1	Nut Unf	
45	788436M1	1	Plate	
	MP1056	1	Grease Nipple	
46	1615194M91	1	Kit	(A) Alternative

151-A

COMMANDE DES VITESSES
 GETRIEBESCHALTUNG
 MANDO DE VELOCIDADES
 GEAR SHIFT } N° 14 415 →



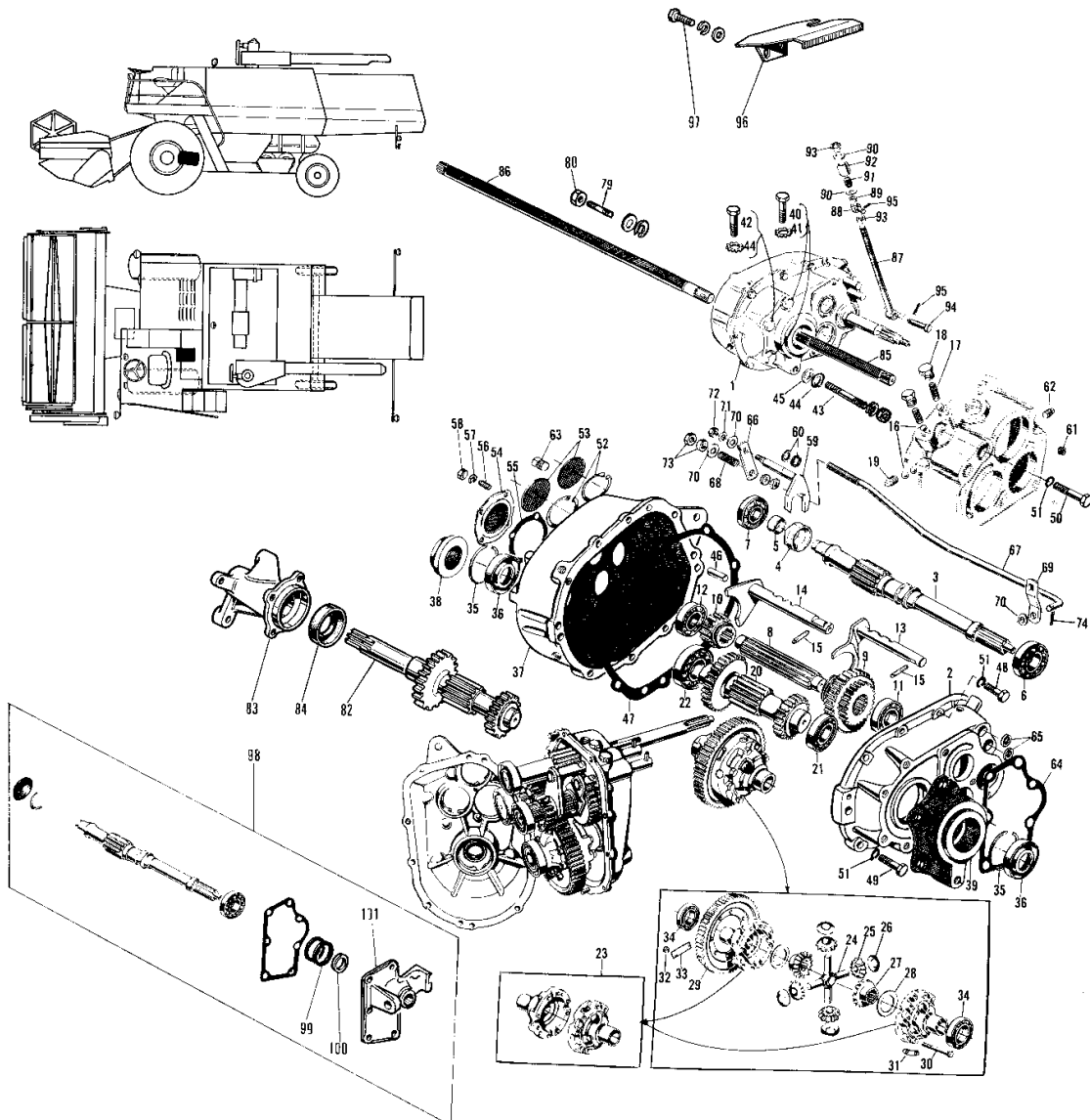
GEAR SHIFT

Item	Part Number	Qty	Description	Comments
				From Serial or Engine Number 14415
1	353478X1	1	Groove Pin	
2	1615269M92	1	Lever	
3	1615271M1	2	Spring	
4	205612M1	1	Knob	
5	357836X1	4	Screw Unc	
6	1615709M92	1	Lever	
7	1615265M1	1	Spacer	
8	1615261M91	1	Lever	
9	1615256M1	1	Grille	
10	1615258M91	1	Shaft	
11	353784X1	2	Bolt Unf	
	338284X1	2	Nut	
12	353533X1	1	Bolt Unf	
	195663M1	1	Nut	(A)
	1850996M1	1	Nut	(A)
13	353678X1	4	Screw Unc	
	353446X1	4	Lock Washer	
14	1615257M1	1	Cover	
15	1615255M1	1	Box	
16	1615342M1	1	Cover	
17	619246M1	1	Cover	
18	353897X1	1	Bolt Unc	
	22764X1	1	Washer	
19	353500X1	6	Screw Unf	
	353441X1	6	Lock Washer	
20	377316X1	2	Yoke	
21	1615284M1	2	Rod	
22	353918X1	4	Nut Unf	
	353441X1	4	Lock Washer	
23	377106X1	2	Pin	
	354046X1	2	Pin	
24	353919X1	2	Nut Unf	
25	353501X1	2	Screw Unf	
	353441X1	2	Lock Washer	
	353918X1	2	Nut Unf	
26	782792M1	1	Bracket	
27	353918X1	1	Nut Unf	
	353441X1	1	Lock Washer	
28	782766M92	1	Tube	
29	353519X1	2	Screw Unf	
	353446X1	2	Lock Washer	
	353916X1	2	Nut Unf	
30	784178M1	1	Clamp	
31	353518X1	1	Screw Unf	
	353446X1	1	Lock Washer	
	353916X1	1	Nut Unf	
32	784177M91	1	Clamp	
34	1615140M1	1	Strap	
35	353521X1	1	Bolt Unf	
	353446X1	1	Lock Washer	
	353755X1	1	Washer	
	353916X1	1	Nut Unf	
36	1615273M91	1	Bracket	
37	1615312M1	2	Lever	
38	338840X1	2	Pin	
39	353918X1	4	Nut Unf	
	353441X1	4	Lock Washer	
40	1615283M1	2	Cable	(A)
	1615341M1	2	Cable	(A)
41	195551M1	2	Clevis	
42	361291X1	2	Pin	
	353769X1	2	Washer	
	354039X1	2	Cotter	
43	1615281M91	1	Lever	
44	1615278M91	1	Lever	
45	619251M1	2	Bush	
46	230762M3	1	Bracket	
47	1615355M92	1	Drive	INCL. REF. 16,20 TO 36 36 TO 44

GEAR SHIFT

Item	Part Number	Qty	Description	Comments
				(A) Alternative

BOITE DE VITESSES ET DIFFERENTIEL
 GETRIEBEGEHAUSE UND DIFFERENTIAL
 CAJA DE CAMBIO DE VELOCIDADES Y DIFFERENCIAL } 1978
 GEAR BOX AND DIFFERENTIAL



78-709

GEAR BOX

Item	Part Number	Qty	Description	Comments
				Up to Serial or Engine Number 1978
1	1615409M92	1	Gearbox	INCL. REF. 2 TO 81 (A)
	1615410M92	1	Gearbox	INCL. REF. 2 TO 81 (B)
	1615411M92	1	Gearbox	INCL. REF. 2 TO 65 (A)
	1615412M92	1	Gearbox	INCL. REF. 2 TO 65 (B)
2	911910M1	1	Housing	
3	1615414M1	1	Shaft	
4	243022M92	1	Collar	INCL. REF. 5
5	833569M1	1	Bearing	
6	658137M1	1	Cone	
	658138M1	1	Cup	
	658140M1	1	Cup	
8	1616150M1	1	Shaft	
9	230202M1	1	Gear	Number of teeth/spines 22-24
10	1616151M1	1	Pinion	Number of teeth/spines 17
11	18563X	1	Bearing	
12	832334M1	1	Bearing	
13	226680M91	1	Shifter	
14	226678M91	1	Shifter	
15	357665X1	2	Pin	
16	2016X	4	Ball	
17	218553M1	2	Spring	
18	223607M2	2	Plug	
	49185X	1	Wire	
19	22769X	1	Plug	
20	230201M1	1	Shaft	(A)
21	AC1163	1	Bearing Ball	
22	832333M1	1	Bearing	
23	237202M91	1	Case	
24	223600M3	1	Crosspiece	
25	223542M1	4	Pinion	Number of teeth/spines 11
26	237201M1	4	Cam	
27	223540M1	2	Gear	Number of teeth/spines 16
28	237200M1	2	Washer	
29	230204M1	1	Ring	
30	831719M1	8	Bolt	
31	243288M1	4	Plate	
32	353426X1	8	Nut Unf	
33	223602M2	4	Plate	
34	GL3429	2	Bearing	
35	353165X1	2	Circlip	
36	831726M1	2	Seal	
37	911909M1	1	Housing	
38	223603M1	1	Trunnion	
39	230200M1	1	Trunnion	
40	223544M1	2	Bolt	
41	359523X1	2	Washer	
42	354282X1	1	Screw Unc	
43	377390X1	1	Stud	
	831985X1	1	Washer	
	353427X1	1	Nut Unf	
44	359411X1	1	Lock Washer	
45	359405X1	1	Washer	
46	831727M1	2	Pin	
47	228184M1	1	Gasket	
48	353700X1	8	Screw Unc	
49	353702X1	1	Bolt Unc	
50	353706X1	1	Bolt Unc	
51	353432X1	8	Lock Washer	
	338659X1	2	Washer	
52	355988X1	2	Snapping	
53	359554X1	2	Plug	
54	233638M1	1	Cover	(A)
55	223605M1	1	Gasket	
56	353962X1	4	Stud	(A)
	353963X1	4	Stud	(B)

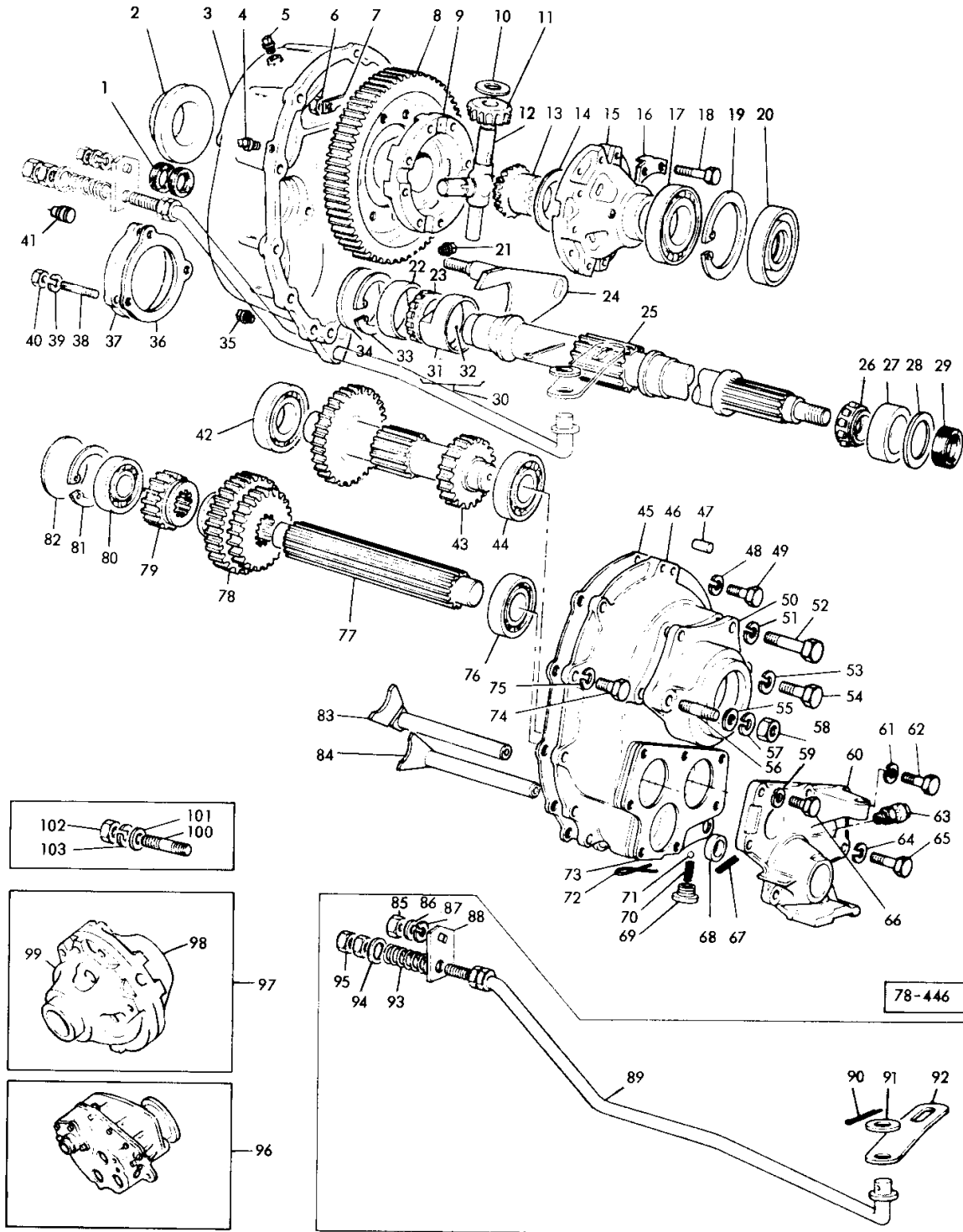
GEAR BOX

Item	Part Number	Qty	Description	Comments
57	353432X1	4	Lock Washer	
58	353426X1	4	Nut Unf	
59	243024M92	1	Fork	
60	1009553M1	2	Seal	
61	356040X1	2	Plug	
62	22769X	2	Plug	
62	894014M2	1	Plug	
	180474M1	1	Gasket	
63	363819X1	1	Plug	(D)
	22766X	1	Plug	(D)
64	233545M1	1	Gasket	
65	831144M1	4	Seal	
66	243027M1	1	Arm	
67	913460M91	1	Stem	
68	911850M1	1	Spring	
69	243030M1	1	Arm	
70	353756X1	3	Washer	
71	353434X1	1	Lock Washer	
72	353431X1	1	Nut Unf	
73	353430X1	1	Nut Unf	
74	354048X1	1	Pin	
79	377389X1	2	Stud	
80	359405X1	2	Washer	
	831985X1	2	Washer	
	353427X1	2	Nut Unf	
82	619698M1	1	Restrictor	(B)
83	619431M1	1	Bearer	(B)
84	330790X1	1	Bush	(B)
85	788192M1	1	Shaft	(A)
	619419M1	1	Shaft	(B)
86	788191M1	1	Shaft	(A)
	619420M1	1	Shaft	(B)
87	912720M92	1	Stem	
88	240811M1	1	Trunnion	
89	361394X1	1	Spacer	
90	362017X1	2	Washer	
91	234234M1	1	Spring	
92	338830X1	1	Spacer	
93	375113X1	2	Nut Unc	
	375100X1	2	Nut Unc	
94	195351M1	1	Pin	
95	354076X1	2	Pin	
96	913664M3	1	Guard	(C)
	913693M93	1	Shield	INCL. REF. 96,97 (C)
97	353697X1	2	Screw Unc	(C)
	353757X1	2	Washer	(C)
	353432X1	2	Lock Washer	(C)
98	1615775M91	1	Parts Pack	
99				See Page - Reference Number 147, 3
100				See Page - Reference Number 147, 2
101				See Page - Reference Number 147, 1 (A) EXCEPT GERMANY (B) FOR GERMANY (C) FOR MAIZE (D) ALTERNATIVE

155A

BOITE DE VITESSE
 GETRIEBE
 CAMBIO DE VELOCIDADES
 TRACTION GEAR BOX

1979 →



TRACTION GEAR BOX

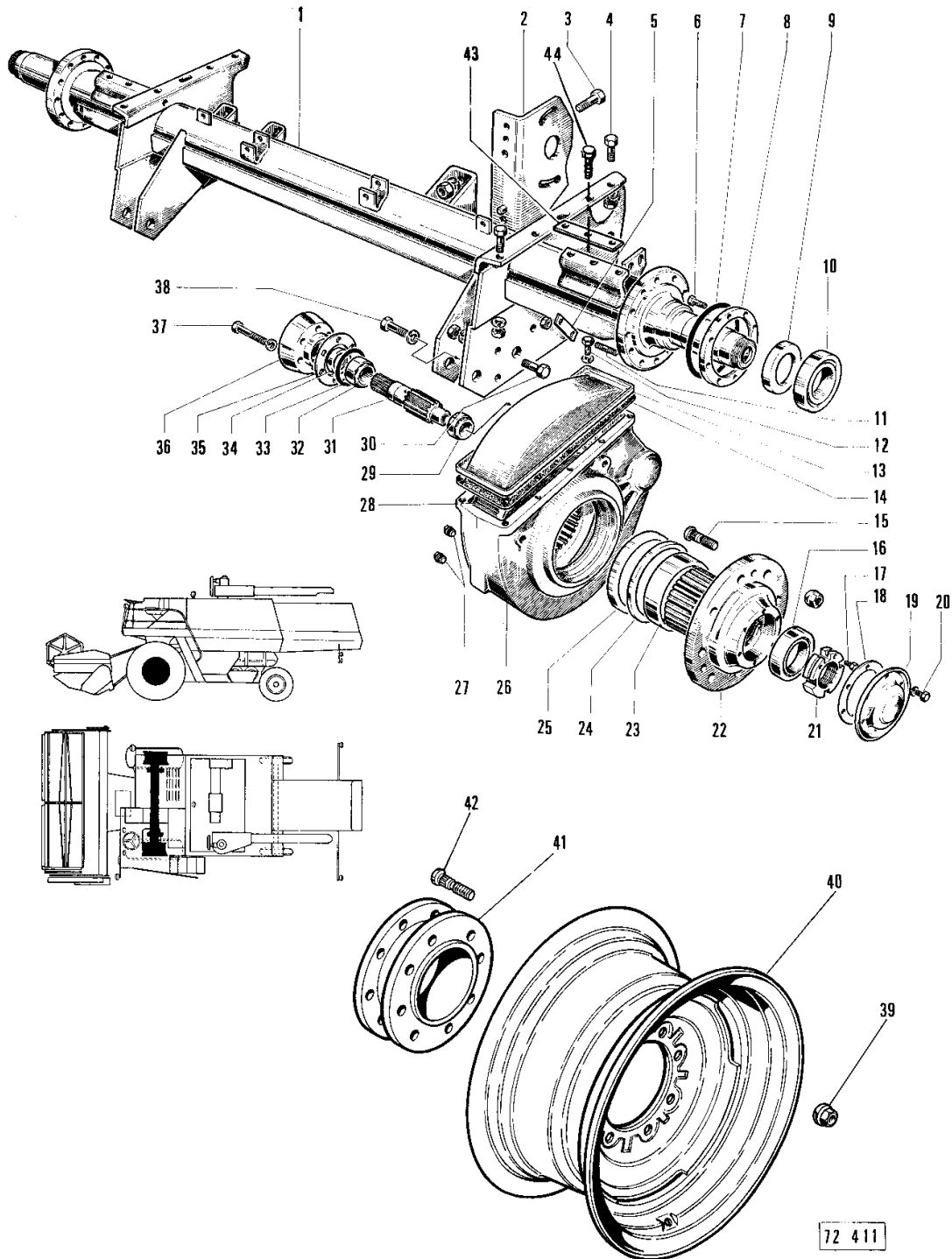
Item	Part Number	Qty	Description	Comments
				From Serial or Engine Number 1979
1	1009553M1	2	Seal	
2	223603M1	1	Trunnion	
3	243019M1	1	Housing	Right Hand
4	22769X1	1	Plug	
5	356040X1	2	Plug	
6	353426X1	8	Nut Unf	
7	223602M2	4	Plate	
8	230204M1	1	Ring	
9		1		Not serviced, order 97
10	237201M1	4	Cam	
11	223542M1	4	Pinion	
12	223606M3	1	Differential	
13	223540M1	4	Gear	
14	237200M1	2	Washer	
15		2		Not serviced, order 97
16	243288M1	4	Plate	
17	613429M1	2	Plug	
18	831719M1	8	Bolt	
19	353165X1	2	Circlip	
20	831726M1	2	Seal	
21	22769X1	1	Plug	
22	658140M1	1	Cup	
23	658139M1	1	Cone	
24	243024M92	1	Fork	
25	1615414M1	1	Shaft	
26	658137M1	1	Cone	
27	658138M1	1	Cup	
28	362026X1	X	Shim	
	362027X1	X	Shim	
	362028X1	X	Shim	
	338832X1	X	Shim	
29	658142M1	1	Seal	
30	243022M92	1	Collar	
31		1		Not serviced, order 30
32	833569M1	1	Bearing	
33	355988X1	1	Snapring	
34	359554X1	1	Plug	
35	22769X1	1	Plug	
36	223605M1	1	Gasket	
37	233638M1	1	Cover	(C)
38	353962X1	4	Stud	
	353964X1	4	Stud	(B)
39	353432X1	4	Lock Washer	
40	353426X1	4	Nut Unf	
41	363819X1	1	Plug	(A)
	22766X1	1	Plug	(A)
42	832333M1	1	Bearing	
43	230201M1	1	Shaft	
	233660M1	1	Shaft	(B)
44	AC1163	1	Bearing Ball	
45	228184M1	1	Gasket	
46	233546M4	1	Housing	Left Hand
47	831727M1	2	Pin	
48	353432X1	1	Lock Washer	
49	353702X1	1	Bolt Unc	
50	230200M1	1	Trunnion	
51	359411X1	1	Lock Washer	
52	354282X1	1	Screw Unc	
53	359523X1	2	Washer	
54	223544M1	2	Bolt	
55	831985M1	1	Washer	
56	377390X1	1	Stud	
57	359405X1	1	Washer	
58	353427X1	1	Nut Unf	
59	353432X1	2	Lock Washer	
60	1615415M91	1	Cover	
61	353432X1	5	Lock Washer	
62	353701X1	2	Screw Unc	
63	190729M1	1	Breather	

TRACTION GEAR BOX

Item	Part Number	Qty	Description	Comments
64	353432X1	1	Lock Washer	
65	353706X1	1	Bolt Unc	
66	353699X1	5	Screw Unc	
67	357665X1	2	Pin	
68	831144M1	4	Seal	
69	223607M1	1	Plug	
70	218533M1	2	Spring	
71	2016X	4	Ball	
72	49185X1	1	Wire	
73	233545M1	1	Gasket	
74	353700X1	8	Screw Unc	
75	353432X1	8	Lock Washer	
76	18563X	1	Bearing	
77	223536M2	1	Shaft	
78	230202M1	1	Gear	
79	230205M1	1	Pinion	
80	832334M1	1	Bearing	
81	355988X1	1	Snapping	
82	359554X1	1	Plug	
83	226678M1	1	Shifter	
84	226678M1	1	Shifter	
85	353431X1	1	Nut Unf	
86	353756X1	1	Washer	
87	353434X1	1	Lock Washer	
88	243027M1	1	Arm	
89	243028M92	1	Rod	
90	354048X1	1	Pin	
91	353756X1	2	Washer	
92	243030M1	1	Arm	
93	850414M1	1	Spring	
94	353756X1	2	Washer	
95	353430X1	4	Nut Unf	
96	1615765M91	1	Gearbox	
	1615766M91	1	Gearbox	(B)
	237202M91	1	Case	
98		1		Not serviced, order 97
99		1		Not serviced, order 97
100	377389X1	2	Stud	
101	831935M1	2	Grommet	
102	353427X1	2	Nut Unf	
103	359405X1	2	Washer	

(A)
ALTERNATIVE
(B)
GERMANY
(C)
EXCEPTED SPAIN

ESSIEU ET ROUES AVANT - REDUCTION FINALE }
 VORDERACHSE UND VORDERRAEUER - ENDANTRIEB } → 1978
 CAJA DEL EJE Y RUEDAS DELANTERAS - MANDO FINAL }
 AXLE FRAME AND FRONT WHEELS - FINAL DRIVES }



AXLE FRAME AND FRONT WHEELS

Item	Part Number	Qty	Description	Comments
				Up to Serial or Engine Number 1978
	619421M2	1	Frame	INCL. REF. 1 TO 38
	619425M97	1	Frame	(A)
	619424M96	1	Frame	(B)
1	1806149M2	1	Frame	
2	1806151M92	1	Support	
3	1805789M1	2	Screw	
	1441664X1	2	Washer Metric	
	339377X1	2	Lock Washer	
	339623X1	2	Nut Metric	
4	353595X1	8	Screw Unf	
	353595X1	6	Screw Unf	(A)
	353597X1	2	Bolt Unf	(A)
	338686X1	8	Washer	
	353437X1	8	Nut Unf	
5	1805653M1	12	Brake	
6	390871X1	16	Screw Metric	
7	1807671M1	2	Gasket	
8	1805651M1	2	Washer	
9	1805650M1	2	Catch	
10	338567X1	2	Bearing Assy	
11	1805652M1	24	Stud	
	339079X1	24	Nut	
12	339124X1	20	Screw Metric	
	339374X1	20	Lock Washer	
13	1805636M1	2	Cover	
14	1805637M1	2	Gasket	
15	1805640M1	16	Stud	
	1805641M1	16	Nut	
16	338568X1	2	Bearing Assy	
17	1805646M1	4	Screw	
	1805647M1	2	Wire	
18	1805649M1	2	Gasket	
19	1805648M1	2	Cover	
20	339081X1	12	Screw Metric	
	339376X1	12	Lock Washer	
21	1805645M1	2	Nut	
22	1805638M91	2	Hub	INCL. REF. 22,23
	1805639M1	2	Hub	
23	1805656M1	2	Cone	
24	1805644M1	2	Gasket	
25	1805643M1	2	Gasket	
26	1805634M1	1	Housing	Right Hand
	1805635M1	1	Housing	Left Hand
27	22766X	4	Plug	
28	1805642M1	2	Annular Gear	
29	338570X91	2	Bearing Assy	INCL. REF. 29
	338571X1	2	Cone	
	338572X1	2	Race	
30	353561X1	8	Screw Unf	
	338687X1	8	Washer	
	353426X1	8	Nut Unf	
31	1805654M1	2	Pinion	
32	338573X91	2	Bearing	INCL. REF. 32
	831728M1	2	Cone	
	831729M1	2	Cap	
33	359139X1	2	Ring	
34	831921M1	2	Bolt	
35	223625M1	X	Shim	(0,25 MM)
	223626M1	X	Shim	(0,05 MM)
	228383M1	X	Shim	(0,76 MM)
36	1805655M1	2	Spacer	
37	338625X1	12	Screw	
	353432X1	12	Lock Washer	
38	353560X1	4	Screw Unf	
	338687X1	4	Washer	
39	1805641M1	8	Nut	
40	1615189M91	2	Rim	16 X 26
	606925M1	2	Wheel	26 X 30
	911911M1	2	Wheel	16 X 26

MASSEY FERGUSON
MF 520/525 COMBINES - 1646022

1646022

156

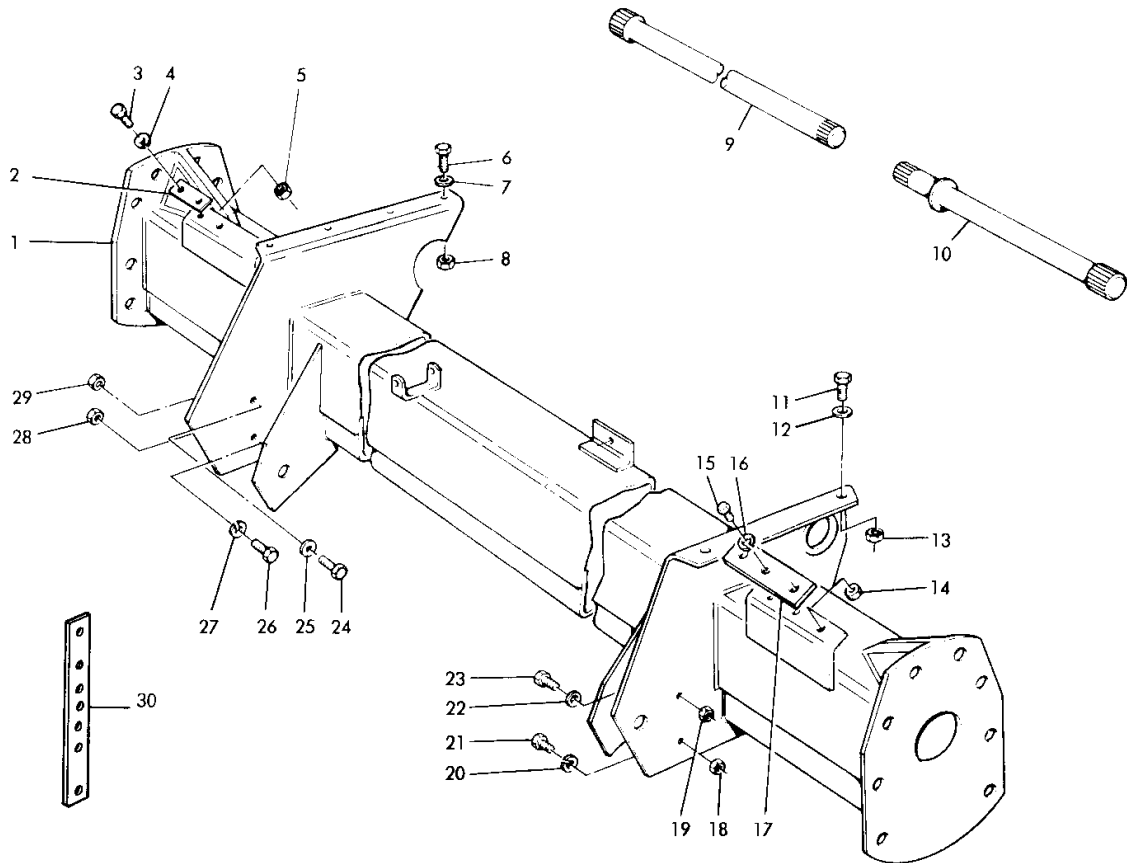
AXLE FRAME AND FRONT WHEELS

Item	Part Number	Qty	Description	Comments
	917406M91	1	Wheel	(B) Right Hand
	917407M91	1	Wheel	(B) Left Hand
41	1615137M1	1	Extension	
42	1807540M1	8	Stud	
43	226929M1	2	Shim	(1/64"MM)
	226930M1	2	Shim	(1/32"MM)
	226931M1	2	Shim	(1/16"MM)
44	353564X1	6	Bolt Unf	
	353432X1	6	Lock Washer	
	353426X1	6	Nut Unf	(A) GERMANY (B) SPAIN

159A

ESSIEU
 VORDERACHSE
 CAJA DEL EJE
 AXLE FRAME

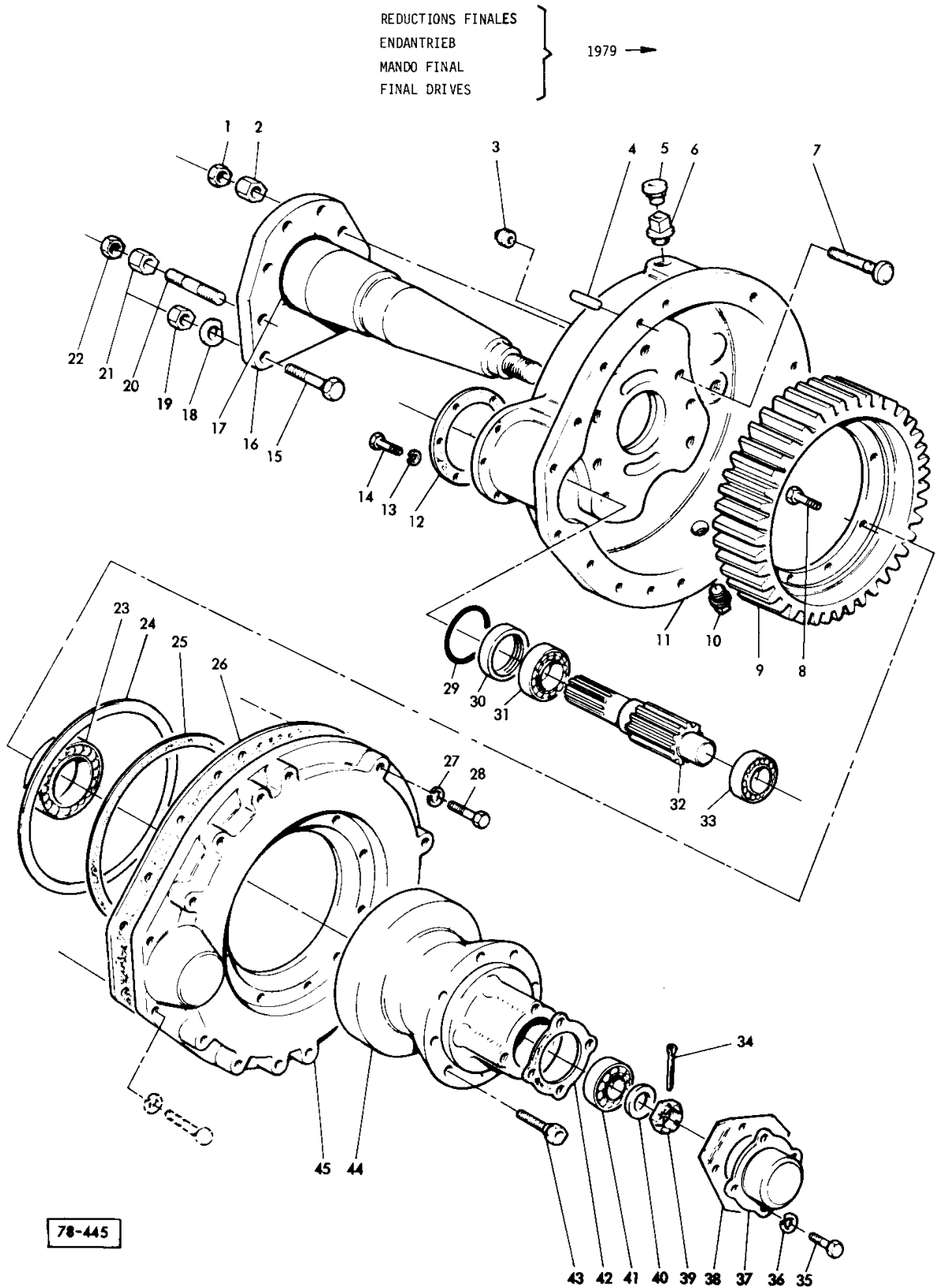
} 1979 →



78-444

AXLE FRAME

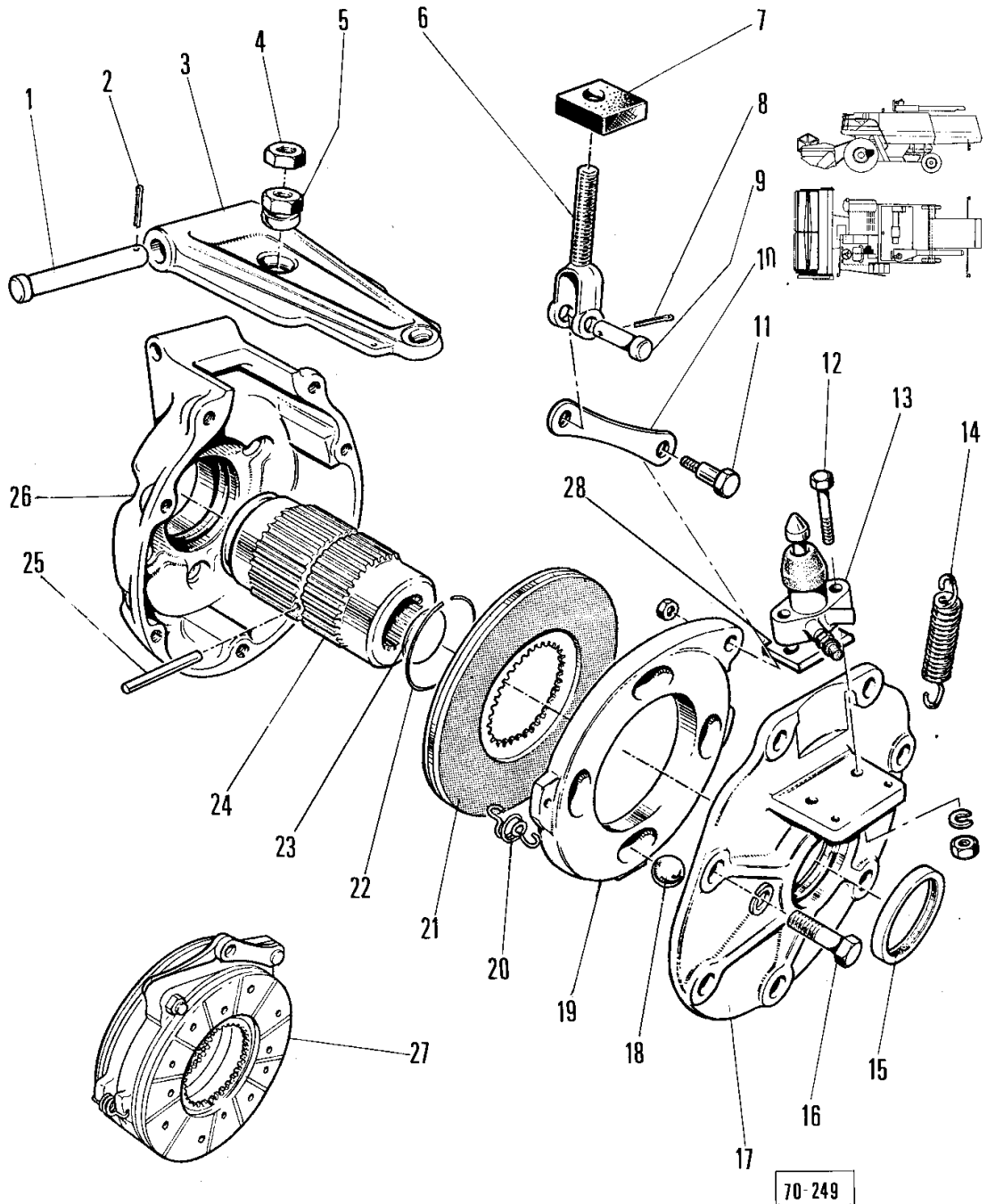
Item	Part Number	Qty	Description	Comments
				From Serial or Engine Number 1979
1	788358M92	1	Axle	
2	788702M1	X	Shim	
	788703M1	X	Shim	
	788704M1	X	Shim	
3	353701X1	2	Screw Unc	
4	353432X1	2	Lock Washer	
5	353426X1	2	Nut Unf	
6	353597X1	4	Bolt Unf	
7	338686X1	4	Washer	
8	353437X1	4	Nut Unf	
9	788191M1	1	Shaft	
10	788192M1	1	Shaft	
11	353597X1	4	Bolt Unf	
12	338686X1	4	Washer	
13	353437X1	4	Nut Unf	
14	353426X1	3	Nut Unf	
15	353563X1	3	Bolt Unf	
16	353432X1	3	Lock Washer	
17	226929M1	X	Shim	
	226930M1	X	Shim	
	226931M1	X	Shim	
18	376449X1	4	Nut Unf	
19	353426X1	4	Nut Unf	
20	338686X1	4	Washer	
21	353601X1	4	Bolt Unf	
22	338687X1	4	Washer	
23	376317X1	4	Screw	
24	376317X1	4	Screw	
25	338687X1	4	Washer	
26	353601X1	4	Bolt Unf	
27	338686X1	4	Washer	
28	376449X1	4	Nut Unf	
29	353426X1	4	Nut Unf	
30	1855899M2	2	Strap	



FINAL DRIVE

Item	Part Number	Qty	Description	Comments
				From Serial or Engine Number 1979
1	353436X1	8	Nut Unf	
2	353435X1	8	Nut Unf	
3	22766X	2	Plug	
4	831731M1	4	Pin	
5	190729M91	2	Breather	
6	222622M1	2	Plug	
7	832691M2	8	Bolt	
8	338869X1	16	Bolt	
9	783613M2	2	Gear	
10	22766X	2	Plug	
11	226675M2	1	Housing	Right Hand
	226677M2	1	Housing	Left Hand
12	223625M1	4	Shim	
	223626M1	8	Shim	
	228383M1	2	Shim	
13	353432X1	12	Lock Washer	
14	364523X1	12	Bolt	
15	832691M2	6	Bolt	
16	226676M2	2	Axle	
17	359235X1	2	Ring	
18	239833M1	6	Washer	
19	363932X1	6	Nut Unf	
20	234463M1	2	Stud	
21	353435X1	2	Nut Unf	
22	353436X1	2	Nut Unf	
23	14308X	2	Race	
	831733M1	2	Cone	
24	232944M2	2	Seal	
25	223629M1	2	Packing	
26	233076M1	2	Gasket	
27	353432X1	24	Lock Washer	
28	353704X1	20	Bolt Unc	
	353700X1	4	Screw Unc	
29	359139X1	2	Ring	
30	831926M1	2	Seal	
31	831729M1	2	Cap	
	831728M1	2	Cone	
32	783614M1	2	Pinion	
33	831077M1	2	Cup	
	831078M1	2	Cone	
34	354092X1	2	Pin	
35	353698X1	8	Screw Unc	
36	353432X1	8	Lock Washer	
37	223632M2	2	Cover	
38	792402M2	2	Plate	
39	357533X1	2	Nut Unf	
40	486297M2	2	Washer	
41	831253M1	2	Race	
	831254M1	2	Cone	
42	223631M3	4	Gasket	
43	783697M1	8	Bolt	Right Hand
	783696M1	8	Bolt	Left Hand
44	783694M1	1	Hub	Right Hand
	783693M1	1	Hub	Left Hand
45	233078M1	2	Cover	

FREINS
EINZELRADBREMSE
FRENOS
BRAKES

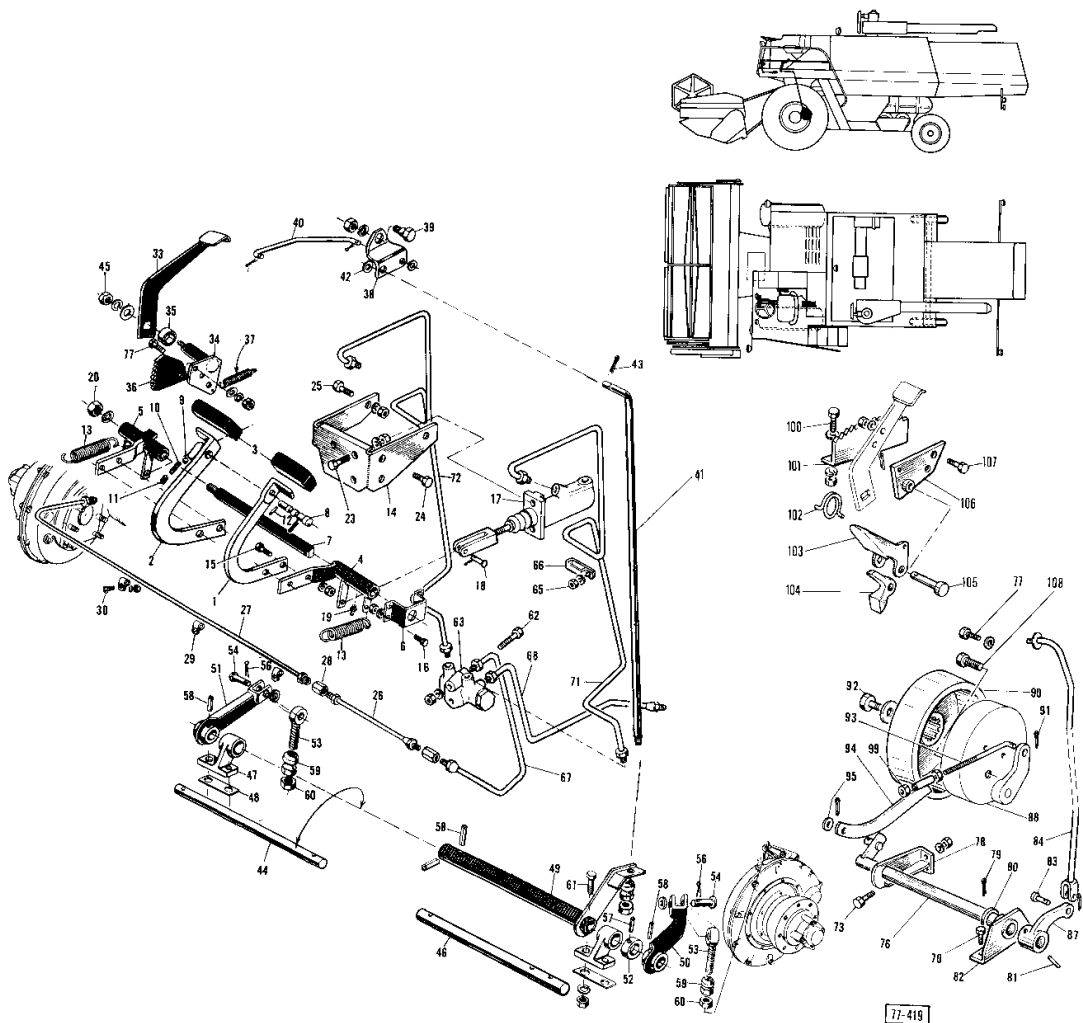


70-249

BRAKES

Item	Part Number	Qty	Description	Comments
	619423M91	2	Brake	INCL. REF. 1 TO 27
	619971M91	2	Brake	INCL. REF. 1 TO 27 (A)
1	831843M1	2	Pin	
2	354048X1	2	Pin	
3	785628M1	2	Lever	
4	353426X1	2	Nut Unf	
5	338817X1	2	Nut	
6	832447M1	2	Yoke	(B)
	785633M91	2	Yoke	(B)
7	228236M2	2	Seal	
8	354048X1	2	Pin	
9	354190X1	2	Pin	
10	1885494M1	2	Link	
	1807009M1	2	Link	(A)
11	1885493M1	2	Screw	
	1807008M1	2	Bolt	(A)
	1851993M1	2	Nut	
	1806999M1	2	Adjusting Nut	(A)
12	353511X1	4	Bolt Unf	
	353441X1	4	Lock Washer	
	353918X1	4	Nut Unf	
13	785625M92	2	Cylinder	(C)
14	243133M1	4	Spring	
15	832898M1	2	Seal	
16	353700X1	14	Screw Unc	
	353432X1	14	Lock Washer	
17	785627M1	2	Cover	
18	16779X	4	Ball	
19	1885491M1	2	Disc	
	1807005M91	1	Disc	(A) INCL. REF. 10,11,18 TO 20
	1807006M1	2	Disc	(A)
20	784509M1	2	Spring	
	1807007M1	2	Spring	(A)
12	1885495M91	2	Disc	
22	831852M1	2	Ring	
23	239460M1	2	Disc	
24	237094M1	2	Coupling	
25	10460X	2	Pin	
26	785626M2	2	Housing	
27	785623M92	2	Brake	INCL. REF. 10,11,18 TO 21
	913886M91	2	Brake	INCL. REF. 10,11,18 TO 21 (A)
28	619972M1	2	Spacer	(A) (A) GERMANY (B) Alternative (C) See Page - Reference Number 172

COMMANDE DE FREINS
 BREMSEN
 MANDO DE FRENOS
 BRAKES CONTROL



BRAKES CONTROL

Item	Part Number	Qty	Description	Comments
1	910948M1	1	Treadle	Left Hand (A, B)
2	910947M1	1	Treadle	Right Hand (A, B)
3	220670M1	2	Pad	(A, B)
4	912951M1	1	Lever	Left Hand (A, B)
5	912952M91	1	Arm	Right Hand (A, B)
6	226907M1	1	Support	(A, B)
7	226873M1	1	Shaft	(A, B)
8	226872M1	1	Pin Hitch	(A, B)
9	16772X	1	Ball	(A, B)
10	659702M1	1	Spring	(A, B)
11	359029X1	1	Screw Unc	(A, B)
12	343483X1	1	Pin	(A, B)
	354048X1	2	Pin	(A, B)
13	214446M1	2	Spring	(A, B)
14	609746M91	1	Bearer	(A, B)
15	353539X1	4	Screw Unf	(A, B)
	353434X1	4	Lock Washer	(A, B)
	353431X1	4	Nut Unf	(A, B)
16	353517X1	3	Screw Unf	(A, B)
	356446X1	3	Plug	(A, B)
	353916X1	3	Nut Unf	(A, B)
17	785624M91	2	Cylinder	(A, B, C)
18	195234M1	2	Clevis Pin	(A, B)
19	13811X	2	Grease Nipple	(A, B)
20	353427X1	1	Nut Unf	(A, B)
	353433X1	1	Lock Washer	(A, B)
23	353519X1	4	Screw Unf	(A, B)
	353446X1	4	Lock Washer	(A, B)
	353916X1	4	Nut Unf	(A, B)
24	353538X1	2	Screw Unf	(A, B)
	353434X1	2	Lock Washer	(A, B)
25	353536X1	2	Screw Unf	(A, B)
	353434X1	2	Lock Washer	(A, B)
	353431X1	2	Nut Unf	(A, B)
26	787759M91	1	Tube	(A, B)
27	786722M91	1	Tube	(A, B)
28	1850060M1	2	Union	(A, B)
29	786727M1	4	Clip	(A, B)
30	357433X1	4	Screw Unc	(A, B)
	353444X1	4	Lock Washer	(A, B)
	354119X1	4	Nut Unc	(A, B)
33	226892M91	1	Arm	(A, B)
34	238992M91	1	Shaft	(A, B)
35	360626X1	1	Spacer	(A, B)
36	228963M1	1	Ratchet	(A)
37	70592M1	1	Spring	(A, B)
38	913899M1	1	Bearer	(A, B)
39	226902M1	1	Bolt	(A, B)
	353433X1	1	Lock Washer	(A, B)
	353427X1	1	Nut Unf	(A, B)
40	226894M1	1	Link	(A, B)
41	609744M93	1	Rod	(A)
	617821M92	1	Stem	(B, E)
42	353757X1	2	Washer	(A, B)
43	354048X1	3	Pin	(A, B)
44	910408M1	1	Shaft	(A)
45	353426X1	1	Nut Unf	(A, B)
	353432X1	1	Lock Washer	(A, B)
	355620X1	1	Washer	(A, B)
46	910407M1	1	Shaft	(A)
47	911904M91	2	Bearer	(A)
48	904128M1	AR	Shim	0,20" (A)
	904129M1	AR	Shim	0,40" (A)
	904130M1	AR	Shim	0,60"

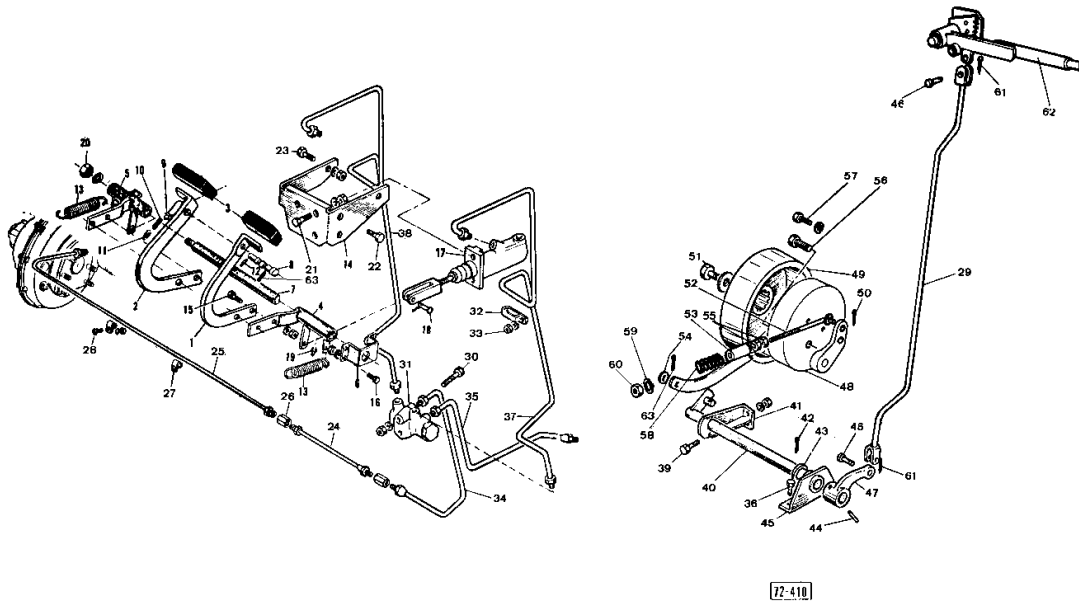
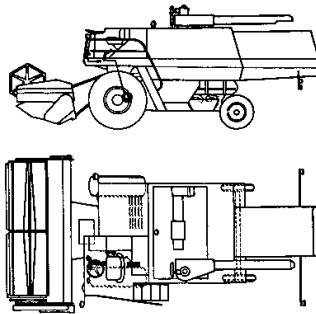
BRAKES CONTROL

Item	Part Number	Qty	Description	Comments
				(A)
49	619490M91	1	Tube	(A)
50	904082M91	1	Arm	Left Hand (A)
51	904076M91	1	Arm	Left Hand (A)
52	904081M1	1	Bush	(A)
53	904080M1	2	Shaft	(A)
54	831490M1	2	Clevis Pin	(A)
56	354057X1	2	Pin	(A)
	353619X1	2	Bolt Unf	(A)
57	355685X1	1	Pin	(A)
58	360009X1	6	Pin	(A)
59	338817X1	3	Nut	(A)
60	353426X1	3	Nut Unf	(A)
61	353564X1	6	Bolt Unf	(A)
	353432X1	6	Lock Washer	(A)
	353426X1	6	Nut Unf	(A)
62	353673X1	2	Bolt Unc	(A, B)
	353441X1	2	Lock Washer	(A, B)
	355564X1	2	Nut Unc	(A, B)
63	786145M91	1	Valve	(A, B, C)
65	357444X1	2	Screw	(A, B)
66	360081X1	2	Clamp	(A, B)
	353445X1	2	Lock Washer	(A, B)
67	619489M91	1	Tube	(A, B)
68	617949M92	1	Tube	(A, B)
70	353597X1	2	Bolt Unf	(B, E)
	353437X1	2	Nut Unf	(B, E)
	353439X1	2	Lock Washer	(B, E)
71	619486M91	1	Tube	(A, B)
72	619487M91	1	Tube	(A, B)
73	353519X1	2	Screw Unf	(B)
	353446X1	2	Lock Washer	(B)
	353755X1	2	Washer	(B)
	353916X1	2	Nut Unf	(B)
76	619442M91	1	Shaft	(B)
77	353519X1	1	Screw Unf	(A)
	353755X1	1	Washer	(A)
	353446X1	1	Lock Washer	(A)
	353916X1	1	Nut Unf	(A)
78	911906M91	1	Bearer	(B)
79	354081X1	1	Pin	(B)
80	832044M1	1	Washer	(B)
81	14375X	1	Pin	(B)
82	617515M91	1	Bracket	(B, E)
83	832146M1	1	Clevis Pin	(A, B, E)
	357146X1	1	Pin	(B, E)
84	910132M93	1	Rod	(B)
87	794979M1	1	Lever	(A, B)
88	619441M1	1	Brake	(A, B)
90	619443M1	1	Drum	(B)
91	354057X1	1	Pin	(B)
92	353593X1	1	Screw Unf	(B)
	619439M1	1	Washer	(B)
	353439X1	1	Lock Washer	(B)
93	619435M1	1	Stem	(B)
94	619445M91	1	Arm	(B)
95	355620X1	1	Washer	(B)
	354048X1	1	Pin	(B)
99	353431X1	2	Nut Unf	(B)
100	353519X1	2	Screw Unf	(B)
	353755X1	2	Washer	(B)
	353446X1	2	Lock Washer	(B)
	353916X1	2	Nut Unf	(B)
101	419078M91	1	Ratchet	(B)
102	180809M1	1	Spring	(B)
103	181149M1	1	Actuator	(B)
104	181150M1	1	Connecting Link	(B)
105	195242M1	1	Pin	(B)

BRAKES CONTROL

Item	Part Number	Qty	Description	Comments
	354057X1	1	Pin	(B)
106	419075M91	1	Bracket	(B)
107	353517X1	2	Screw Unf	(B)
	353446X1	2	Lock Washer	(B)
	353916X1	2	Nut Unf	(B)
108	354441X1	1	Screw Unc	(B)
	353446X1	2	Lock Washer	(B)
	353676X1	2	Screw Unc	(B)
				(A)
				STANDARD BRAKES
				(B)
				BRAKES ON GEAR BOX
				(C)
				DETAIL PAGE 172
				(D)
				DETAIL PAGE 176
				(E)
				GERMANY

COMMANDE DE FREINS (SUR BOITE DE VITESSES)
 BREMSEN (DRECHTROMMELANTRIEB)
 MANDO DE FRENOS (TRANSMISSION)
 BRAKES CONTROL (CYLINDER DRIVE BOX)



BRAKING CONTROL - CYLINDER DRIVE BOX

Item	Part Number	Qty	Description	Comments
				CYLINDER DRIVE BOX
1	910948M1	1	Treadle	Right Hand
2	910947M1	1	Treadle	Left Hand
3	220670M1	2	Pad	
4	912951M91	1	Arm	Left Hand
5	912952M91	1	Arm	Right Hand
6	226907M1	1	Support	
7	226873M1	1	Shaft	
8	226872M1	1	Pin Hitch	
9	16772X	1	Ball	
10	C2309	1	Spring	
11	359029X1	1	Screw Unc	
12	353483X1	1	Pin	
13	214446M1	2	Spring	
14	609746M91	1	Bearer	
15	353539X1	4	Screw Unf	
	353434X1	4	Lock Washer	
	353431X1	4	Nut Unf	
16	353517X1	3	Screw Unf	
	353446X1	3	Lock Washer	
	353916X1	3	Nut Unf	
17	785624M91	2	Cylinder	(A)
18	195234M1	2	Clevis Pin	
	354055X1	2	Pin	
19	13811X	4	Grease Nipple	
20	353427X1	1	Nut Unf	
	353433X1	1	Lock Washer	
21	353519X1	4	Screw Unf	
	353446X1	4	Lock Washer	
	353916X1	3	Nut Unf	
22	353538X1	2	Screw Unf	
	353434X1	2	Lock Washer	
23	353536X1	2	Screw Unf	
	353434X1	2	Lock Washer	
	353431X1	2	Nut Unf	
24	787759M91	1	Tube	
25	786722M91	1	Tube	
26	1850060M1	2	Union	
27	786727M1	4	Clip	
28	357433X1	4	Screw Unc	
	353444X1	4	Lock Washer	
	354119X1	4	Nut Unc	
29	617821M92	1	Stem	
30	353673X1	2	Bolt Unc	
	353441X1	2	Lock Washer	
	355564X1	2	Nut Unc	
31	786145M91	1	Valve	(A)
32	360081X1	2	Clamp	
33	357444X1	2	Screw	
	353445X1	2	Lock Washer	
34	619489M91	1	Tube	
35	617949M91	1	Tube	
36	353593X1	2	Screw Unf	
	353437X1	2	Nut Unf	
	353439X1	2	Lock Washer	
37	619486M91	1	Tube	
38	619487M91	1	Tube	
39	353519X1	2	Screw Unf	
	353446X1	2	Lock Washer	
	353916X1	2	Nut Unf	
40	617816M91	1	Shaft	
41	911906M91	1	Bearer	
42	354081X1	1	Pin	
43	832044M1	1	Washer	
44	14375X	1	Pin	
45	617515M91	1	Bracket	
46	832146M1	2	Clevis Pin	(B)
	375282X1	2	Pin	(B)
47	794979M1	1	Lever	
48	619441M1	1	Brake	(C)

BRAKING CONTROL - CYLINDER DRIVE BOX

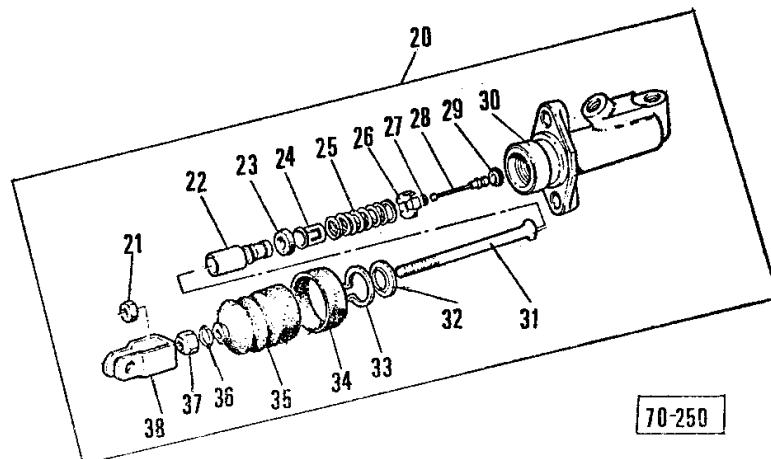
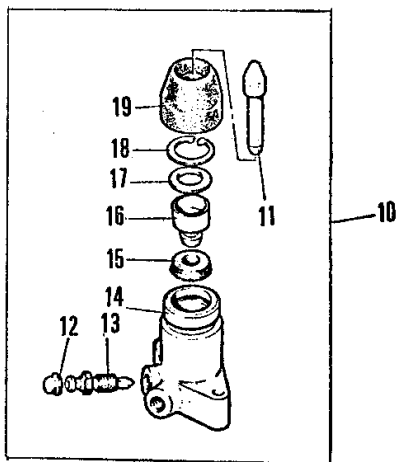
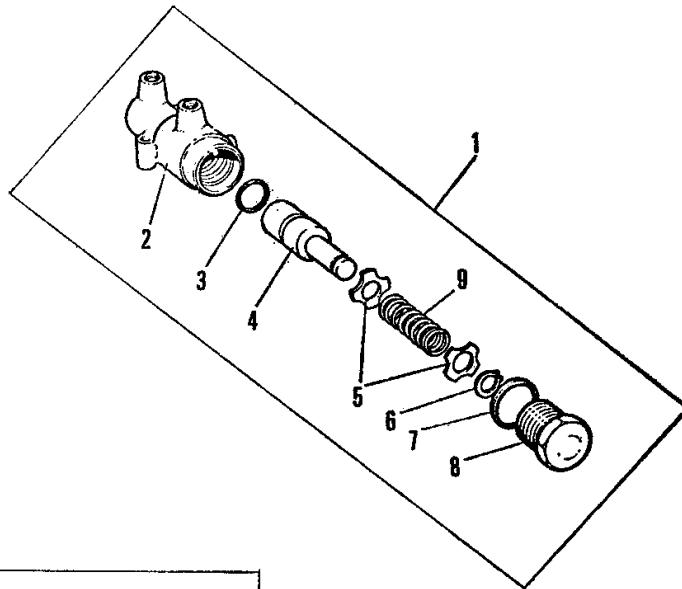
Item	Part Number	Qty	Description	Comments
49	619443M1	1	Drum	
50	354057X1	1	Pin	
51	353593X1	1	Screw Unf	
	619439M1	1	Washer	
	353539X1	1	Screw Unf	
52	617812M91	1	Stem	
53	619445M91	1	Arm	
54	355620X1	1	Washer	
	354048X1	1	Pin	
55	353430X1	2	Nut Unf	
56	354441X1	1	Screw Unc	
57	353446X1	2	Lock Washer	
	353676X1	2	Screw Unc	
58	658115M1	1	Spring	
59	353756X1	2	Washer	
60	195586M1	1	Nut	
61	357146X1	2	Pin	(D)
	354050X1	2	Pin	(D)
62	418617M91	1	Lever	INCL. REF. 119 TO 124 (E)
63	354048X1	2	Pin	(A) DETAIL PAGE 172 (B) ALTERNATIVE (C) DETAIL PAGE 176 (D) ALTERNATIVE (E) DETAIL PAGE 179

172

VALVE
VENTIL
VALVULA
VALVE } 786 145 M91

CYLINDRE DE ROUE
RADZYLINDER
CILINDRO DE RUEDA
WHEEL CYLINDER } 785 625 M91

MAITRE CYLINDRE
ZYLINDER
CILINDRO
CYLINDER } 785 624 M91

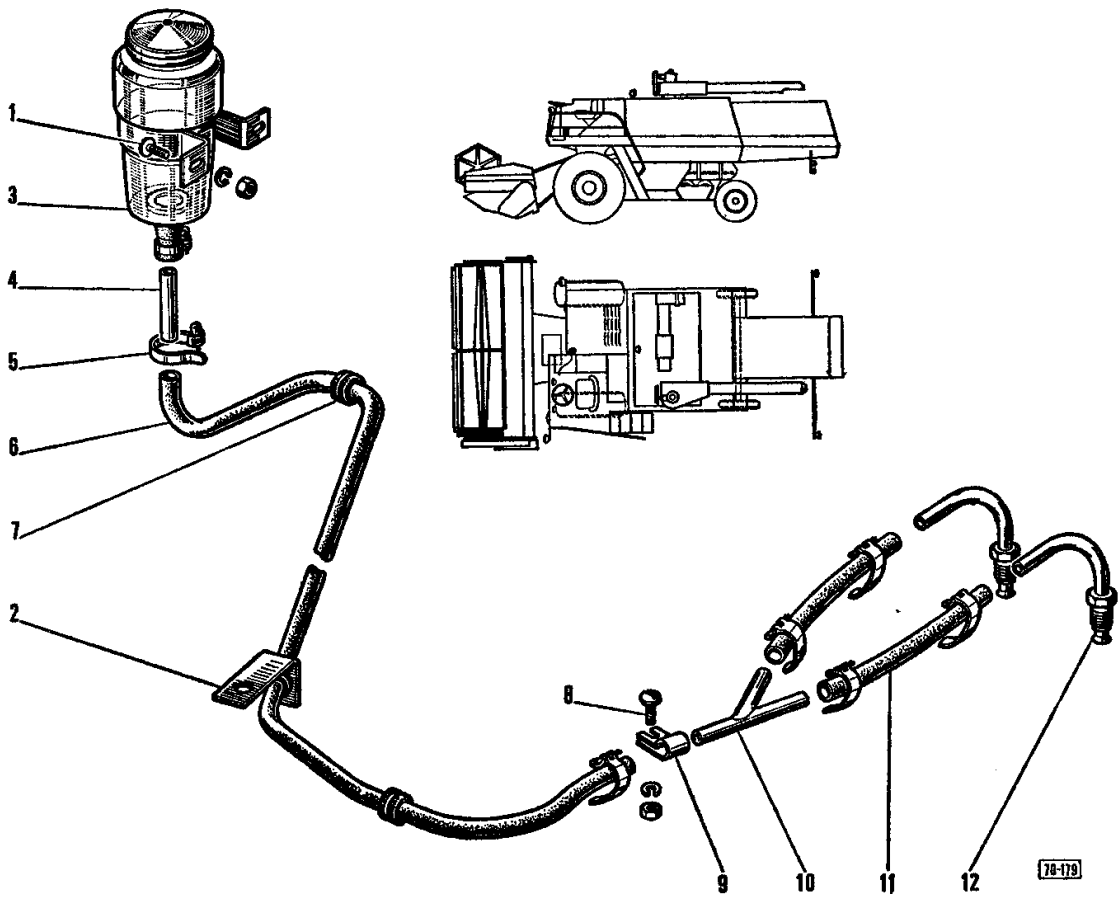


70-250

VALVES - 786145M91

Item	Part Number	Qty	Description	Comments
				786145M91
1	786145M91	1	Valve	INCL. REF. 2 TO 9
2		1	Body	(A)
3	1885422M1	1	O Ring	(A)
4	1885415M1	1	Plunger	(A)
5	1885417M1	1	Washer	(A)
7	1885420M1	1	Seal	(A)
8	1885419M1	1	Plug	(A)
9	1885418M1	1	Spring	(A)
				WHEEL CYLINDER - 785625M91
10	785625M92	2	Cylinder	INCL. REF. 11 TO 19
11	1885428M1	1	Rod	
12		1	Cap	(B)
13	1885429M1	1	Screw	
14		1	Body	(B)
15		1	Seal	(B)
16	1885423M1	1	Piston	
17	1885425M1	1	Washer	
18		1	Circlip	(B)
19		1	Cap	(B)
	1885456M91	1	Kit, Cylinder	
				CYLINDER - 785624M91
20	785624M91	2	Cylinder	INCL. REF. 21 TO 38
21	376447X1	1	Nut Unf	
22	1885240M1	1	Body	
23		1	Seal	(C)
24	1885242M1	1	Retainer	
25	1885233M1	1	Spring	
26		1	Washer	(C)
27		1	Circlip	(C)
28	1885237M91	1	Plunger	
29	1885235M1	1	Head	
30		1	Body	(C)
31	1885239M1	1	Rod	
32	1885236M1	1	Washer	
33		1	Circlip	(C)
34		1	Seal	(C)
35		1	Cap	(C)
36	1852964M1	1	Sleeve	
37	1851993M1	1	Nut	
38	1885241M1	1	Clevis	
	1810304M91	1	Kit, Cylinder	
				(A) Not serviced, order 786145M91
				(B) Not serviced, order 1885456M91
				(C) Not serviced, order 1810304M91

BRAKE FLUID CONTAINER
 TANQUE DE FRENO CON NIVEL APPARENTE
 RESERVOIR DE FREIN A NIVEAU APPARENT
 BREMSFLUESSIGKEITS BEHALTER

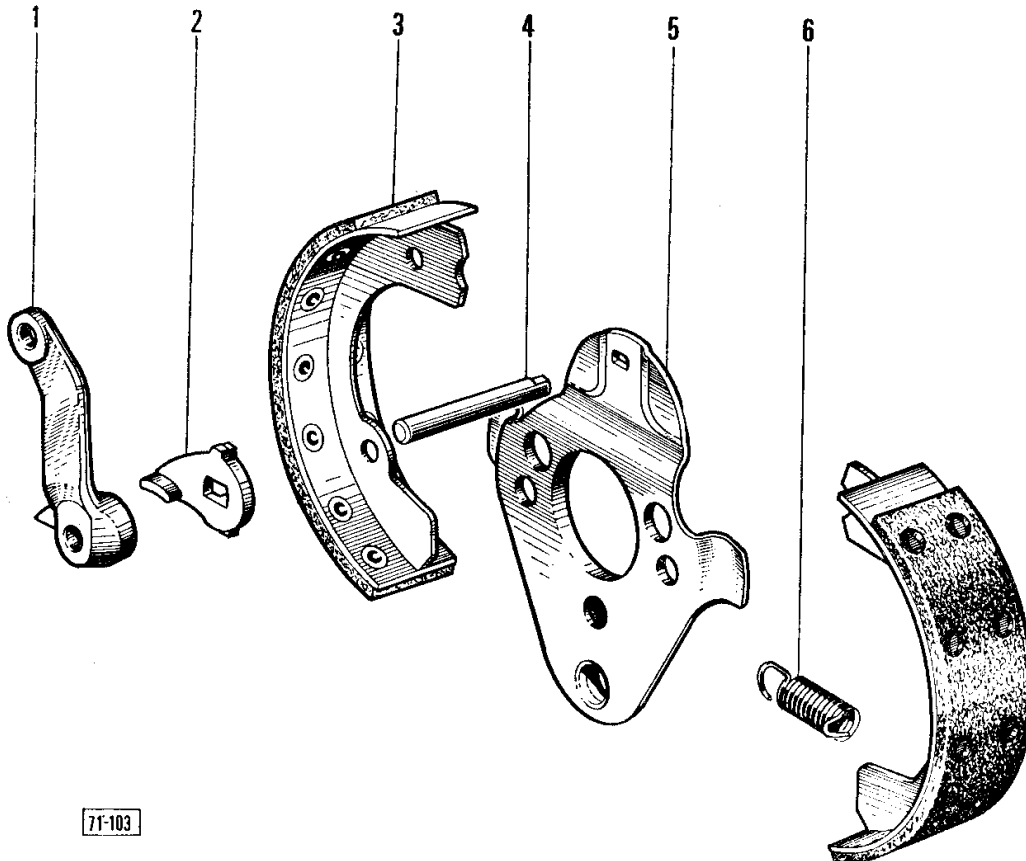
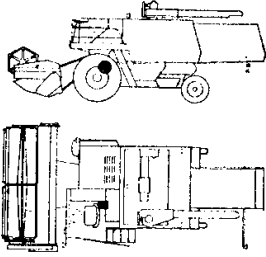


BRAKE FLUID CONTAINER

Item	Part Number	Qty	Description
1	353970X1	2	Screw Unc
	353441X1	2	Lock Washer
	355564X1	2	Nut Unc
2	619583M1	1	Bracket
3	902380M2	1	Reservoir
4	902382M1	1	Tube
5	1803495M1	6	Clamp
6	912923M1	1	Tube
7	1803494M1	3	Grommet
8	353970X1	1	Screw Unc
	353441X1	1	Lock Washer
	355564X1	1	Nut Unc
9	623841M1	1	Clip
10	902820M1	1	Union
11	912922M1	2	Tube
12	912912M91	2	Tube

176

FREIN DE PARKING
PARKIERBREMSE
FRENO DE ESTACIONAMIENTO
PARKING LATCH



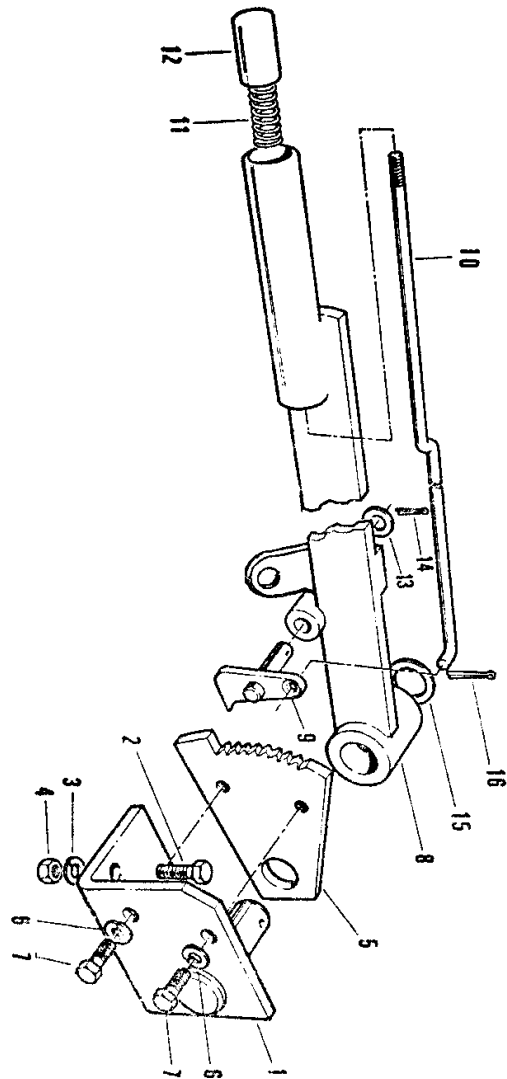
71-103

PARKING LATCH

Item	Part Number	Qty	Description	Comments
	619441M1	1	Brake	INCL. REF. 1 TO 6
1	1807211M1	1	Lever	
2	1802336M1	1	Cam	
3	1807209M91	2	Brake Shoe	
4	1807210M1	1	Clevis Pin	
5	1807208M91	1	Tray	
6	1802333M1	2	Spring	

FREIN A MAIN (Allemagne)
HANDBREMSHEBEL (Deutschland)
FRENO DE MANO (Alemania)
HAND BRAKE (Germany)

179



72425

MASSEY FERGUSON
MF 520/525 COMBINES - 1646022

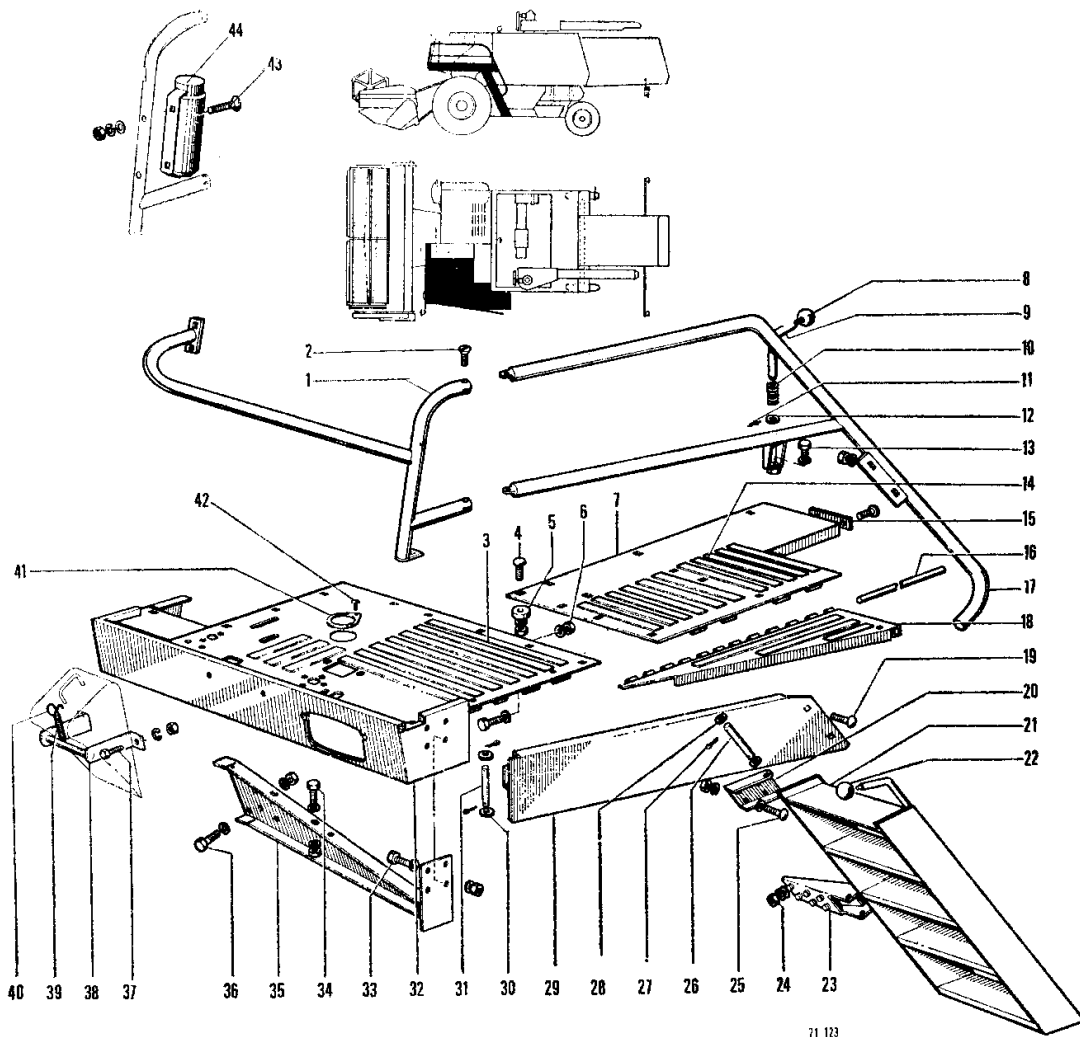
1646022

179

HAND BRAKE - GERMANY

Item	Part Number	Qty	Description	Comments
				GERMANY
1	418614M91	1	Angle	
2	339123X1	3	Screw Metric	
3	339374X1	3	Lock Washer	
4	339169X1	3	Nut Metric	
5	418616M1	1	Quadrant	
6	339374X1	2	Lock Washer	
7	339124X1	2	Screw Metric	
8	418617M91	1	Lever	INCL. REF. 9 TO 14
9	418621M91	1	Handle	
10	418618M1	1	Rod	
11	402000M1	1	Spring	
12	401998M1	1	Button	
13	339024X1	1	Washer Metric	
14	339087X1	1	Pin	
15	1440301X1	1	Washer Metric	
16	339133X1	1	Pin	

PLATE-FORME DE CONDUITE
FAHRERPLATTFORM
PLATAFORMA DEL CONDUCTOR
OPERATOR'S PLATFORM



71 123

OPERATORS PLATFORM

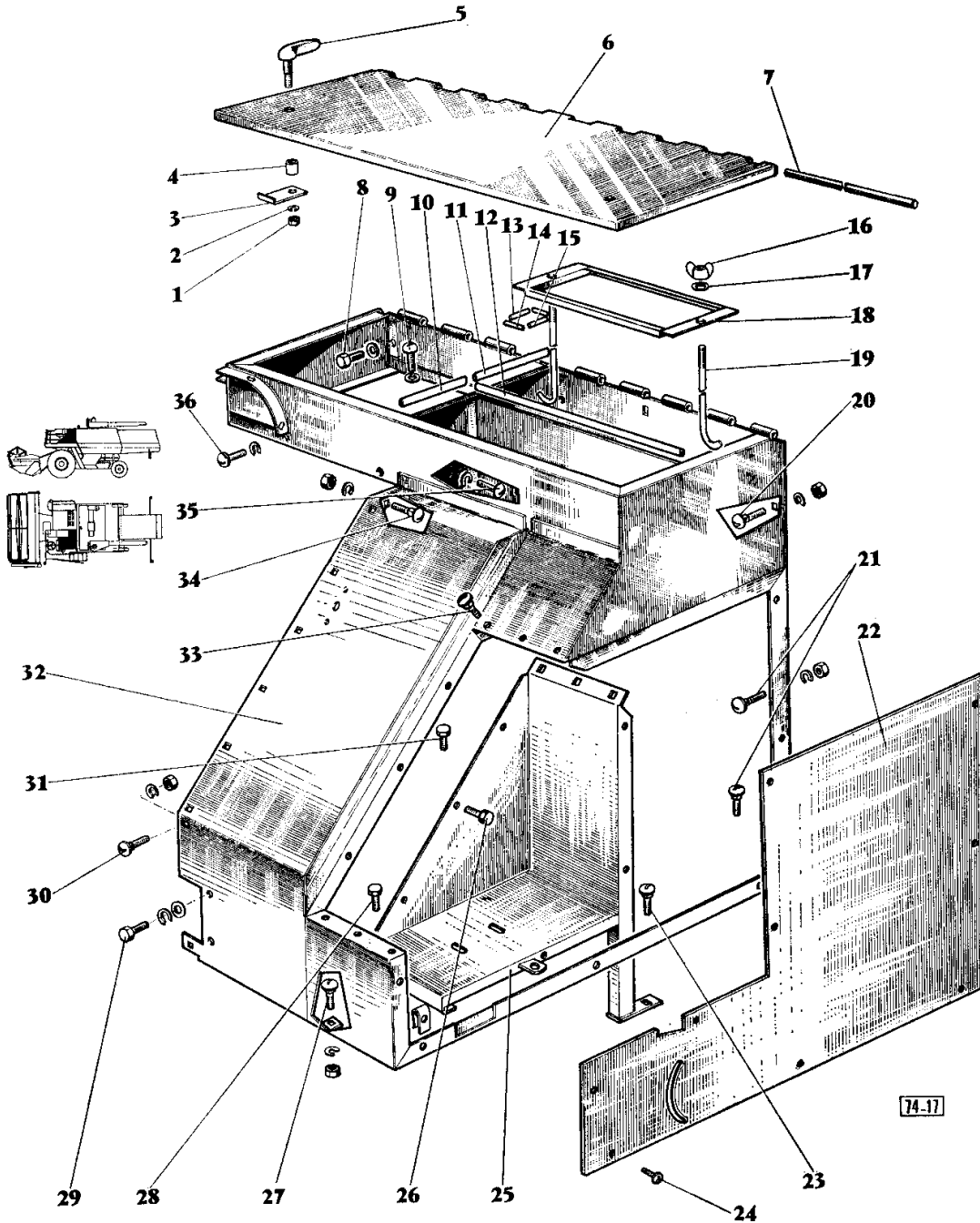
Item	Part Number	Qty	Description	Comments
1	619215M94	1	Ramp	
2	355103X1	2	Screw	
3	230560M1	15	Strip	
4	353793X1	9	Bolt Unf	
	353755X1	9	Washer	
	353446X1	9	Lock Washer	
	353916X1	9	Nut Unf	
5	912984M1	1	Spacer	
6	353529X1	4	Bolt Unf	
	353446X1	4	Lock Washer	
	353916X1	4	Nut Unf	
7	912999M91	1	Platform	
8	210976M2	1	Knob	
9	619533M92	1	Clevis Pin	
10	619536M1	1	Spring	
11	354048X1	1	Pin	
12	619541M1	1	Washer	
13	353501X1	2	Screw Unf	
	353441X1	2	Lock Washer	
14	230561M1	1	Band	
15	619228M1	1	Spacer	
16	917049M1	1	Clevis Pin	
17	619184M94	1	Rail	
18	619180M91	1	Extension	
19	359998X1	5	Bolt Unf	
	353755X1	5	Washer	
	353446X1	5	Lock Washer	
	353916X1	5	Nut Unf	
20	912249M1	1	Hinge	
21	912689M93	1	Ladder	
22	205612M1	1	Knob	
23	912993M91	1	Hinge	
	353758X1	6	Washer	
	353439X1	6	Lock Washer	
24	353437X1	6	Nut Unf	
25	359985X1	4	Bolt Unf	
	353758X1	4	Washer	
	353439X1	4	Lock Washer	
	353437X1	4	Nut Unf	
26	912253M1	2	Pin	
27	354074X1	4	Pin	
28	353758X1	4	Washer	
29	619311M93	1	Trim	
30	353755X1	2	Washer	
	354048X1	2	Pin	
31	619307M1	1	Pin	
32	912242M94	1	Floor	
	1615200M92	1	Floor	(A)
33	353517X1	5	Screw Unf	
	353755X1	5	Washer	
	353446X1	5	Lock Washer	
34	353417X1	4	Bolt	
	353755X1	4	Washer	
	353446X1	4	Lock Washer	
	353916X1	4	Nut Unf	
35	912237M93	1	Support	
36	353560X1	2	Screw Unf	
	353432X1	2	Lock Washer	
	353426X1	2	Nut Unf	
37	339081X1	2	Screw Metric	(A)
	1440314X1	2	Washer	(A)
	339402X1	2	Nut Metric	(A)
38	419990M91	1	Support	INCL. REF. 38,39,40 (A)
	419968M91	1	Bearer	(A)
39	322980M1	1	Spring	(A)
40	322979M1	1	Knotter Hook	(A)
41	636511M1	2	Cover	
42	360369X1	1	Screw	
43	339150X1	2	Screw Metric	(A)

OPERATORS PLATFORM

Item	Part Number	Qty	Description	Comments
	339375X1	2	Lock Washer	(A)
	339030X1	2	Nut Metric	(A)
44	916533M1	1	Extinguisher	(A)
45	360602X1	1	Pin	
46	606960M92	1	Rail	
47	1724776M1	1	Mirror	(A)
48	1615129M91	1	Bearer	(A)
49	353516X1	2	Screw Unf	(A)
	353446X1	2	Lock Washer	(A)
	353916X1	2	Nut Unf	(A)
				(A)
				GERMANY

181 C

SUPPORT DE SIEGE
SITZHALTERUNG
SOPORTE DE ASIENTO
BRACKET-SEAT } N° 14200 →

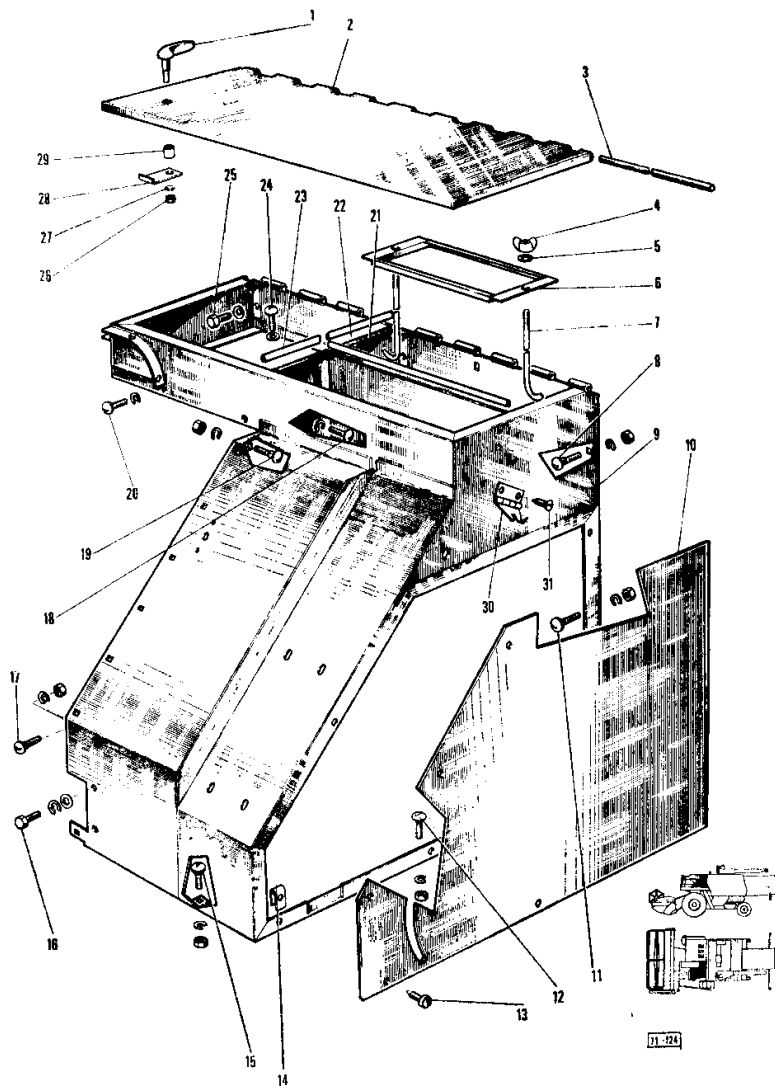


SEAT BRACKET

Item	Part Number	Qty	Description	Comments
				From Serial or Engine Number 14200
1	353918X1	2	Nut Unf	
2	353441X1	2	Lock Washer	
3	228659M1	2	Latch	
4	361050X1	2	Spacer	
5	194119M91	2	Handle	
6	912854M91	1	Cover	
7	912789M1	1	Clevis Pin	
8	353516X1	2	Screw Unf	
	353755X1	2	Washer	
9	348554X1	3	Screw	
	353446X1	3	Lock Washer	
10	912790M1	1	Tongue	
11	912791M1	1	Trim	
12	912792M1	1	Trim	
13	617668M1	1	Spline	
14	617626M1	2	Spline	
15	617627M1	1	Spline	
16	355582X1	2	Nut Unf	
17	353441X1	2	Lock Washer	
18	912797M91	1	Frame	
19	912788M1	2	Draglink	
20	359998X1	6	Bolt Unf	
	353446X1	6	Lock Washer	
	353916X1	6	Nut Unf	
21	359998X1	7	Bolt Unf	
	353446X1	7	Lock Washer	
	353916X1	7	Nut Unf	
22	1615461M1	1	Door	
23	353793X1	1	Bolt Unf	
	353446X1	1	Lock Washer	
	353916X1	1	Nut Unf	
24	248312M1	9	Screw	
	365407X1	9	Nut	
	356951X1	9	Nut	
25	1615380M91	1	Support	
26	353517X1	3	Screw Unf	
	353446X1	3	Lock Washer	
	355618X1	3	Washer	
27	359998X1	1	Bolt Unf	
	353446X1	1	Lock Washer	
	353916X1	1	Nut Unf	
28	353517X1	3	Screw Unf	
	353446X1	3	Lock Washer	
	353916X1	3	Nut Unf	
29	353516X1	2	Screw Unf	
	353755X1	2	Washer	
	353446X1	2	Lock Washer	
30	359998X1	8	Bolt Unf	
	353448X1	8	Screw	
	353916X1	8	Nut Unf	
31	353559X1	2	Screw Unf	
	353772X1	2	Washer	
	353432X1	2	Lock Washer	
	353426X1	2	Nut Unf	
32	1615463M91	1	Support	
33	353793X1	3	Bolt Unf	
	353618X1	3	Bolt Unf	
	353446X1	3	Lock Washer	
	353916X1	3	Nut Unf	
34	359998X1	1	Bolt Unf	
	353446X1	1	Lock Washer	
	353916X1	1	Nut Unf	
35	348556X1	2	Screw	
	353446X1	2	Lock Washer	
	353755X1	2	Washer	
	353916X1	2	Nut Unf	
36	348554X1	2	Screw	
	353446X1	2	Lock Washer	

SUPPORT DE SIEGE
SITZHALTERUNG
SOPORTE DE ASIENTO
BRACKET-SEAT

183

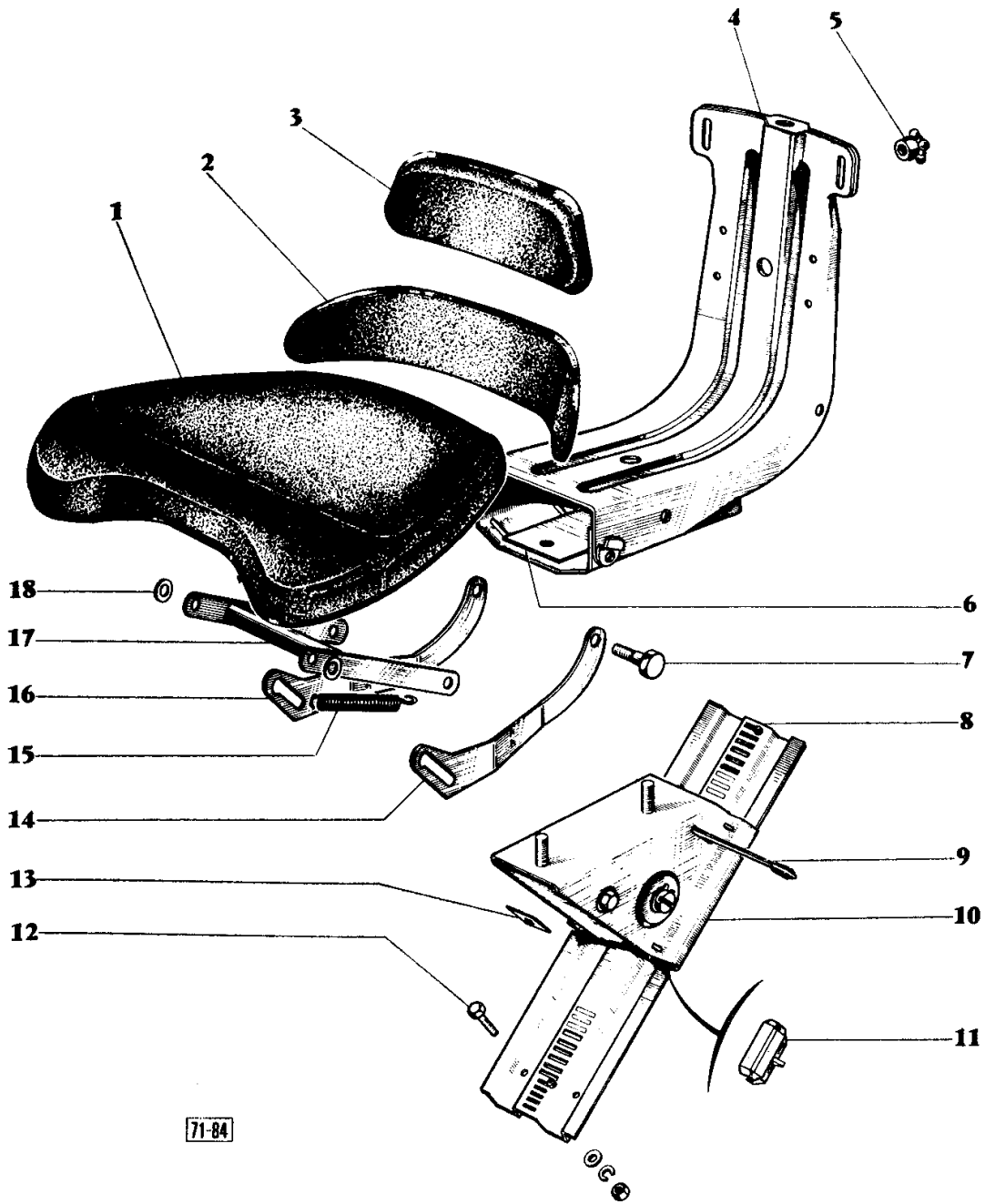


SEAT BRACKET

Item	Part Number	Qty	Description	Comments
				Up to Serial or Engine Number 14199
1	184779M92	2	Grip	(A)
	194119M91	2	Handle	(A)
2	912854M91	1	Cover	
3	912789M1	1	Clevis Pin	
4	355582X1	2	Nut Unf	
5	353441X1	2	Lock Washer	
6	912797M91	1	Frame	
7	912788M1	2	Draglink	
8	359998X1	6	Bolt Unf	
	353446X1	6	Lock Washer	
	353916X1	6	Nut Unf	
9	912747M94	1	Bearer	
10	912796M91	1	Door	
11	359998X1	4	Bolt Unf	
	353446X1	4	Lock Washer	
	353916X1	4	Nut Unf	
12	359998X1	4	Bolt Unf	
	353446X1	4	Lock Washer	
	353916X1	4	Nut Unf	
13	248312M1	8	Screw	
14	365407X1	8	Nut	
	356951X1	8	Nut	
15	359998X1	1	Bolt Unf	
	353446X1	1	Lock Washer	
	353916X1	1	Nut Unf	
16	353516X1	2	Screw Unf	
	353755X1	2	Washer	
	353446X1	2	Lock Washer	
17	359998X1	8	Bolt Unf	
	353446X1	8	Lock Washer	
	353916X1	8	Nut Unf	
18	348554X1	2	Screw	
	353446X1	2	Lock Washer	
19	359998X1	1	Bolt Unf	
	353446X1	1	Lock Washer	
	353916X1	1	Nut Unf	
20	348554X1	2	Screw	
	353446X1	2	Lock Washer	
21	912792M1	1	Trim	
22	912791M1	1	Trim	
23	912790M1	1	Tongue	
24	348554X1	3	Screw	
	353446X1	3	Lock Washer	
25	353516X1	2	Screw Unf	
	353755X1	2	Washer	
26	353918X1	2	Nut Unf	
27	353441X1	2	Lock Washer	
28	228659M1	2	Latch	
29	361050X1	2	Spacer	
30	617559M91	1	Latch	(B)
31	375409X1	2	Screw	(B)
	353441X1	2	Lock Washer	(B)
	353918X1	2	Nut Unf	(B)
				(A)
				Alternative
				(B)
				GERMANY

184

SIEGE
FAHRERSITZ
ASIENTO DEL CONDUCTOR
OPERATORS SEAT



71-84

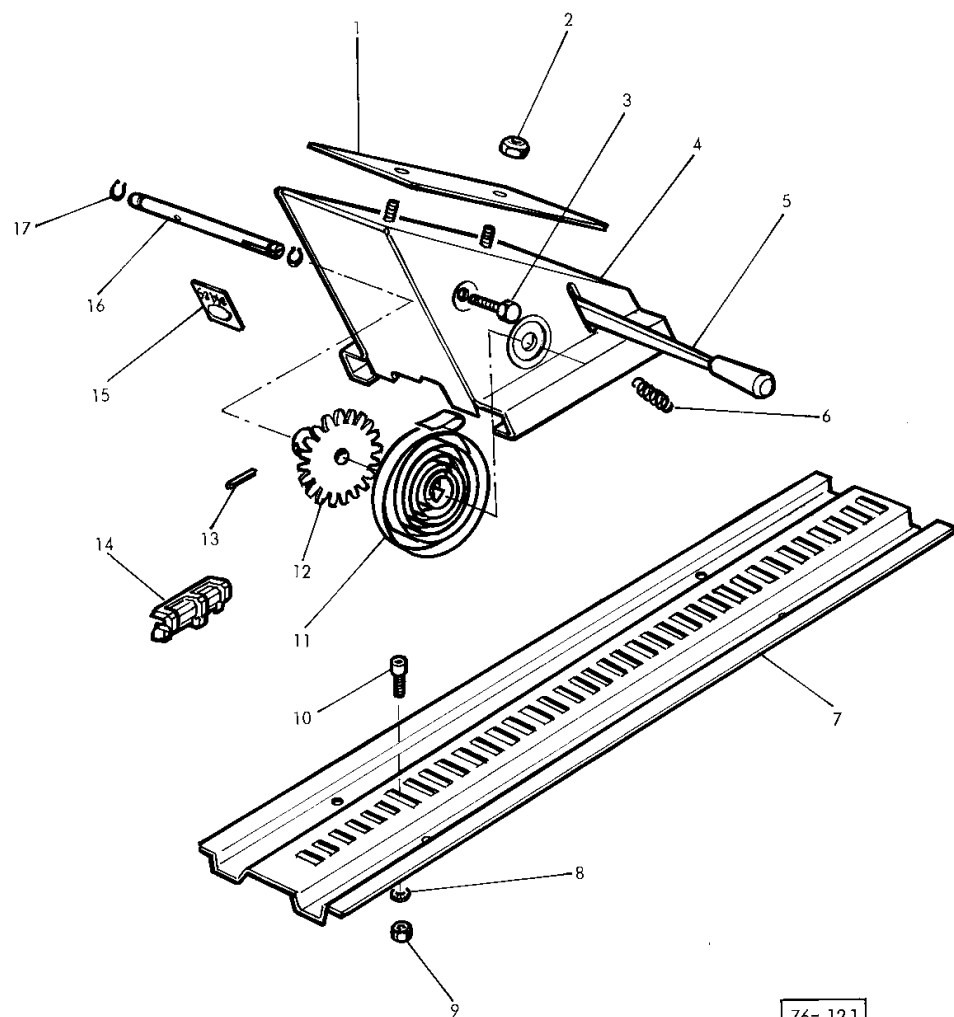
OPERATORS SEAT

Item	Part Number	Qty	Description	Comments
	912811M1	1	Seat	INCL. REF. 1 TO 11, 13 TO 18
1	1805774M1	1	Seat	
2	1804994M1	1	Protective Strip	
3	1804992M1	1	Back Cushion	
4	1807223M1	1	Arm	
5	1805775M1	2	Knob	
6	1807229M1	1	Plate	
7	1805770M1	6	Screw	
8	1807231M1	1	Rack	
9	1805777M1	1	Handle	
10	1807225M1	1	Pedestal	(A)
11	1805757M1	4	Slide	
12	353518X1	4	Screw Unf	
	353755X1	4	Washer	
	353446X1	4	Lock Washer	
	353916X1	4	Nut Unf	
13	1806698M1	1	Label	
14	1805769M1	1	Arm	Left Hand
15	1807221M1	1	Spring	
16	1805768M1	1	Arm	Right Hand
17	1805768M1	1	Arm	
18	1805953M1	2	Washer	

(A)

See Page - Reference Number 185B

CHARIOT
STITSBALKEN
SOPORTE DE ASIENTO
SEAT HOLDER

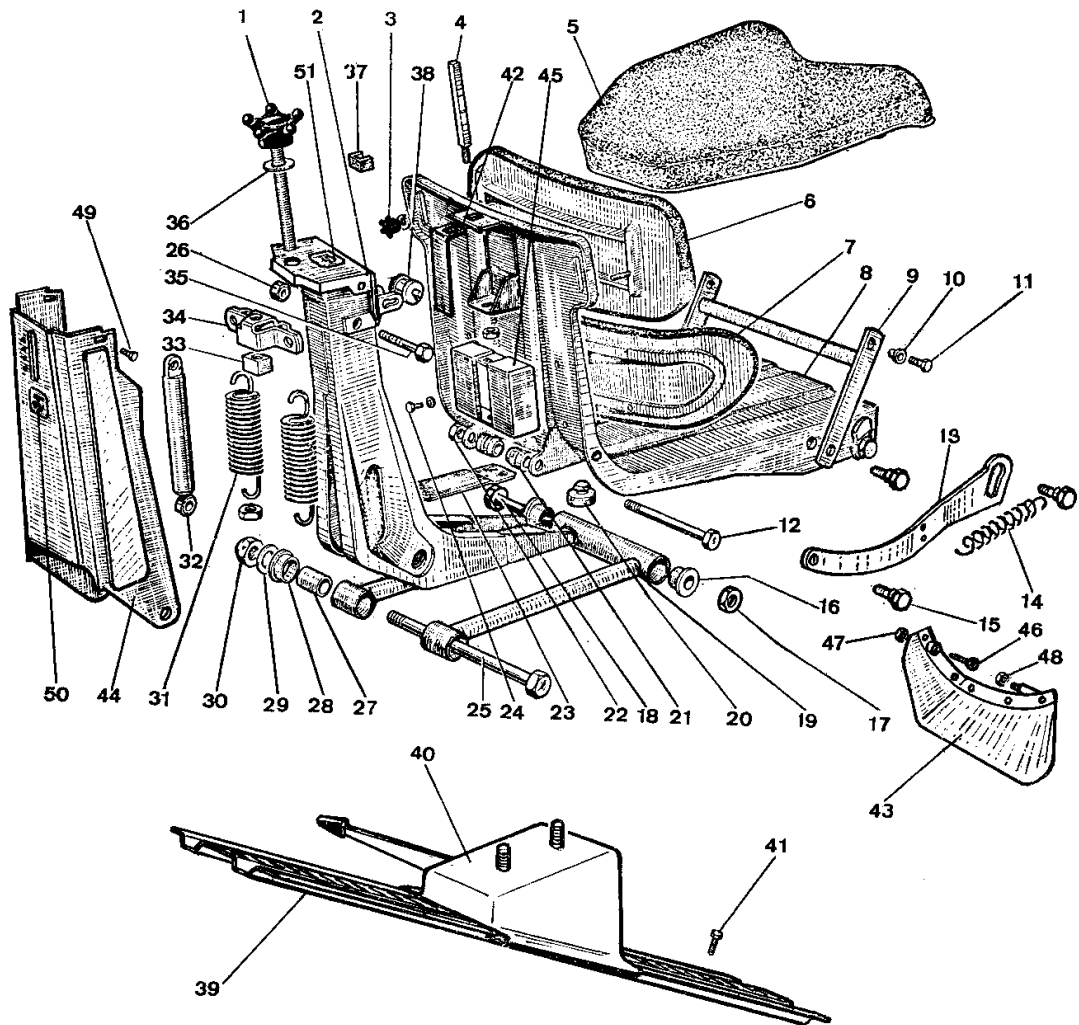


76- 121

SEAT HOLDER

Item	Part Number	Qty	Description
1	1807229M1	1	Plate
2	1638396M1	2	Nut
3	1630873M1	1	Screw
	1638385M1	1	Nut
4	1630871M91	1	Pedestal
5	1630877M1	1	Handle
6	1805779M1	1	Spring
7	1807231M1	1	Rack
8	1804967M1	2	Washer
9	1804968M1	2	Nut
10	1638387M1	1	Bolt
11	1630872M1	1	Spring
12	1630875M91	1	Sprocket
13	1638405M1	1	Pin
14	1805757M1	4	Slide
15	1806698M1	1	Label
16	1630876M1	1	Shaft
17	1630874M1	2	Circlip

SIEGE (Allemagne)
 FAHRERSITZ (Deutschland)
 ASIENTO DEL CONDUCTOR (Alemania)
 OPERATORS SEAT (Germany)



72-424

OPERATORS SEAT - GERMANY

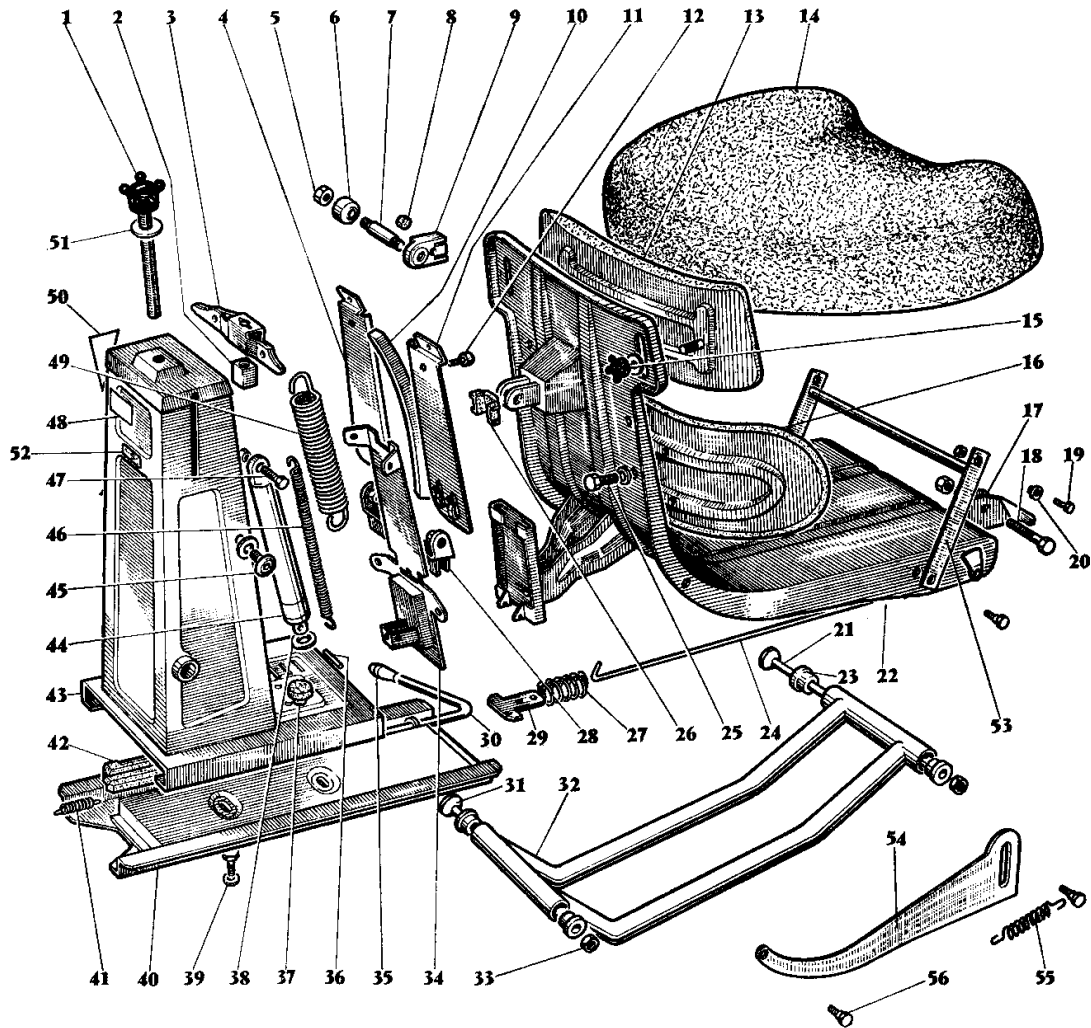
Item	Part Number	Qty	Description	Comments
				GERMANY Up to Serial or Engine Number 14199
	617565M1	1	Seat	
1	1638382M1	1	Knob	
2	1806720M1	1	Pedestal	
3	1805775M1	2	Knob	
	1806697M1	2	Washer	
4	1806705M1	1	Rod	
		1	Nut	
5	1638375M91	1	Cushion	
6	1645999M91	1	Latex	
7	1645998M91	1	Back Rest	
8	1638383M1	1	Arm	
9	1805767M1	1	Link	
10	1804953M1	2	Spacer	
11	1804952M1	2	Bolt	
12	1804970M1	1	Bolt	
13	1805768M1	1	Arm	Left Hand
	1805769M1	1	Arm	Right Hand
14	1807221M1	1	Spring	
15	1805770M1	6	Screw	
16	1804961M1	4	Bush	
17	1638388M1	1	Nut	
18	1804955M1	1	Bolt	
19	1638390M1	1	Arm	
20	1806707M1	1	Bumper	
21	1804960M1	2	Bush	
22	1638396M1	3	Nut	
23	1804957M1	1	Plate	
24	1804966M1	4	Screw	
	1804967M1	6	Washer	
25	1807227M1	1	Bolt	
26	1638385M1	12	Nut	
27	1804972M1	2	Bush	
28	1804965M1	4	Bush	
29	1638389M1	4	Washer	
30	1638392M1	1	Nut	
31	1804943M1	2	Spring	
32	1806728M1	1	Damper	
33	1806713M1	1	Nut	
34	1806712M1	1	Support	
35	1806715M1	1	Bolt	
36	1804991M1	1	Washer	
37	1806704M1	1	Shoe	
38	1806703M1	1	Roller	
39	1807231M1	1	Rack	
40	1807225M1	1	Pedestal	(A)
41	1638387M1	2	Bolt	
	1804968M1	2	Nut	
42	1638386M1	1	Plate	
43	1806710M1	1	Curtain	Left Hand
	1806711M1	1	Curtain	Right Hand
44	1638393M91	1	Housing	
	1806710M1	2	Curtain	
45	1806723M1	1	Housing	
46	1638394M1	2	Bolt	
47	1638381M1	2	Nut	
48	1638380M1	25	Nut	
49	1806700M1	2	Bolt	
50	1806698M1	1	Label	
51	1806719M1	1	Label	

(A)
SEE PAGE 185B

187 A

SIEGE - Std - ALLEMAGNE
 FAHRERSITZ - Std - DEUTSCHLAND
 ASIENTO - Std - ALEMANIA
 SEAT - Std - GERMANY

SABLE 1 615 454 M1 } N° 14200 →



74-16

SEAT - GERMANY

Item	Part Number	Qty	Description	Comments
				GERMANY SABLE 1615454M1 From Serial or Engine Number 14200
1	1804996M1	1	Knob	
2	1806713M1	1	Nut	
3	1805749M1	1	Bracket	
4	1638397M1	1	Plate	Left Hand
5	1638381M1	2	Nut	
6	1630887M1	1	Roller	
7	1630890M1	1	Pin	
8	1630888M1	2	Pad	
9	1630889M1	2	Bracket	
10	1638399M1	1	Rod	
11	1638398M1	1	Plate	Right Hand
12	1638407M1	2	Bolt	
13	1645999M91	1	Latex	
	1638446M1	1	Cover	
14	1638375M91	1	Cushion	
	1638444M1	1	Cover	
15	1805775M1	2	Knob	(A)
	1804946M1	2	Nut	(A)
	1806697M1	2	Washer	
16	1645998M91	1	Back Rest	
	1638445M1	1	Cover	
17	1635862M1	1	Handle	
18	1638410M1	1	Bolt	
	1638380M1	1	Nut	
19	1804952M1	2	Bolt	
	1638385M1	2	Nut	
20	1804953M1	2	Spacer	
21	1804955M1	1	Bolt	
22	1635863M91	1	Arm	
23	1804961M1	4	Bush	
24	1635861M1	1	Rod	
25	1804966M1	4	Screw	
	1804967M1	4	Washer	
26	1806704M1	1	Shoe	
27	1638403M1	1	Spring	
28	1638401M1	1	Spacer	
29	1638404M1	1	Catch	
30	1632964M91	1	Latch	
31	1638415M1	1	Bolt	
32	1635860M91	1	Arm	
33	1638388M1	2	Nut	
34	1638418M1	1	Rack	
35	1632955M1	1	Handle	
36	1638405M1	1	Pin	
37	1806707M1	2	Bumper	
38	1632961M1	1	Washer	
39	1632960M1	2	Screw	
	1632958M1	2	Washer	
40	1632963M91	1	Plate	
41	1632957M1	1	Spring	
42	1805757M1	4	Slide	
43	1632962M91	1	Bearer	
44	1638400M1	1	Bumper	
45	1638414M1	2	Bolt	
	1638413M1	2	Washer	
46	1638395M1	2	Spring	
47	1638408M1	1	Bolt	
	1638385M1	1	Nut	
48	1806698M1	1	Label	
49	1638402M1	2	Spring	
50	1638412M1	1	Decal	
51	1804991M1	1	Washer	
52	1638417M1	1	Decal	
53	1805767M1	1	Link	
54	1805768M1	1	Arm	Left Hand
	1805769M1	1	Arm	Right Hand
55	1807221M1	2	Spring	

MASSEY FERGUSON
MF 520/525 COMBINES - 1646022

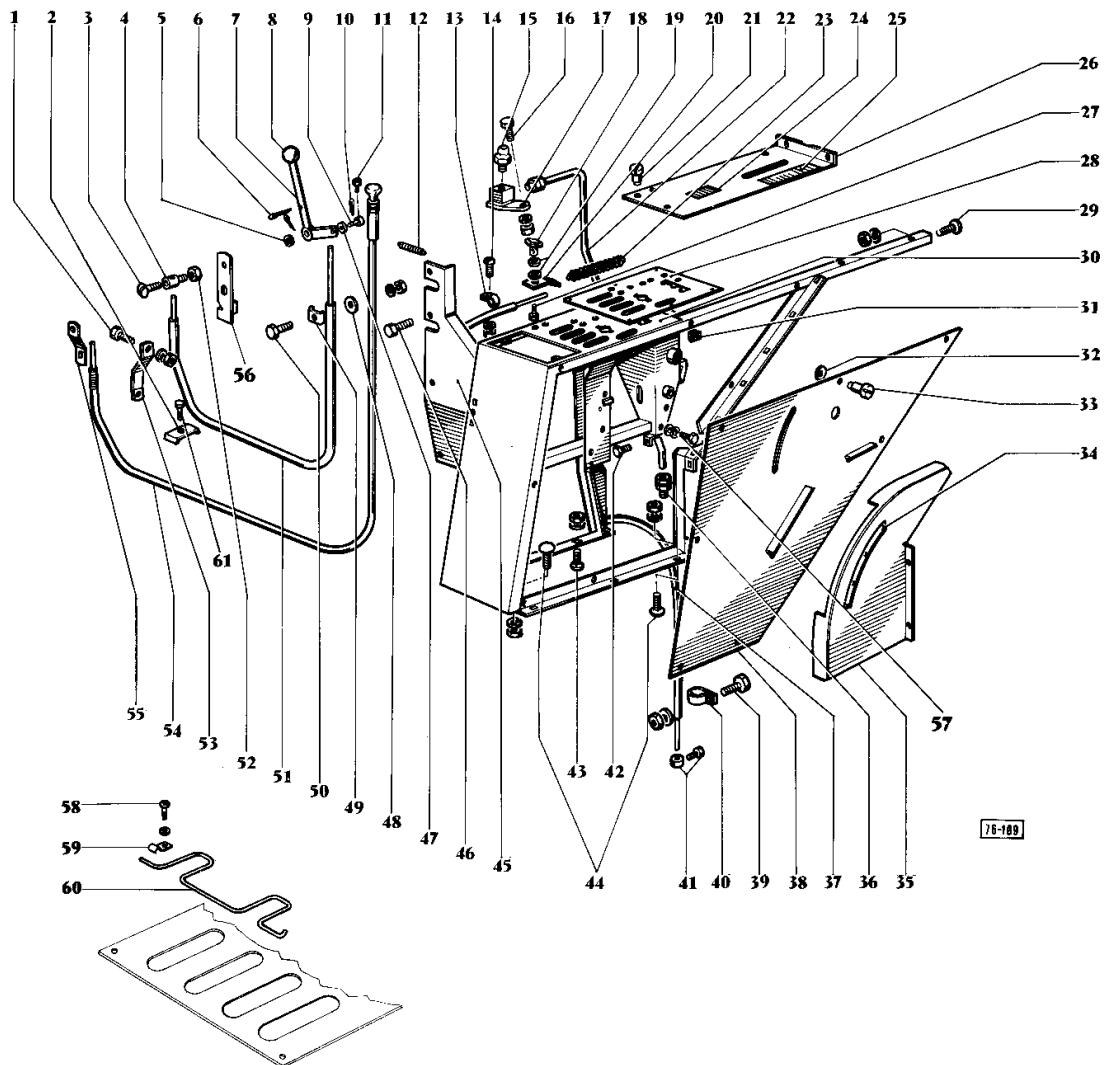
1646022

187A

SEAT - GERMANY

Item	Part Number	Qty	Description	Comments
56	1805770M1	6	Screw	(A) Alternative

BOITE DE CONTROLE
 SCHALTGEHAUSE
 CAJA DE CONTROL
 CONTROL BOX



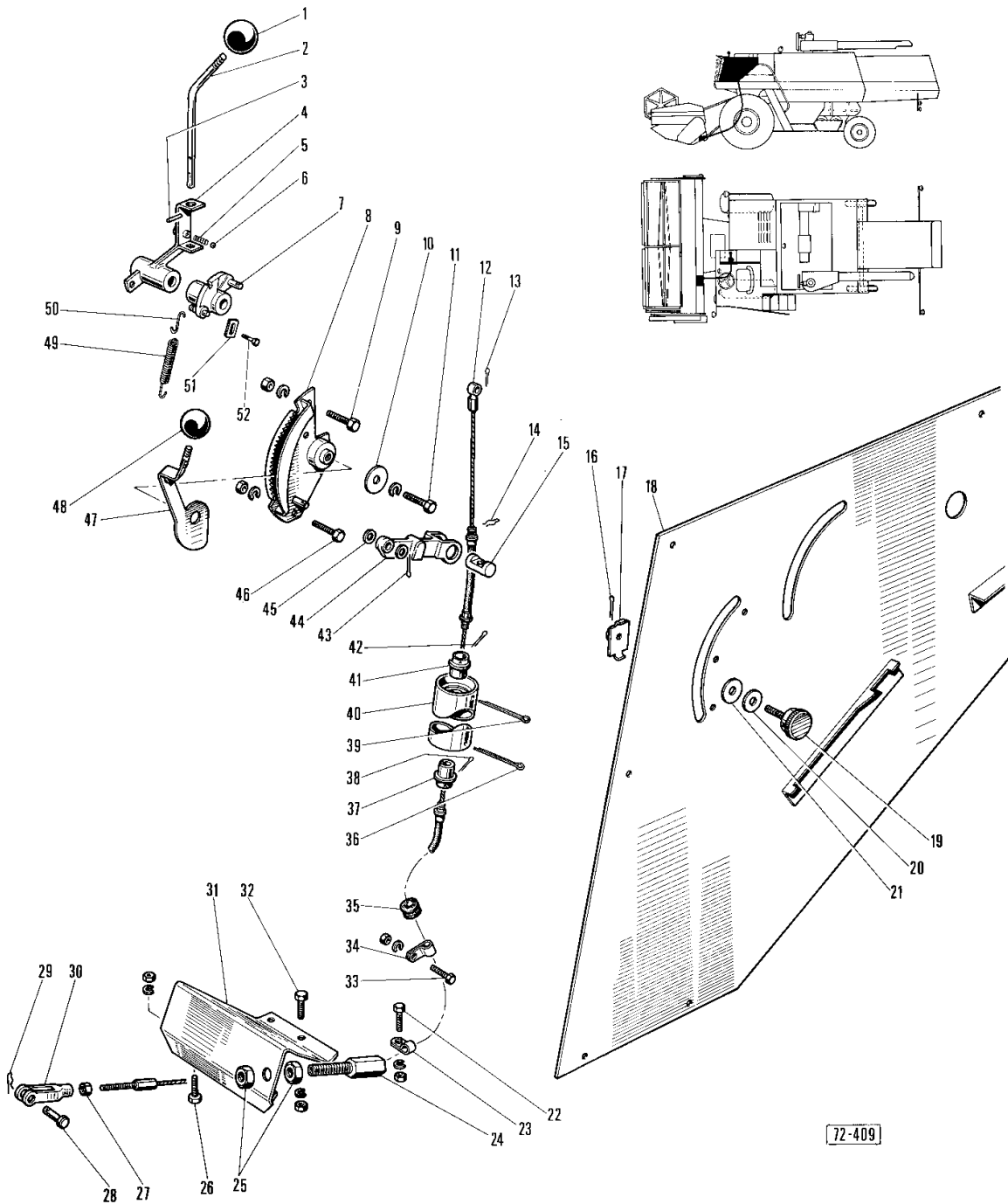
CONTROL BOX

Item	Part Number	Qty	Description	Comments
1	353558X1	1	Screw Unf	
	353432X1	1	Lock Washer	
	353916X1	1	Nut Unf	
2	617680M1	1	Strap	
3	353977X1	2	Screw Unc	
4	230405M1	2	Swivel	
5	353758X1	1	Washer	
6	354059X1	2	Pin	
7	619509M91	1	Lever	
8	210976M2	1	Knob	
9	233921M1	1	Swivel	
10	354039X1	1	Cotter	
11	832401M1	1	Screw	
12	223877M1	1	Spring	
13	180739M1	1	Clip	
14	353981X1	1	Screw Unc	
	353445X1	1	Lock Washer	
	354120X1	1	Nut	
15	364461X1	1	Nipple	
16	353519X1	1	Screw Unf	
	353916X1	1	Nut Unf	
	353446X1	1	Lock Washer	
17	204743M1	1	Bearer	
18	227669M1	1	Indicator	
19	239221M1	2	Washer	
20	227666M1	1	Bracket	
21	348554X1	2	Screw	
	353446X1	2	Lock Washer	
	353755X1	2	Washer	
22	619901M1	1	Tube	
23	239383M1	1	Spring	
24	957736M2	1	Transfer	
	910550M1	1	Transfer	
25	910578M1	1	Decal	
	910579M1	1	Transfer	
	910580M1	1	Transfer	
	910664M1	1	Transfer	
26	912448M91	1	Cover	
27	832401M1	1	Screw	
28	619592M3	1	Plate	
	619854M3	1	Plate	
	360360X1	8	Screw	(A)
29	353791X1	1	Bolt Unf	
	353446X1	1	Lock Washer	
	355802X1	1	Washer	
	353916X1	1	Nut Unf	
30	912427M97	1	Control Box	
31	365406X1	9	Nut	
32	365407X1	9	Nut	
33	248312M1	9	Screw	
34	619593M1	1	Plate	
	831655M1	4	Rivet	
35	912442M93	1	Cover	
36	356665X1	1	Union	
37	240462M1	1	Cable	
38	912445M91	1	Cover	
39	353989X1	2	Screw Unc	
	353441X1	2	Lock Washer	
	353564X1	2	Bolt Unf	
40	610610M1	2	Clamp	
41	355223X1	2	Screw Unc	
42	353516X1	2	Screw Unf	
	353755X1	2	Washer	
	353446X1	2	Lock Washer	
	353916X1	2	Nut Unf	
43	353793X1	2	Bolt Unf	
	353446X1	2	Lock Washer	
	355802X1	2	Washer	
	353916X1	2	Nut Unf	
44	353793X1	5	Bolt Unf	

CONTROL BOX

Item	Part Number	Qty	Description	Comments
	353446X1	5	Lock Washer	
	353755X1	5	Washer	
	353916X1	5	Nut Unf	
45	619889M91	1	Panel	
46	353516X1	4	Screw Unf	
	353446X1	4	Lock Washer	
	353755X1	4	Washer	
47	353754X1	1	Washer	
48	361228X1	1	Washer	
49	227651M1	1	Clamp	
50	353536X1	1	Screw Unf	
	353434X1	1	Lock Washer	
	353916X1	1	Nut Unf	
51	233929M1	1	Cable	
52	354119X1	2	Nut Unc	
53	659997M1	1	Bracket	
54	910291M91	1	Pull	
55	619508M1	1	Lever	
56	606786M12	1	Lever	
57	353697X1	1	Screw Unc	
	353432X1	1	Lock Washer	
	353757X1	1	Washer	
58	375405X1	3	Screw	(B)
	353445X1	3	Lock Washer	
59	180739M1	3	Clip	(B)
60	617560M1	1	Latch	(B)
	357515X1	3	Nut Unf	
61	353558X1	1	Screw Unf	
	353432X1	1	Lock Washer	
			(A)	
			GERMANY QTE 7	
			(B)	
			GERMANY	

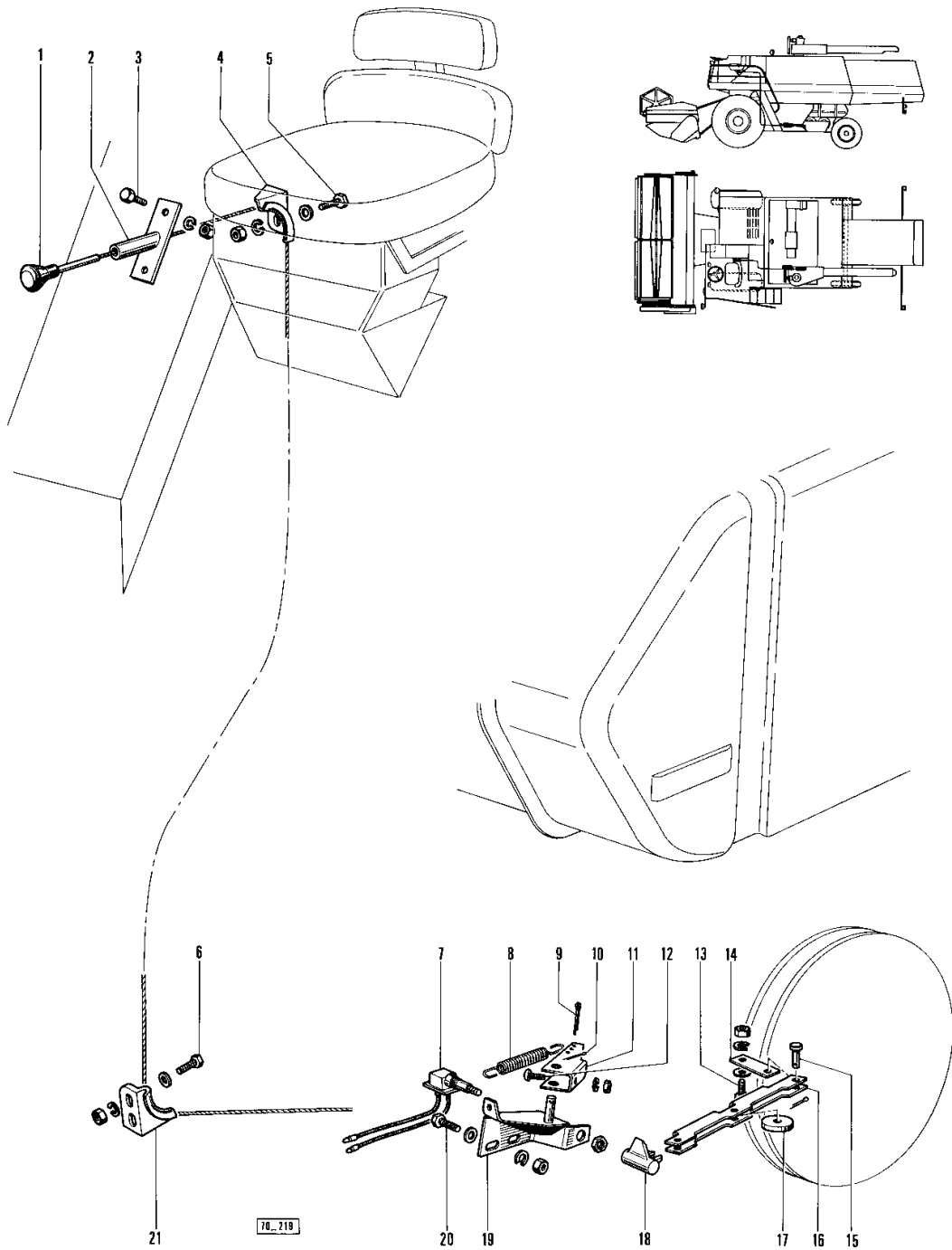
COMMANDE DE CONTROLE AUTOMATIQUE DE HAUTEUR DE COUPE
 AUTOMATISCH TISCHHOCHENNERSTELLUNG
 CONTROL AUTOMATICO DE ALTURA DE LA PLATAFORMA
 AUTOMATIC TABLE HEIGHT CONTROLS



AUTOMATIC TABLE HEIGHT CONTROL

Item	Part Number	Qty	Description
1	205612M1	1	Knob
2	619956M1	1	Stem
3	339303X1	1	Dowel
4	619949M91	1	Lever
5	658064M1	1	Spring
6	391260X1	1	Ball
7	619957M92	1	Sector
8	796095M91	1	Quadrant
9	353536X1	1	Screw Unf
	353434X1	1	Lock Washer
	353431X1	1	Nut Unf
10	796492M1	1	Spacer
11	353536X1	1	Screw Unf
	353434X1	1	Lock Washer
12	786414M91	1	Cable
13	354039X1	1	Cotter
14	796967M1	1	Pin
15	795641M1	1	Trunnion
16	354039X1	1	Cotter
17	796101M91	1	Plate
18	619960M92	1	Gate
19	796103M1	1	Screw
20	355618X1	1	Washer
21	239221M1	1	Washer
22	353516X1	1	Screw Unf
	353446X1	1	Lock Washer
	353916X1	1	Nut Unf
23	360567X1	1	Clip
24	783026M1	1	Adjuster
25	353429X1	2	Nut Unf
26	353516X1	1	Screw Unf
	353446X1	1	Lock Washer
	353916X1	1	Nut Unf
27	353919X1	1	Nut Unf
28	361291X1	1	Pin
29	359020X1	1	Pin
30	796788M1	1	Yoke
31	1615109M1	1	Bracket
32	353516X1	4	Screw Unf
	353446X1	4	Lock Washer
	353916X1	1	Nut Unf
33	353516X1	2	Screw Unf
	353446X1	2	Lock Washer
	353916X1	1	Nut Unf
34	795633M1	2	Clip
35	795637M1	1	Grommet
36	375092X1	1	Pin
37	795658M1	1	Collet
38	354043X1	1	Pin
39	375092X1	1	Pin
40	606963M92	1	Tube
41	795658M1	1	Collet
42	354043X1	1	Pin
43	354046X1	1	Pin
44	795604M1	1	Arm
45	353756X1	2	Washer
46	353517X1	1	Screw Unf
	353448X1	1	Screw
	353916X1	1	Nut Unf
47	792962M91	1	Lever
48	205612M1	1	Knob
49	795608M1	1	Spring
50	606961M1	1	Hook
51	617599M1	1	Catch
52	353502X1	1	Screw Unf
	353918X1	1	Nut Unf
	353441X1	1	Lock Washer
	353754X1	1	Washer

COMMANDE D'AVERTISSEUR DE BOURRAGE
 WARNANLAGE
 MANDO DE AVISADOR DE RELLENO
 WARNING SYSTEM

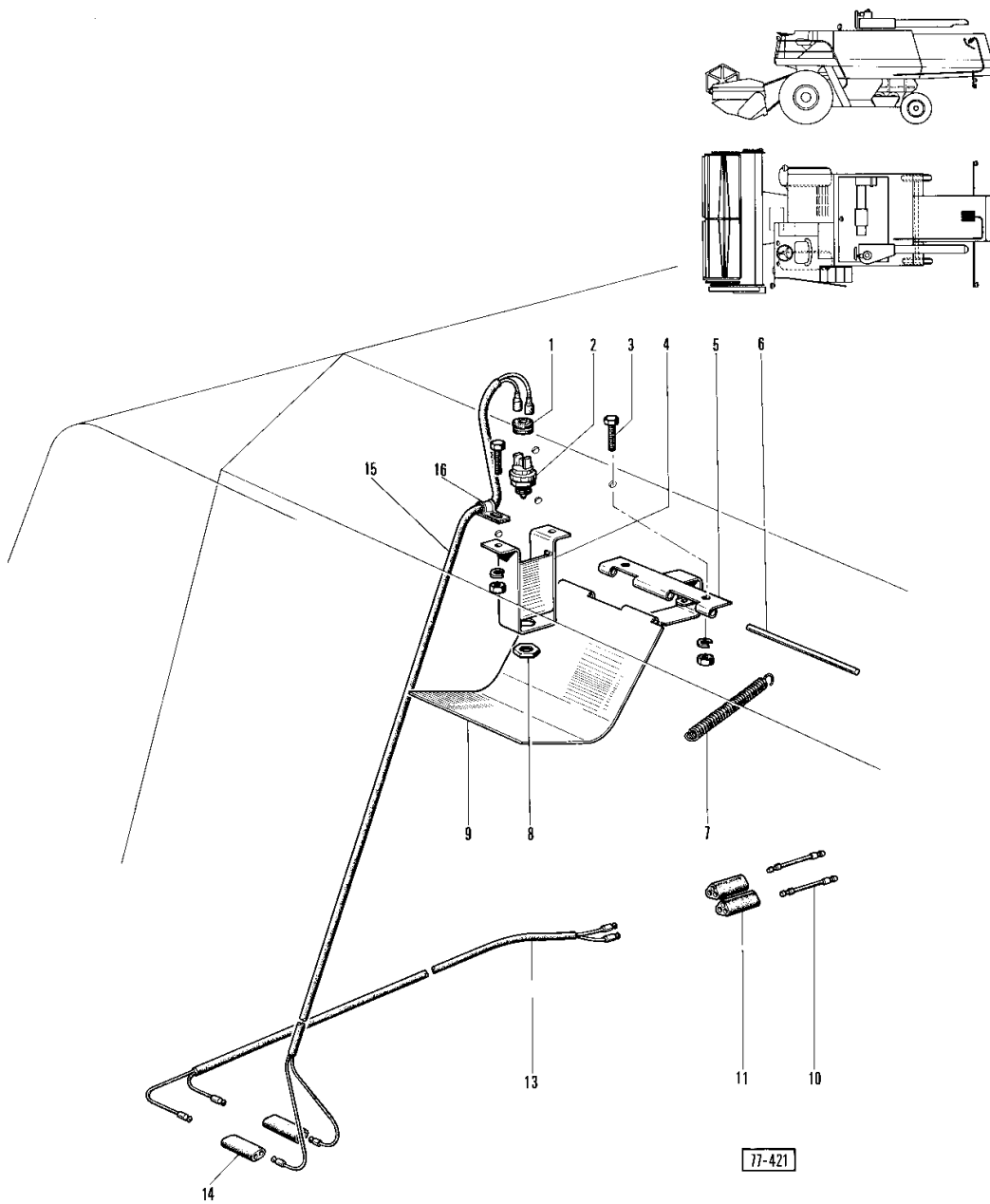


WARNING SYSTEM

Item	Part Number	Qty	Description
1	240760M1	1	Cable
2	912658M91	1	Guide
3	353501X1	2	Screw Unf
	353441X1	2	Lock Washer
	353918X1	2	Nut Unf
4	240764M1	1	Guide
5	353503X1	2	Screw Unf
	353754X1	2	Washer
	353441X1	2	Lock Washer
	353918X1	2	Nut Unf
6	353503X1	2	Screw Unf
	353754X1	2	Washer
	353441X1	2	Lock Washer
7	227681M3	1	Switch
8	598742M1	1	Spring
9	354061X1	1	Pin
10	354048X1	1	Pin
11	240771M1	1	Arm
12	353970X1	1	Screw Unc
	353441X1	1	Lock Washer
	355564X1	1	Nut Unc
13	353517X1	1	Screw Unf
	353755X1	1	Washer
	353446X1	1	Lock Washer
	353916X1	1	Nut Unf
	353916X1	1	Nut Unf
14	240770M1	1	Plate
15	832297M1	3	Clevis Pin
	354039X1	3	Cotter
16	240772M1	1	Lever
17	913971M1	1	Roller
18	240765M1	1	Fork
19	606935M91	1	Bearer
20	353516X1	2	Screw Unf
	353755X1	2	Washer
	353446X1	2	Lock Washer
	353916X1	2	Nut Unf
21	240764M1	1	Guide

196

AVERTISSEUR DE BOURRAGE	}	ALLEMAGNE
WARNHUPE		DEUTSCHLAND
AVISADOR DE RELLENO		ALEMANIA
WIRING ALARM		GERMANY



Imprimé en FRANCE

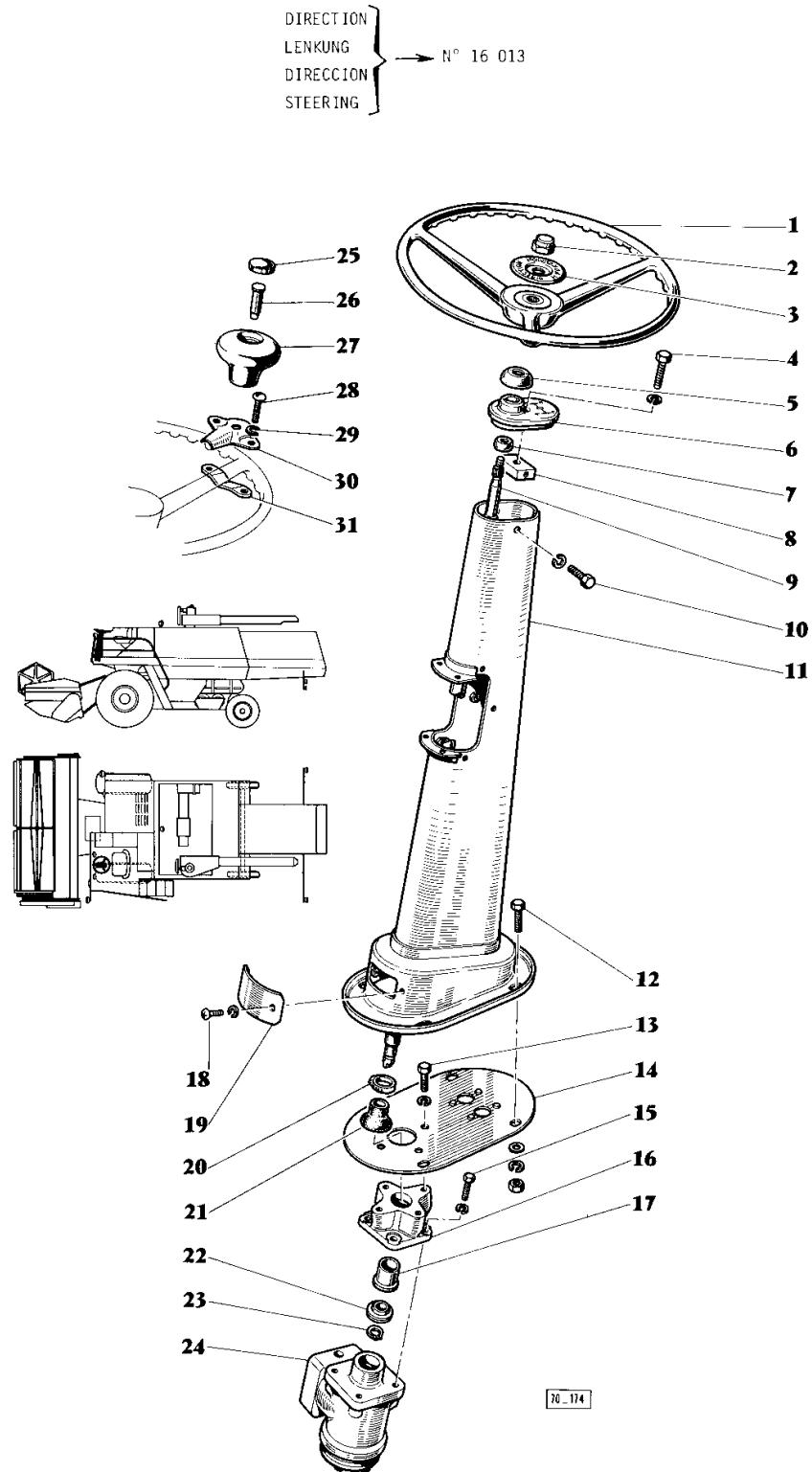
520 0

525 0

1646 022 M2 / 2) 5/77

WIRING ALARM - GERMANY

Item	Part Number	Qty	Description	Comments
				GERMANY
1	210280M1	1	Grommet	
2	1632796M1	1	Switch	
3	353516X1	4	Screw Unf	
	353755X1	2	Washer	
	353446X1	4	Lock Washer	
	353916X1	4	Nut Unf	
4	785921M91	1	Bracket	
5	785919M92	1	Hinge	
6	785708M1	1	Rod	
7	659842M1	1	Spring	
8	377057X1	1	Nut	
9	914782M91	1	Flap	
10	911857M1	2	Wire	
11	893012M1	2	Connector	
13	784468M91	1	Harness	
14	893012M1	2	Connector	
15	784464M91	1	Harness	
16	360031X1	1	Clip	



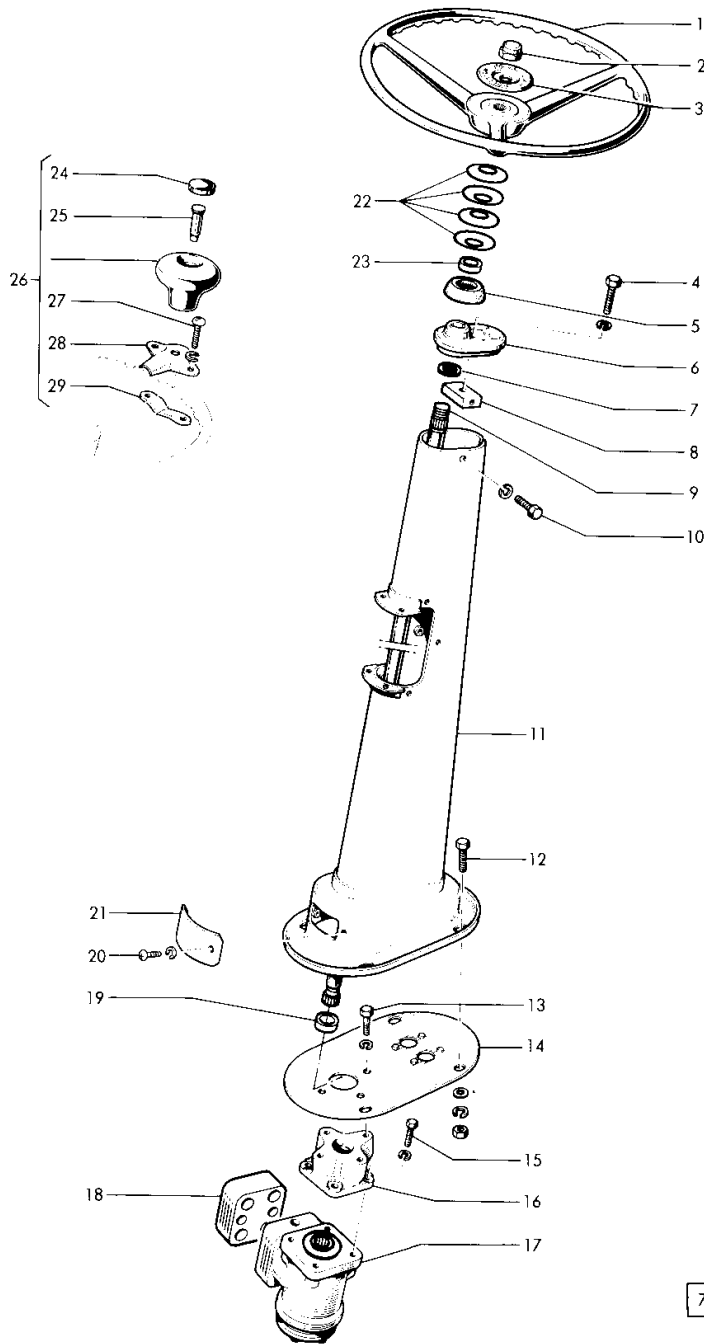
STEERING

Item	Part Number	Qty	Description	Comments
				Up to Serial or Engine Number 16013
1	220245M1	1	Wheel	
2	220895M1	1	Cap	
3	619378M1	1	Plate	
4	353681X1	1	Bolt Unc	
	353446X1	1	Lock Washer	
5	890124M2	1	Seal	
6	910867M2	1	Cover	
7	832273M1	1	Sleeve	
8	619274M1	1	Bar	
9	619622M1	1	Clevis Pin	
10	353676X1	2	Screw Unc	
	353446X1	2	Lock Washer	
11	619275M91	1	Column	
12	353517X1	3	Screw Unf	
	353918X1	1	Nut Unf	
	355618X1	4	Washer	
	22428X	4	Lock Washer	
	353916X1	4	Nut Unf	
13	339123X1	4	Screw Metric	
	339374X1	4	Lock Washer	
14	619278M91	1	Plate	
15	339401X1	4	Screw Metric	
	339376X1	4	Lock Washer	
16	619626M2	1	Bearer	
17	619624M1	1	Tube	
18	355124X1	2	Screw Unc	
	353445X1	2	Lock Washer	
19	230727M1	1	Cover	
20	1440857X1	1	Clamp	
21	619623M1	1	Protector	
22	619625M1	1	Toggle	
23	1440475X1	1	Circlip	
24	619627M1	1	Pressure Valve	(B)
25	211186M1	1	Plug	
26	211184M1	1	Pin	
27	211183M91	1	Knob	INCL. REF. 25,26,30
28	375394X1	2	Screw	
29	353445X1	2	Lock Washer	
30		1	Bracket	(A)
31	219087M1	1	Clamp	

(A)
Not serviced, order 211183M91
(B)
See Page - Reference Number 200

199-A

DIRECTION }
 LENKUNG }
 DIRECCION } N° 16 014 →
 STEERING }



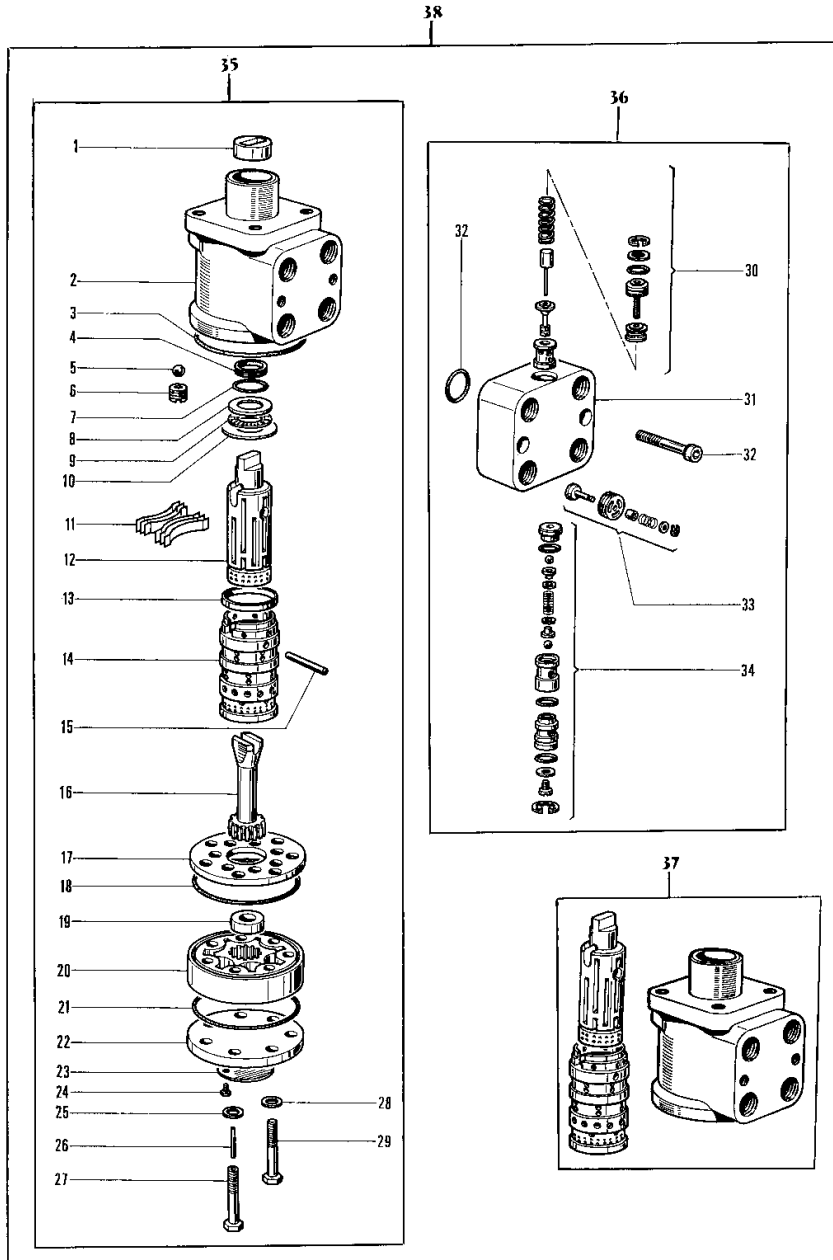
77-411

STEERING

Item	Part Number	Qty	Description	Comments
				From Serial or Engine Number 16014
1	220245M1	1	Wheel	
2	220895M1	1	Cap	
3	619378M1	1	Plate	
4	353681X1	1	Bolt Unc	
	353446X1	1	Lock Washer	
5	890124M2	1	Seal	
6	910867M2	1	Cover	
7	832273M1	1	Sleeve	
8	619274M1	1	Bar	
9	1616192M91	1	Column	
10	353676X1	2	Screw Unc	
	353446X1	2	Lock Washer	
11	619275M91	1	Column	
12	353517X1	3	Screw Unf	
	353518X1	1	Screw Unf	
	355618X1	4	Washer	
	22428X	4	Lock Washer	
	353916X1	4	Nut Unf	
13	339123X1	4	Screw Metric	
	339374X1	4	Lock Washer	
14	619278M91	1	Plate	
15	353691X1	4	Screw Unc	
	353434X1	4	Lock Washer	
16	619626M2	1	Bearer	
17	1611241M91	1	Gear	(A)
18	1604459M1	1	Safety Belt	(B)
19	1616707M1	1	Spacer	
20	355124X1	2	Screw Unc	
	353445X1	2	Lock Washer	
21	230727M1	1	Cover	
22	1616717M1	4	Washer	
23	1616716M1	1	Spacer	
24	211186M1	1	Plug	
25	211184M1	1	Pin	
26	211183M21	1	Handle	
27	375394X1	2	Screw	
	353445X1	2	Lock Washer	
28		1	Bracket	(C)
29	219087M1	1	Clamp	

(A)
See Page - Reference Number 201B
(B)
See Page - Reference Number 201C
(C)
Not serviced, order 211183M21

DISTRIBUTEUR DE DIRECTION
 HYDRASTATISCHES STEUERGERAT
 BOMBA HIDROSTATICA DE LA DIRECCION
 HYDROSTATIC STEERING PUMP } → N° 16013

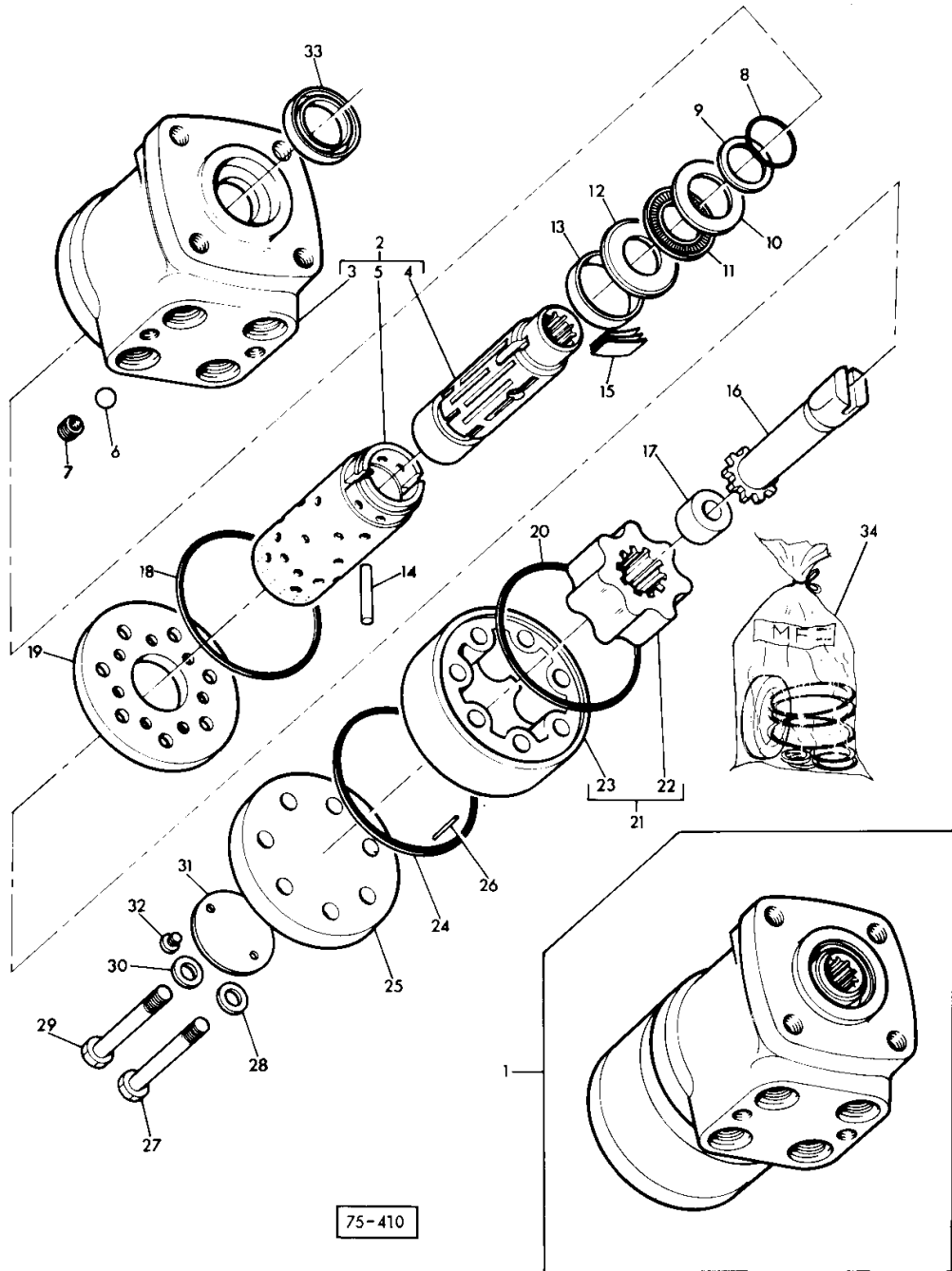


73-284

HYDROSTATIC STEERING

Item	Part Number	Qty	Description	Comments
				Up to Serial or Engine Number 16013
1	1806306M1	1	Coupling	
2	1806412M91	1	Pump	Not serviced, order 37
3	1806314M1	1	Seal	
4	1806414M1	1	Seal	
5	1806311M1	1	Ball	
6	1806313M1	1	Seat	
7	1806413M1	1	Gasket	
8	1806307M1	1	Washer	
9	1806308M1	1	Bearing Assy	
10	1806309M1	1	Washer	
11	1806305M1	6	Spring	
12		1		Not serviced, order 37
13	1806303M1	1	Bush	
14		1		Not serviced, order 37
15	1806310M1	1	Pin	
16	1806416M1	1	Shaft	
17	1806319M1	1	Plate	
18	1806315M1	1	Seal	
19	1806415M1	1	Spacer	
20	1806324M1	1	Gear	
21	1806315M1	1	Seal	
22	1806316M1	1	Cap	
23	1806325M1	1	Plate	
24	1806318M1	2	Screw	
25	1806317M1	1	Washer	
26	1806312M1	1	Pin	
27	1806320M1	1	Screw	
28	1806317M1	6	Washer	
29	1806321M1	6	Screw	
30	1806329M1	1	Valve	
31		1		Not serviced, order 36
	1806331M1	1	Block	
32	1806332M1	1	Kit, Repair	
33	1806328M1	1	Valve	
34	1806330M1	1	Valve	
35	1806412M91	1	Pump	
36	1806327M91	1	Block	
37	1806322M1	1	Housing	
38	619627M1	1	Pressure Valve	

DISTRIBUTEUR DE DIRECTION
 LENKUNVENTIL
 BOMBA HIDROSTATICA DE LA DIRECCION
 HYDROSTATIC STEERING PUMP } N ° 16 014 →



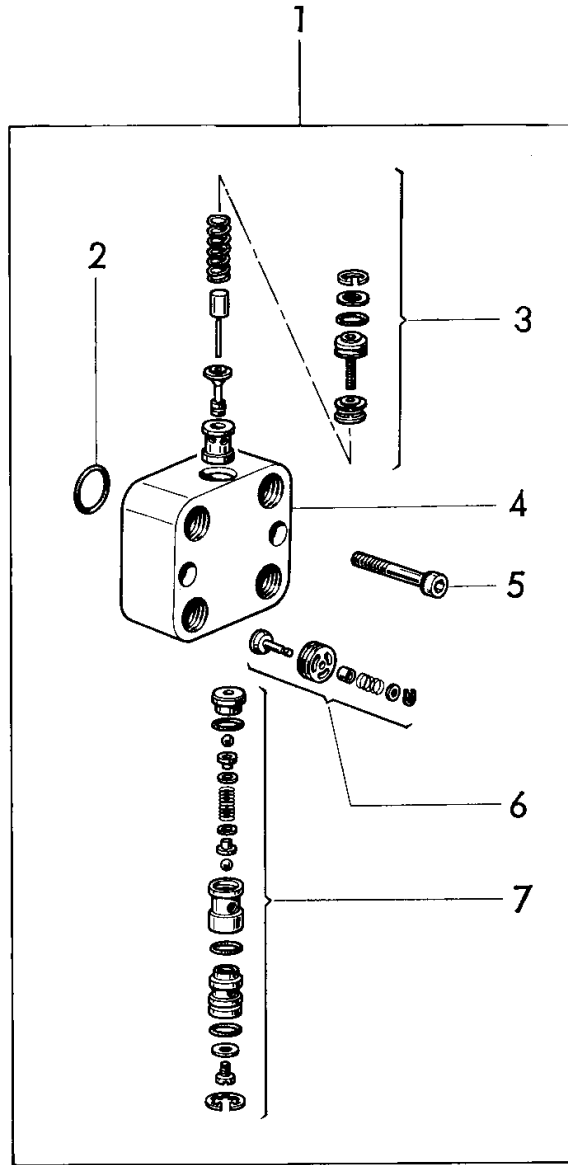
HYDROSTATIC STEERING PUMP

Item	Part Number	Qty	Description	Comments
				From Serial or Engine Number 16014
1	1611241M91	1	Gear	
2	1887731M91	1	Housing	
3		1	Housing	
4		1	Spool	
5		1	Sleeve	
6	1806311M1	1	Ball	
7	1806313M1	1	Seat	
8	1887717M1	1	Seal	
9	1887718M1	1	Seal	
10	1887720M1	1	Washer	
11	1887721M1	1	Bearing	
12	1887722M1	1	Race	
13	1806303M1	1	Bush	
14	1806310M1	1	Pin	
15	1806305M1	1	Spring	
16	1806416M1	1	Shaft	
17	1889732M1	1	Spacer	
18	1806314M1	1	Seal	
19	1806319M1	1	Plate	
20	1806315M1	1	Seal	
21	1889733M91	1	Kit, Gear	
22				(A)
23				(A)
24	1806315M1	1	Seal	
25	1806316M1	1	Cap	
26	1806312M1	1	Pin	
27	1806320M1	1	Screw	
28	1806317M1	1	Washer	
29	1806321M1	6	Screw	
30	1806317M1	6	Washer	
31	1889734M1	1	Plate	
32	1806318M1	2	Screw	
33	1887719M1	1	Seal	
34	1810503M91	1	Kit, Repair	
				(A)
				Not serviced, order 1889733M91

201-C

BLOC DE SECURITE
SICHERHEITBLOCK
BLOQUE DE SEGURIDAD
SAFETY BLOCK

} N° 16 014 →

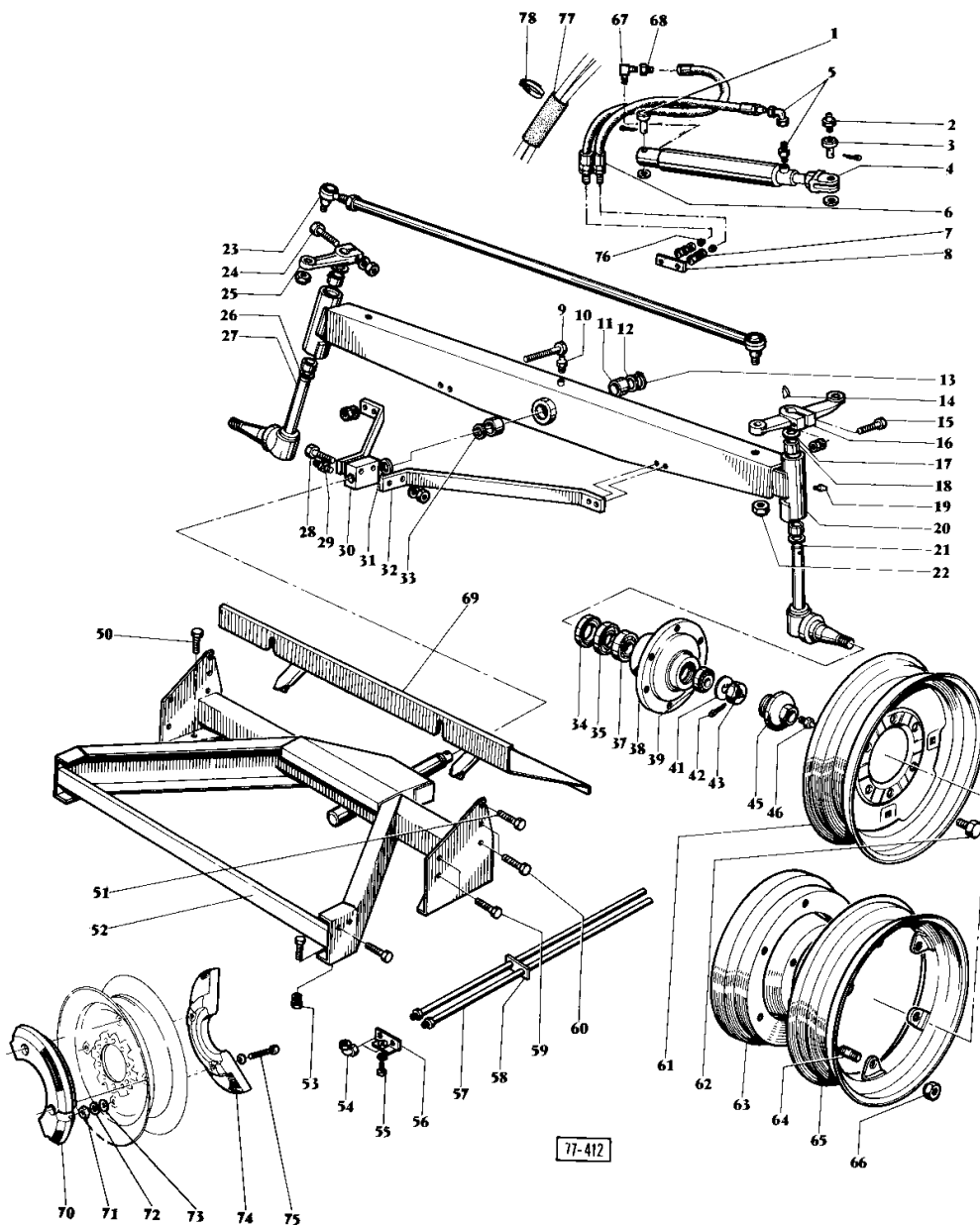


76-173

SAFETY BLOCK

Item	Part Number	Qty	Description	Comments
				From Serial or Engine Number 16014
1	1604459M1	1	Block	
2	1806332M1	1	Kit, Repair	
3	1806329M1	1	Valve	
4		1	Body	(A)
5	1806332M1	1	Kit, Repair	
6	1806328M1	1	Valve	
7	1806330M1	1	Valve	(A)
				Not serviced, order 1806332M1

ESSIEU ET ROUES ARRIERES
 HINTERACHSE UND RAEDER
 EJE Y RUEDA TRASERA
 REAR AXLE AND WHEELS



REAR AXLE AND WHEELS

Item	Part Number	Qty	Description	Comments
1	1441070X1	1	Pin	
	339328X1	1	Washer	
	339133X1	1	Pin	
2	339003X1	1	Greaser	
3	619808M1	1	Clevis Pin	
	339328X1	1	Washer	
	339133X1	1	Pin	
4	1748044M93	1	Cylinder	(A)
5	1442337X1	1	Union	
	1442376X1	1	Union	
6	606950M2	2	Hydr Hose	
	1615306M91	2	Hose	INCL. REF. 67
7	338708X1	1	Union	
8	619620M1	1	Dowel	
9	353643X1	4	Bolt Unf	
	353760X1	4	Flat Washers	(H)
	353433X1	4	Lock Washer	
	353427X1	4	Nut Unf	
10	13811X	1	Grease Nipple	
11	912011M1	2	Bush	
12	912012M1	X	Washer	0.02"
	912013M1	X	Washer	0.04"
	912014M1	X	Washer	0.08"
13	339470X1	1	Circlip	
14	350355X1	2	Woodruff Key	
15	353625X1	1	Bolt Unf	
	353433X1	1	Lock Washer	
	353427X1	1	Nut Unf	
16	912213M1	1	Lever	
17	183021M2	2	Seal	
18	964142M1	4	Bush	
19	13811X	2	Grease Nipple	
20	912010M93	1	Axle	
	1828778M92	1	Axle	(H)
21	617520M92	1	Spindle	
22	898107M1	2	Nut	(G)
	195262M1	2	Nut	
23	912204M91	1	Bar	
24	353625X1	1	Bolt Unf	
	353433X1	1	Lock Washer	
	353427X1	1	Nut Unf	
25	912214M1	1	Lever	
26	513800M1	2	Washer	
27	617521M92	1	Spindle	
28	353647X1	2	Bolt Unf	(E)
	353433X1	2	Lock Washer	(E)
	353427X1	2	Nut Unf	(E)
39	365572X1	1	Nipple	
30	912018M1	1	Block	
31	912012M1	X	Washer	0.02"
	912013M1	X	Washer	0.04"
	912014M1	X	Washer	0.08"
32	911769M1	2	Reinforcement	
33	338605X1	1	Spacer	
34	898350M1	2	Shield	(B)
	897617M1	2	Dust Shield	(C)
	898350M1	2	Shield	(F)
35	897702M1	2	Seal	
	897702M1	2	Seal	(F)
37	1851800M91	2	Bearing Assy	
	701114M1	2	Cone	(F-D)
	195123M1	2	Cone	(F-D)
38	898346M92	2	Hub	(B)
39	1851799M91	2	Bearing	
	354370X1	2	Cone	(F)
41	881384M1	2	Washer	
	881384M1	2	Washer	(F)
42	354072X1	2	Pin	
43	882263M1	2	Nut Special	(D)
45	893979M91	2	Cap	INCL. REF. 46

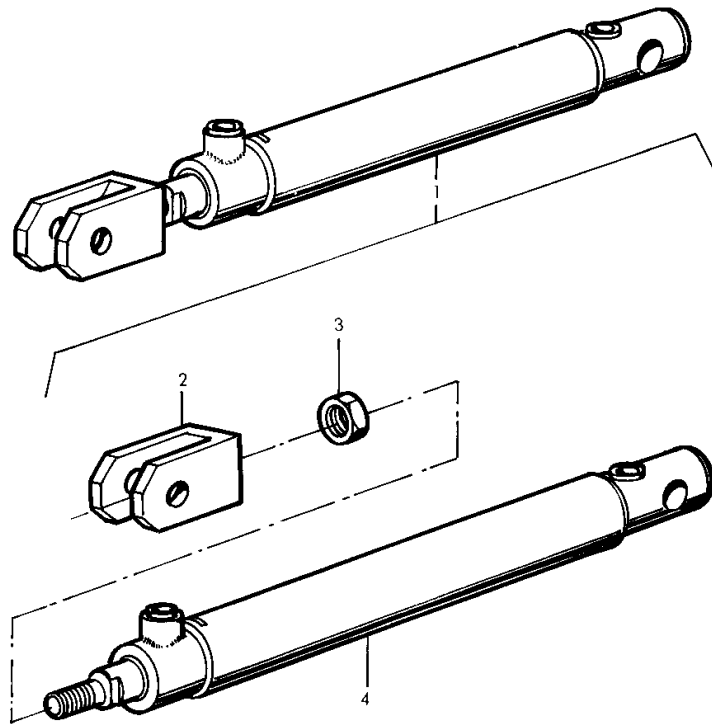
REAR AXLE AND WHEELS

Item	Part Number	Qty	Description	Comments
	882636M91	2	Cap	INCL. REF. 46 (F)
46	13811X	2	Grease Nipple	
50	353521X1	6	Bolt Unf	
	338688X1	6	Washer	
	353916X1	6	Nut Unf	
51	353521X1	2	Bolt Unf	
	338688X1	2	Washer	
	353916X1	2	Nut Unf	
52	911771M93	1	Frame	
53	353519X1	7	Screw Unf	
	353517X1	1	Screw Unf	
	339688X1	8	Seal	
	353916X1	8	Nut Unf	
54	1442336X1	2	Nut	
	338729X1	2	Union	
	339617X1	2	Nut Metric	
55	339124X1	1	Screw Metric	
	339374X1	1	Lock Washer	
56	619619M91	1	Plate	
57	619611M1	2	Tube	(K)
	1615729M91	2	Pipe	(L)
58	619807M1	2	Plate	
59	353519X1	4	Screw Unf	
	338688X1	4	Washer	
	353916X1	4	Nut Unf	
60	353560X1	4	Screw Unf	
	338687X1	4	Washer	
	353426X1	4	Nut Unf	
61	789815M1	2	Rim	8X16
62	906863M1	12	Bolt	(B)
63	906697M2	2	Hub	INCL. REF. 64 (C-F)
	897607M92	2	Hub	INCL. REF. 64 (C-J)
	354369X1	1	Race	(F)
	17201X	1	Cup	(F)
64	908111M1	12	Stud	5,50 X 18 (F)
65	619546M91	2	Rim	(C)
	606931M91	2	Rim	5,50 X 18 (F)
	917405M91	2	Wheel	(H)
66	184273M1	12	Nut	(C)
	195490M1	12	Nut	(B)
67	338715X1	1	Union	
68	338718X1	1	Coupling	
	338764X1	1	Seal	
69	617914M91	1	Deflector	
70	790668M2	4	Weight	(G)
71	353437X1	8	Nut Unf	(G)
72	353439X1	8	Lock Washer	(G)
73	353773X1	16	Washer	(G)
74	904142M2	4	Weight	(G)
75	1615127M1	8	Bolt	(G)
76	339994X1	4	Olive	
77	609630M1	1	Sheath	(G)
78	609631M1	2	Clamp	(G)
				(A)
				See Page - Reference Number 207
				(B)
				STEEL HUB
				(C)
				CAST IRON HUB
				(D)
				Alternative
				(E)
				EXCEPT GERMANY
				(F)
				RIM 5,50 X 18

REAR AXLE AND WHEELS

Item	Part Number	Qty	Description	Comments
				(G)
				GERMANY
				(H)
				SPAIN
				(J)
				RIM 5,50 X 16
				(K)
				Up to Serial or Engine Number 1978
				(L)
				From Serial or Engine Number 1979

VERIN	}	1748 044 M92	
HYDRAULIKZYLINDER			
CILINDRO IDRAULICO			1748 044 M93
RAM			



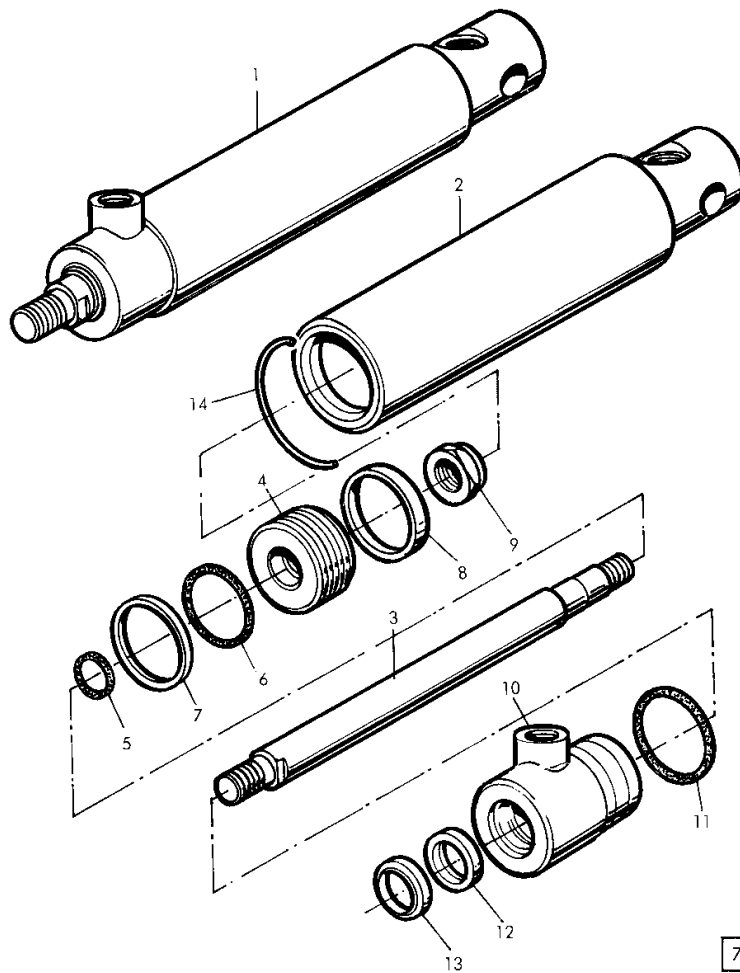
76-111

RAM - 1748044M92

Item	Part Number	Qty	Description	Comments
				1748044M92
				1748044M93
1	1748044M92	1	Ram	INCL. REF. 2-4 (B)
	1748044M93	1	Ram	INCL. REF. 2-4
2	1748051M1	1	Yoke	(C)
3	339617X1	1	Nut Metric	(C, D)
4	1748177M91	1	Ram	(A, C)
	1748177M92	1	Ram	(A, D)
				(A)
				SEE PAGE 207A
				(B)
				IN CASE OF REQUIREMENT OF COMPLETE RAMS ORDER 1748044M93. COMPL.
				RAMS ARE INTERCHANGEABLE
				(C)
				1748044M92
				(D)
				1748044M93

207 A

VERIN }
HYDRAULIKZYLINDER } 1748 177 1191
CILINDRO IDRAULICO } 1748 177 1192
RAM

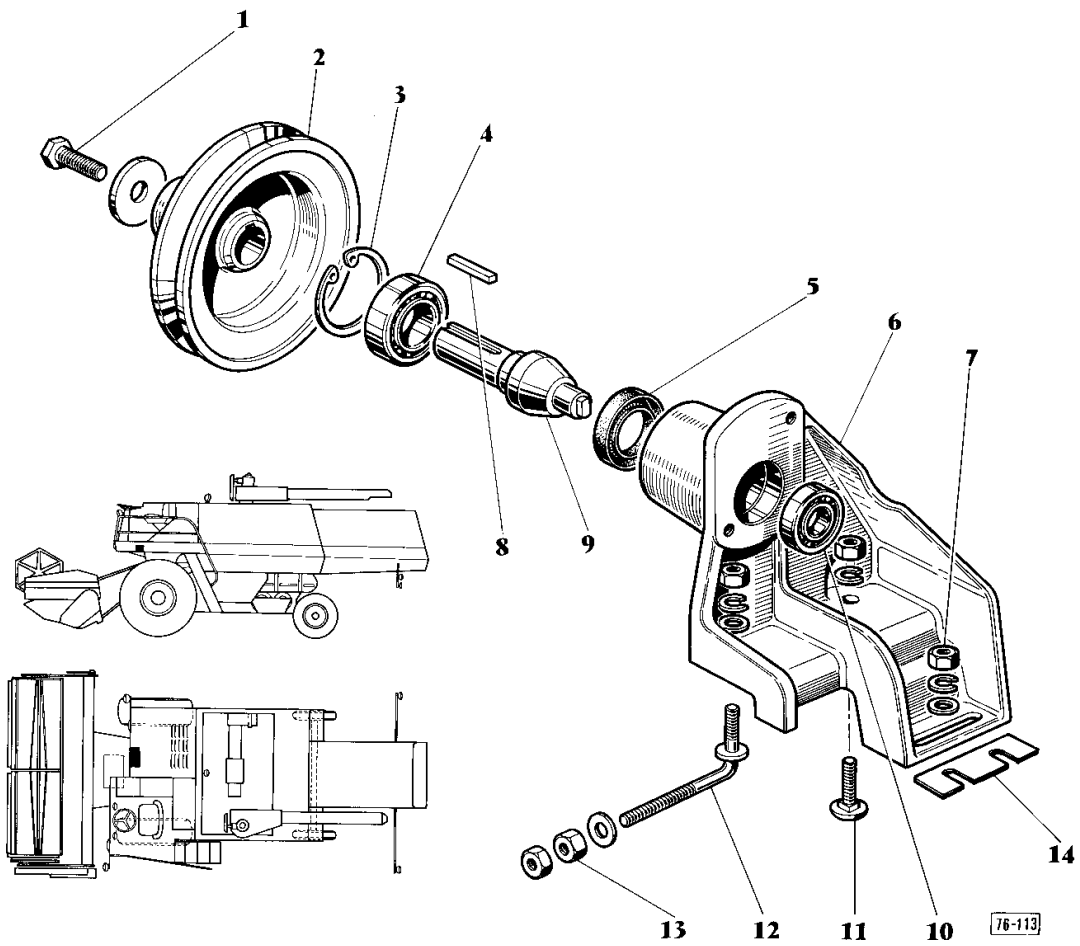


RAM - 1748177M91

Item	Part Number	Qty	Description	Comments
				1748177M91
				1748177M92
1	1748177M91	1	Ram	INCL. REF. 2-14 (A, B)
	1748177M92	1	Ram	INCL. REF. 2-14 (C)
2	1748045M91	1	Ram	(B, C)
3	1748049M3	1	Rod	(B)
	1748301M1	1	Rod	(C)
4	1748238M1	1	Piston	(B)
	1606841M1	1	Piston	(C)
5	1442712X1	2	Seal	(B)
	1442712X1	1	Seal	(C)
6	365583X1	1	O Ring	(C)
7	1748155M1	1	Ring	(B)
	1606842M1	1	Ring	(C)
8	1748156M1	1	Ring	(B)
	1606843M1	1	Ring	(C)
9	1442275X1	1	Nut Metric	(B, C)
10	1748048M1	1	Guide	(B)
			Bush	
	1748302M1	1	Bush	(C)
11	1442710X1	1	Seal	(B, C)
12	1748054M1	1	Washer	(B)
	1748236M1	1	Seal	(C)
13	1442082X1	1	Seal	(B, C)
14	1748053M1	1	Wire	(B, C)

(A)
IN CASE OF REQUIREMENT OF COMPLETE RAMS ORDER 1748177M92.
COMPLETE RAMS ARE INTERCHANGEABLE.
REQUIREMEN
(B)
1748177M91
(C)
1748177M92

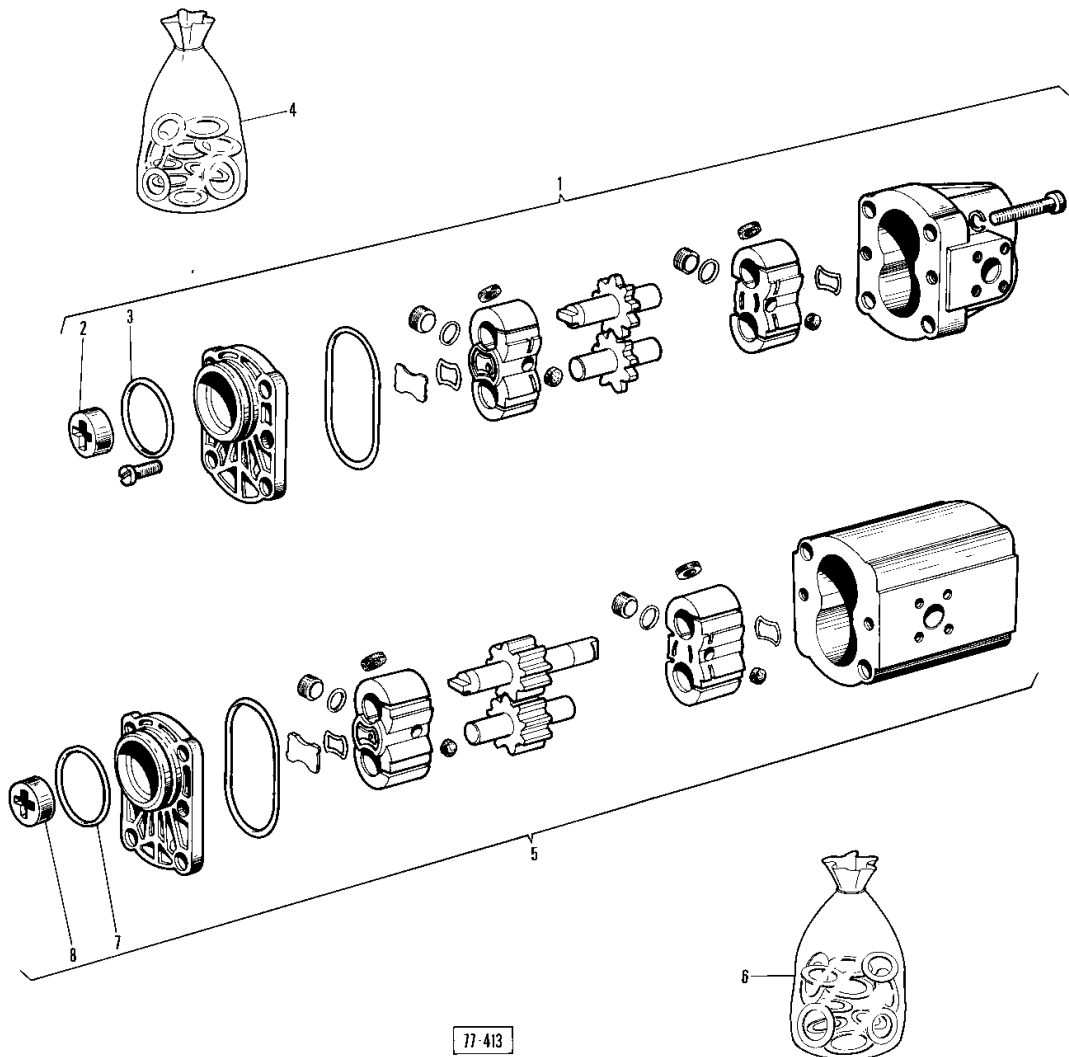
COMMANDE DE POMPE HYDRAULIQUE
HYDRAULIKPUMPEANTRIEB
MANDO DE LA BOMBA HYDRAULICA
HYDRAULIC PUMP CONTROL



HYDRAULIC PUMP

Item	Part Number	Qty	Description	Comments
1	338493X1	1	Screw	
	918455M2	1	Washer	
2	619599M1	1	Pulley	
3	22289X	1	Circlip	
4	339583X1	1	Bearing Assy	
5	1441518X1	1	Nut Metric	
6	619597M1	1	Bearer	
	619596M91	1	Bearer	INCL. REF. 1 TO 6, 8 TO 10
7	353426X1	2	Nut Unf	
	353432X1	2	Lock Washer	
	353757X1	2	Washer	
8	659657M1	1	Key	
9	619598M1	1	Shaft	
10	1440506X1	1	Bearing Ball	
11	364900X1	1	Screw	
	353432X1	1	Lock Washer	
	355645X1	1	Nut Unc	
12	913814M91	1	Stem	
13	353428X1	1	Nut Unf	
	353757X1	1	Washer	
	353426X1	1	Nut Unf	
14	910432M1	X	Shim	
	910443M1	X	Shim	
	910434M1	X	Shim	

POMPE HYDRAULIQUE }
 HYDRAULIKPUMPE } 619 601 M91
 BOMBA HYDRAULICA }
 HYDRAULIC PUMP }



MASSEY FERGUSON
MF 520/525 COMBINES - 1646022

1646022

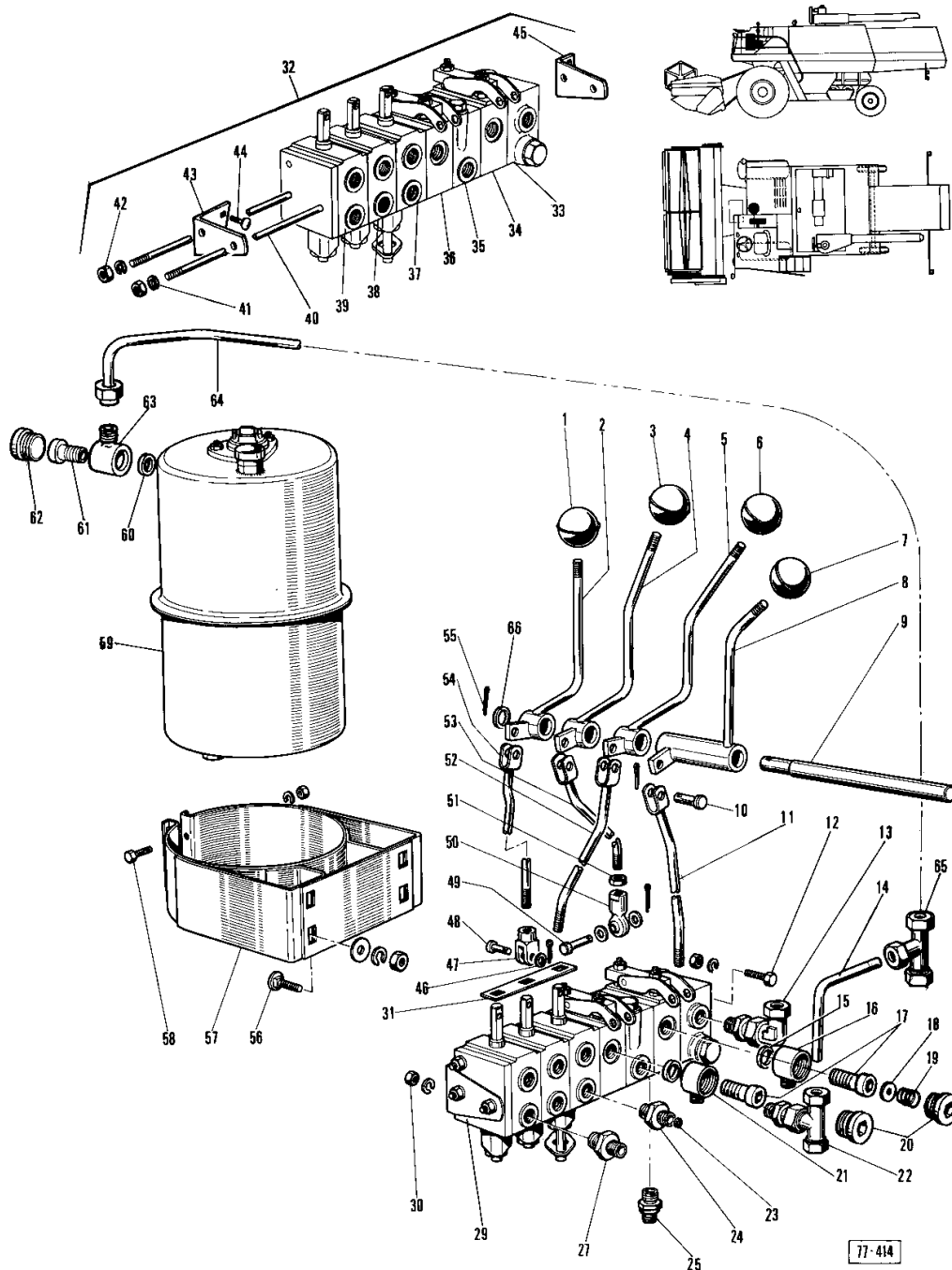
211

HYDRAULIC PUMP - 619601M91

Item	Part Number	Qty	Description	Comments
	619601M91	1	Pump	619601M91 INCL. REF. 1,5
1	1806928M91	1	Pump	
2	1717476M1	1	Driving	
3	1717442M1	1	Gasket	
4	1635892M91	1	Gasket	
5	1806927M91	1	Pump	
6	1635893M91	1	Gasket	
7	1717442M1	1	Gasket	
8	1717476M1	1	Driving	

212

RESERVOIR ET CENTRALE HYDRAULIQUE
 OELBEHAELTER UND HYDRAULISTEUERGERAET
 DEPOSITO VALVULAS DE CONTROL HYDRAULICO
 TANK AND CONTROL VALVE



TANK AND CONTROL VALVE

Item	Part Number	Qty	Description	Comments
1	963781M1	1	Knob	
2	619719M91	1	Lever	
3	963781M1	1	Knob	
4	619720M91	1	Lever	
5	619721M91	1	Lever	
6	963781M1	1	Knob	
7	963781M1	1	Knob	
8	619722M91	1	Lever	
9	606989M1	1	Clevis Pin	
10	195233M1	5	Pin	
	354057X1	5	Pin	
11	619727M91	1	Stem	
12	339124X1	2	Screw Metric	
	1440313X1	2	Washer	
	353755X1	2	Washer	
	339169X1	2	Nut Metric	
13	1442371X1	1	Union	
14	1615717M91	1	Hose	
15	338706X1	2	Washer	
16	338735X1	1	Connection	
17	338705X1	2	Bolt	
18	619695M1	1	Restrictor	
19	619696M1	1	Spring	
20	338704X1	2	Plug	
21	338703X1	1	Union	
22	619694M2	1	Union	
23	617625M2	2	Washer	
24	917033M91	2	Union	
	917068M91	2	Union	
25	338720X1	2	Union	
	338764X1	2	Seal	
27	1616354M91	1	Union	
29	619692M95	1	Valve	INCL. REF. 13-15 AND 28-31-32
30	1440313X1	2	Washer	
	339169X1	2	Nut Metric	
31	619701M1	1	Plate	
32	619661M3	1	Distributor	INCL. REF. 33 TO 45
33	1807035M91	1	Distributor	(E)
34	1807015M92	1	Distributor	(D)
35	1806973M92	1	Body	(G)
36	1807014M92	1	Distributor	(D)
37	1806958M92	1	Distributor	(F)
38	1806957M92	1	Distributor	(F)
39	1630992M92	1	Distributor	(F)
40	1635939M91	2	Stud	
41	339374X1	4	Lock Washer	
42	1635940M1	4	Nut	
43	1635943M1	1	Angle	
44	1635941M1	2	Screw	
45	1635942M1	1	Angle	
46		3	Washer	(A)
47	619729M1	3	Clevis	INCL. REF. 46-48
48		3	Pin	(A)
49	832813M1	2	Clevis Pin	
	619730M1	4	Washer	
	353756X1	X	Washer	
	353771X1	X	Washer	
	354057X1	2	Pin	
50	833121M1	2	Bearing	
51	353430X1	2	Nut Unf	
52	619726M91	1	Stem	
53	619725M91	1	Stem	
54	619724M91	1	Stem	
55	390448X1	1	Pin	
56	353806X1	4	Bolt Unf	
	353756X1	4	Washer	
	353434X1	4	Lock Washer	
	353431X1	4	Nut Unf	
57	619628M91	1	Clamp	

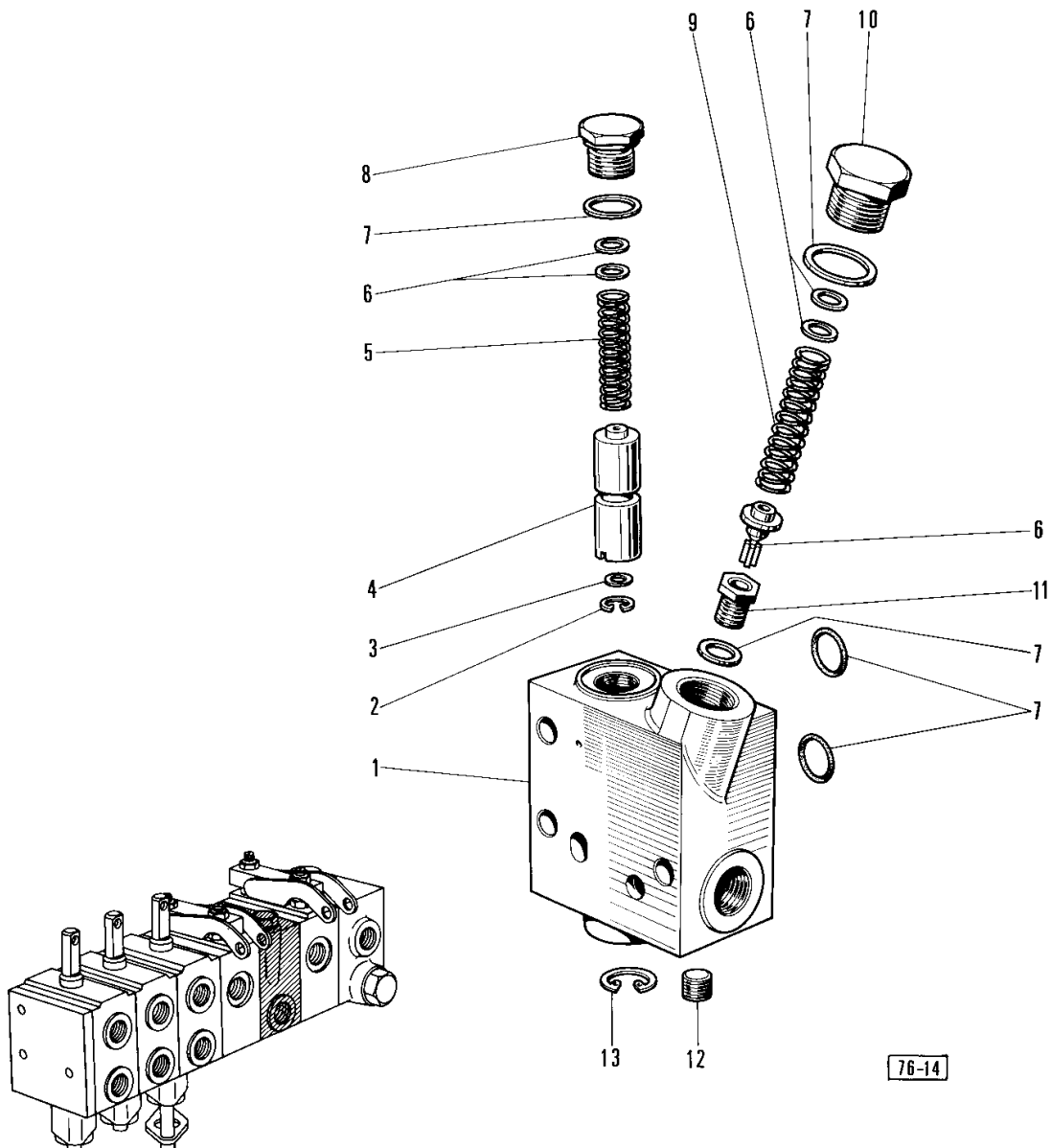
TANK AND CONTROL VALVE

Item	Part Number	Qty	Description	Comments
58	353542X1	2	Bolt Unf	
	353434X1	2	Lock Washer	
	353431X1	2	Nut Unf	
59	619633M1	1	Reservoir	(B)
	1615145M91	1	Tank	(C)
60	338706X1	1	Washer	
61	338705X1	1	Bolt	
62	338704X1	1	Plug	
63	338735X1	1	Connection	
64	1615716M91	1	Hose	
	391101X1	2	Olive	
	391097X1	2	Nut Metric	
65	338731X1	1	Union	
66	353761X1	1	Washer	

(A)
Not serviced, order 47
(B)
DETAIL PAGE 224
(C)
DETAIL PAGE 227
(D)
DETAIL PAGE 224
(E)
DETAIL PAGE 220
(F)
DETAIL PAGE 219
(G)
DETAIL PAGE 216

216

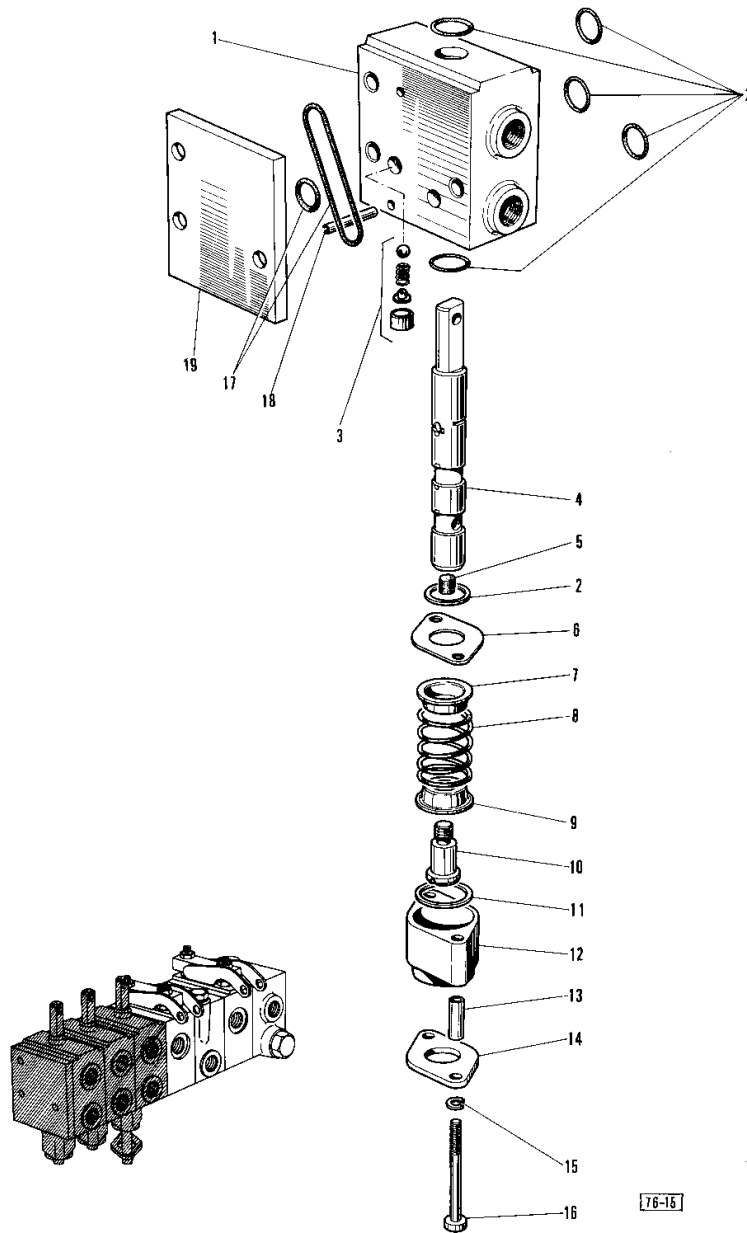
DISTRIBUTEUR }
 VENTIL } 1 806 973 M91
 VALVULA }
 VALVE }



VALVES - 1806973M91

Item	Part Number	Qty	Description	Comments
				1806973M91
1	1806973M91	1	Distributor	INCL. REF. 5-6-7-9-11
2		1	Circlip	(A)
3		1	Washer	(A)
4		1	Shaft	(A)
5	1806987M1	1	Spring	
6	1635874M91	1	Parts Pack	
7	1635873M91	1	Gasket	
	1635876M91	1	Kit, Joint	
8		1	Plug	(A)
9	1717363M1	1	Spring	
10		1	Plug	(A)
11	1806977M1	1	Stub	
12		1	Plug	(A)
13		1	Circlip	(A)
				(A)
				Not serviced, order 1635873M91, 1635874M91, 1635876M91

DISTRIBUTEUR	}	1 630 992 M92
VENTIL		1 806 957 M92
VALVULA		1 806 958 M92
VALVE		

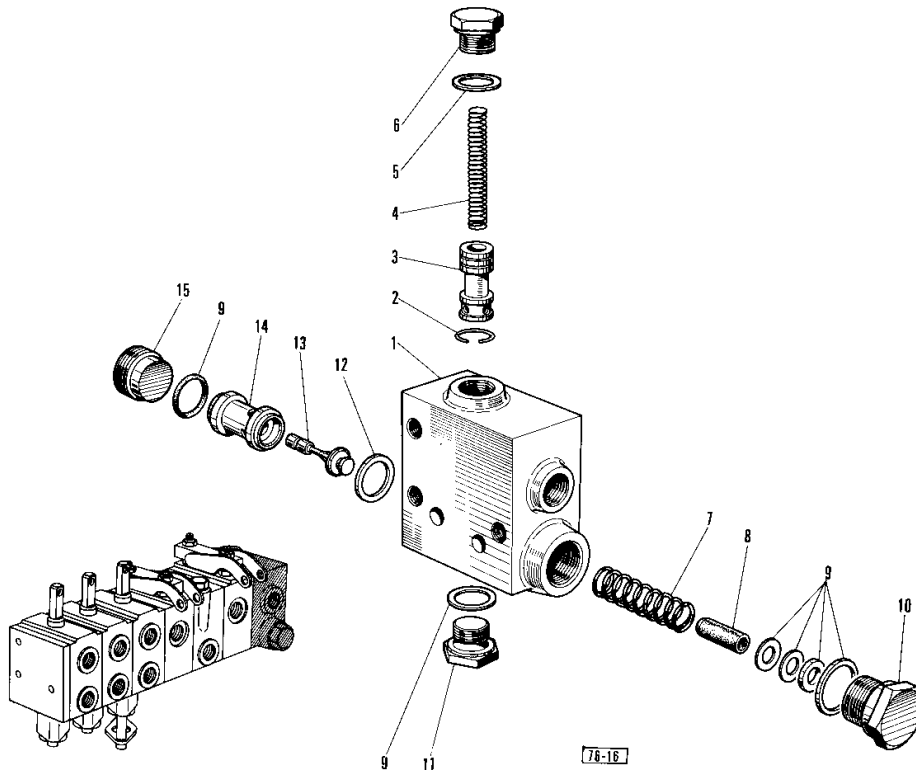


VALVES - 1630992M92

Item	Part Number	Qty	Description	Comments
				1630992M92
				1806957M92
				1806958M92
1	630992M92	1	Valve	(1630992M92) INCL. REF. 2-3-8-11
	1806957M92	1	Distributor	(1806957M92) INCL. REF. 2-3-8-11
	1806958M92	1	Distributor	(1806958M92) INCL. REF. 2-3-8-11
2	1635875M91	X	Gasket	
3	1635879M91	X	Valve	
	1635878M91	X	Gasket	
4		1	Shaft	(A)
5		1	Plug	(A)
6		1	Plate	(A)
7		1	Cup	(A)
8	1717453M1	1	Spring	
9		1	Cup	(A)
10		1	Screw	(A)
11	1717452M1	1	Shim	
12		1	Capsule	(A)
13		2	Sleeve	(1806958M92) (A)
14		1	Plate	(1806958M92) (A)
15		2	Lock Washer	(A)
16		2	Screw	(A)
17	1635876M91	X	Kit, Joint	
18		1	Pin	(A)
19	1806953M91	1	Plate	(1630992M92) (A) Not serviced, order 1635875M91 Not serviced, order 1635876M91 Not serviced, order 1635878M91 Not serviced, order 1635879M91

220

DISTRIBUTOR }
VENTIL }
VALVULA }
VALVE } 1 807 035 M91

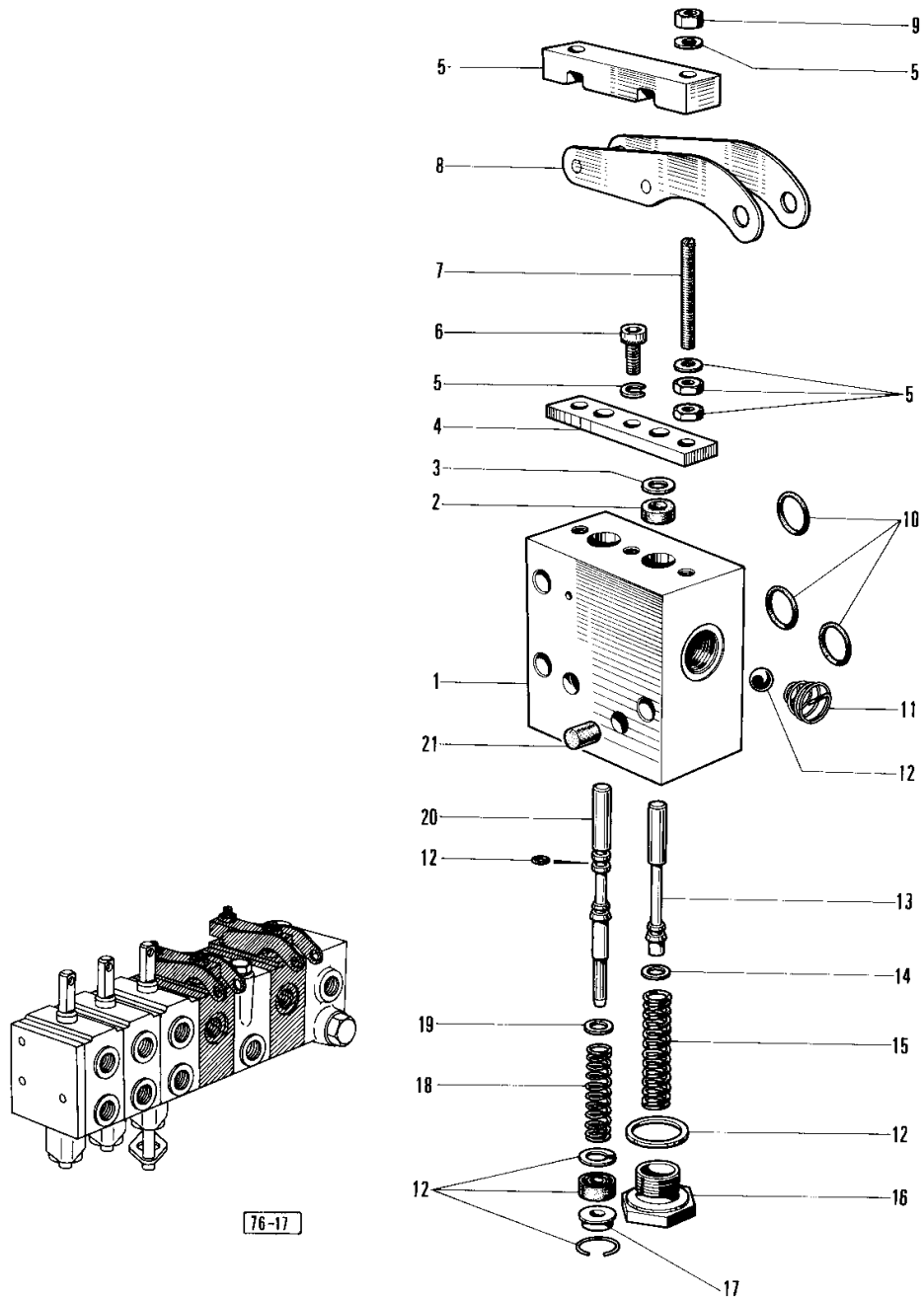


VALVES - 1807035M91

Item	Part Number	Qty	Description	Comments
				1807035M91
1	1807035M91	1	Distributor	INCL. REF. 4-7-9-14
2		1	Circlip	(A)
3		1	Poppet	(A)
4	1807044M1	1	Spring	
5			Seal	(A)
6		1	Plug	(A)
7	1807039M1	1	Spring	
8		1	Tube	(A)
9	1635872M91	1	Kit, Gasket	
10		1	Plug	(A)
11		1	Plug	(A)
12		1	Seal	(A)
13		1	Poppet	(A)
14	1807036M1	1	Valve	
15		1	Seal	(A)
				(A)
				Not serviced, order 1635872M91

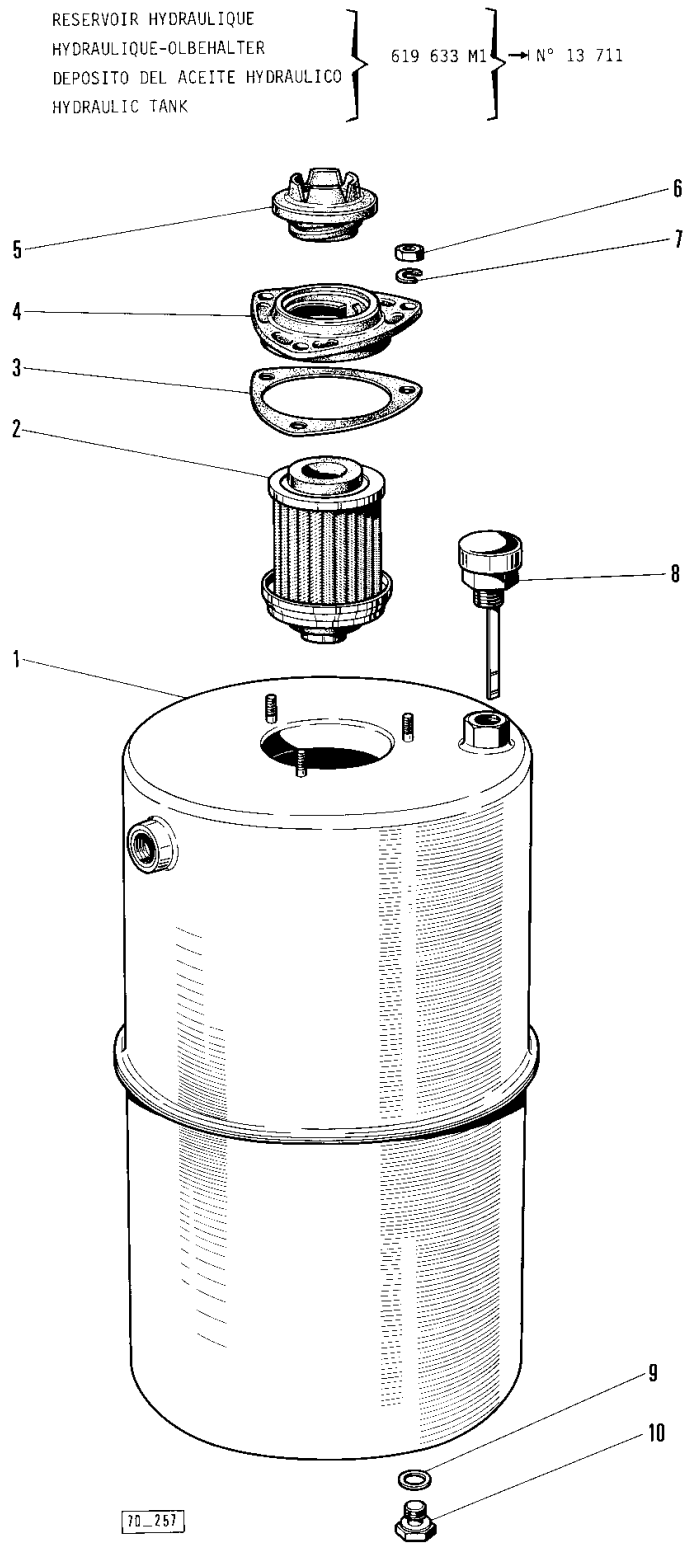
REF	N° PIECE	Qté
-----	----------	-----

DISTRIBUTEUR	}	1 807 014 M92
VENTIL		
VALVULA	}	1 807 015 M92
VALVE		



VALVE

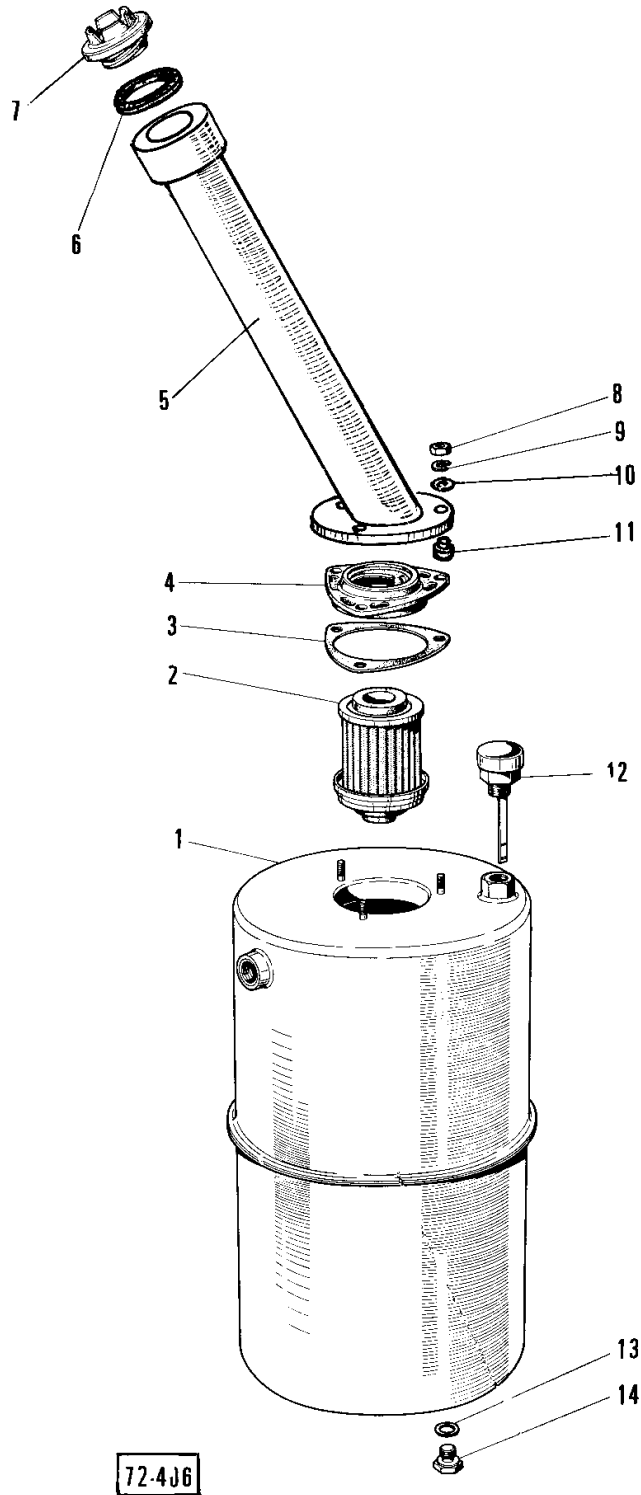
Item	Part Number	Qty	Description	Comments
1	1807014M92	1	Distributor	INCL. REF. 5, 8, 10, 11, 12, 15, 18 (B)
	1630930M92	1	Distributor	INCL. REF. 10, 11, 12, 15, 18 (B)
	1807015M92	1	Distributor	INCL. REF. 5, 8, 10, 11, 12, 15, 18 (C)
	1630931M92	1	Distributor	INCL. REF. 10, 11, 12, 15, 18 (C)
2		2	Bush	(A, B, C)
		2	Washer	(A, B, C)
4		1	Plate	(A, B, C)
5	1635881M91	1	Parts Pack	(B, C)
6		1	Screw	(A, B, C)
7		2	Stud	(A, B, C)
8	1807033M1	1	Lever	(B, C)
9		2	Nut	(A, B, C)
10	1635876M91	3	Kit, Joint	(B, C)
11	1807026M1	1	Spring	(B, C)
12	1635880M91	1	Gasket	(B, C)
13		1	Shaft	(A, B, C)
14		1	Washer	(A, B, C)
15	1807017M1	1	Spring	(B, C)
16		1	Plug	(A, B, C)
17		1	Washer	(A, B, C)
18	1638435M1	1	Spring	(B, C)
19		1	Washer	(A, B, C)
20		1	Shaft	(A, C)
21		1	Plug	1807015M92 (A, C) 1807015M92 (A) Not serviced, order 1635881M91 1635880M91 (B) 1807014M92 (C) 1807015M92



HYDRAULIC TANK - 619633M1

Item	Part Number	Qty	Description	Comments
				619633M1
				Up to Serial or Engine Number 13711
	619633M1	1	Reservoir	INCL. REF. 1 TO 10
1		1	Tank	(A)
2	1719875M91	1	Filter	
3	1717468M1	1	Ring	
4		1	Cap	(A)
		1	Gasket	
5		1	Plug	(A)
		1	Seal	
6		3	Nut	(A)
7		3	Lock Washer	(A)
8	1717421M1	1	Filter	
9		1	Seal	(A)
10		1	Plug	(A)
				(A)
				Not serviced, order 619633M1

RESERVOIR HYDRAULIQUE }
 HYDRAULIQUE OBBEHALTER } 1615 145 M91 } N° 13 712 →
 DEPOSITO DEL ACEITE HYDRAULICO }
 HYDRAULIC TANK }



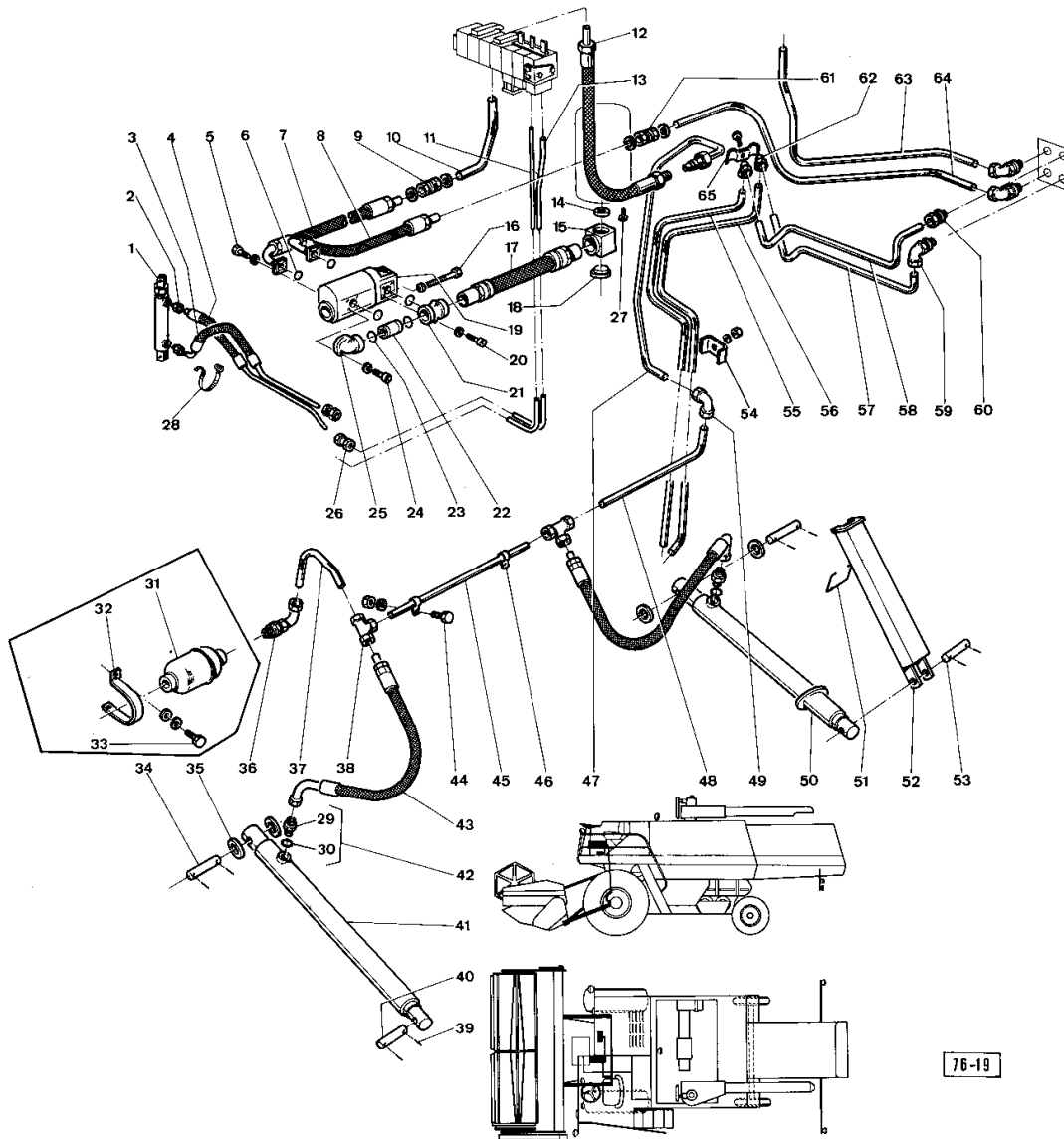
72-4J6

HYDRAULIC TANK - 1615145M91

Item	Part Number	Qty	Description	Comments
	1615145M91	1	Tank	1615145M91 Up to Serial or Engine Number 13712 INCL. REF. 1,5,6,7,10,11
1	617568M1	1	Tank	
2	1717425M91	1	Cover	INCL. REF. 2,4
	1806925M1	1	Cartridge	
3	1717468M1	1	Ring	
4		1	Cap	(A)
	1717428M1	1	Ring	
5	1615141M91	1	Extension	
6	1615142M1	1	Gasket	
7	1645943M1	1	Plug	(B)
	1717427M1	1	Plug	(B)
8	339030X1	3	Nut Metric	
9	339375X1	3	Lock Washer	
10	339588X1	3	Washer	
11	617665M1	3	Spacer	
12	1717421M1	1	Filter	
13	1440993X1	1	Seal	
14	1441060X1	1	Plug	

(A)
 Not serviced, order 1717425M91
 (B)
 ALTERNATIVE

HYDRAULIQUE -TABLE VARIATEUR DIRECTION
 HYDRAULIKANLAGE - TISH FAHRVERSTELLTRIEB - LENKUNG
 HIDRAULICO -PLATAFORMA - VARIADOR -DIRECCION
 HYDRAULIC TABLE VARIATOR - STEERING



MASSEY FERGUSON

MF 520/525 COMBINES - 1646022

1646022

228

HYDRAULIC - TABLE, VARIATOR, STEERING

Item	Part Number	Qty	Description	Comments
1		1	Cylinder	(A)
2	338716X91	2	Union	
	338761X1	2	Washer	
3	1615298M91	1	Hydr Hose	
	1441358X1	1	Bush	
	1441851X1	1	Nut	
4	1615299M91	1	Hydr Hose	
	1441358X1	1	Bush	
	1441851X1	1	Nut	
5	391979X1	8	Screw Metric	
	339375X1	8	Lock Washer	
6	1441142X1	2	Ring	
7	1615294M91	1	Hydr Hose	
	391097X1	1	Nut Metric	
8	1615297M91	1	Hydr Hose	
	339994X1	1	Olive	
	917634M91	1	Hydr Hose	(D)
	417732M1	1	Connection	(D)
	1442018X1	2	Screw Metric	(D)
	390989X1	2	Screw Metric	(D)
	1442333X1	1	Nut	
	338725X1	1	Stud	
	338727X1	1	Nut	
	1440319X1	1	Washer	
10	1615715M91	1	Tube	
11	16157229M1	1	Tube	
	1441358X1	2	Bush	
	1441851X1	2	Nut	
12	1615304M91	1	Tube	
	391101X1	1	Olive	
	391097X1	1	Nut Metric	
13	1615721M91	1	Tube	
	1441358X1	2	Bush	
	1441851X1	2	Nut	
14	619657M1	1	Ring	
15	619656M1	1	Union	
16	1441813X1	2	Screw	
	339376X1	2	Lock Washer	
17	619643M1	1	Hose	
	619641M93	1	Hydr Hose	INCL. REF. 15-17-21
18	619659M1	1	Plug	
19	619601M91	1	Pump	(C)
	619621M93	1	Pump	INCL. REF. 15 TO 17,19 TO 25
20	1441814X1	3	Screw	
	339375X1	3	Lock Washer	
21	619642M2	1	Union	
22	619644M1	1	Tube	
23	1441816X1	4	Seal	
24	391979X1	1	Screw Metric	
	339375X1	1	Lock Washer	
25	619600M2	1	Union	
26	338724X1	2	Union	
	338726X1	2	Union	
27	619658M1	1	Screw	
28	969188M1	1	Clip	
29	338720X1	2	Union	
30	338764X1	2	Seal	
31	1615226M1	1	Accumulator	
	619821M1	1	Restrictor	(E)
	1616781M1	1	Restrictor	
	361050X1	1	Spacer	
	339056X1	1	Washer Metric	
32	910860M1	1	Strap	
33	353518X1	1	Screw Unf	
	353522X1	1	Bolt Unf	
	353446X1	2	Lock Washer	
	353755X1	2	Washer	
34	619824M1	2	Clevis Pin	
35	619825M1	4	Washer	

MASSEY FERGUSON

MF 520/525 COMBINES - 1646022

1646022

228

HYDRAULIC - TABLE, VARIATOR, STEERING

Item	Part Number	Qty	Description	Comments
36	619819M1	1	Union	
37	619817M1	1	Tube	
38	338738X1	2	Union	
	391101X1	2	Olive	
	391097X1	2	Nut Metric	
39	354091X1	8	Pin	
40	786541M1	1	Pin	
41	1748103M91	1	Cylinder	(B) Left Hand
42	338717X91	2	Union	INCL. REF. 29-30
43	1615305M91	2	Hydr Hose	
	391101X1	2	Olive	
	391097X1	2	Nut Metric	
44	353517X1	2	Screw Unf	
	353446X1	2	Lock Washer	
	353916X1	2	Nut Unf	
45	1615732M91	1	Tube	
	391101X1	2	Olive	
	391097X1	2	Nut Metric	
46	619818M1	2	Collar	
47	1615730M91	2	Tube	
	391101X1	2	Olive	
	391097X1	2	Nut Metric	
48	1615731M91	1	Tube	
	391101X1	2	Olive	
	391097X1	2	Nut Metric	
49	338730X1	1	Stud	
	338727X1	1	Nut	
	1440319X1	1	Washer	
50	1748104M92	1	Ram	Right Hand (B)
51	786537M1	1	Cradle	
52	786536M91	1	Table	
53	786540M1	1	Pin	
54	621368M1	1	Clip	
	353441X1	1	Lock Washer	
	353918X1	1	Nut Unf	
55	1615727M91	1	Tube	
	339994X1	2	Olive	
	1442333X1	2	Nut	
56	1615728M91	1	Tube	
	339994X1	2	Olive	
	1442333X1	2	Nut	
57	1615725M91	1	Tube	
	339994X1	2	Olive	
	1442333X1	2	Nut	
58	1615726M91	1	Tube	
	339994X1	2	Olive	
	1442333X1	2	Nut	
59	619805M1	3	Angle	
60	338784X1	1	Union	
61	1442335X1	1	Union	
	339648X1	1	Washer	
62	338710X1	2	Angle	
63	1615723M91	1	Tube	
	339994X1	2	Olive	
	1442333X1	2	Nut	
64	1615724M91	1	Tube	
	339994X1	2	Olive	
65	609773M1	1	Strap	
	353671X1	1	Bolt Unc	
	353441X1	1	Lock Washer	
	375107X1	1	Nut Unc	
	353754X1	1	Washer	

(A)
See Page - Reference Number 144
(B)
See Page - Reference Number 233B
(C)
See Page - Reference Number 211

MASSEY FERGUSON**MF 520/525 COMBINES - 1646022**

1646022

HYDRAULIC - TABLE, VARIATOR, STEERING**228**

Item	Part Number	Qty	Description	Comments
				(D)
				SPAIN
				(E)
				GERMANY

IMAGE NOT AVAILABLE

RAM - 1748103M92

Item	Part Number	Qty	Description	Comments
				1748103M92
				From Serial or Engine Number 13743
				TABLE LIFT
1	1748103M92	1	Ram	
2		1	Barrel	(A)
3		1	Piston Rod	(A)
4		2	Ring	(A)
5		1	Ring	(A)
6	1748106M1	1	Bush	
7	1441825X1	1	Circlip	
8	1441843X1	1	Bush	
9	1748019M1	1	Ring	
10	1748020M1	1	Ring	
11	1748021M1	1	Ring	
12	1441775X1	1	Ring	
13	1441848X1	1	Ring	
14	1748043M1	1	Plug	
				(A)
				Not serviced, order 1748103M92

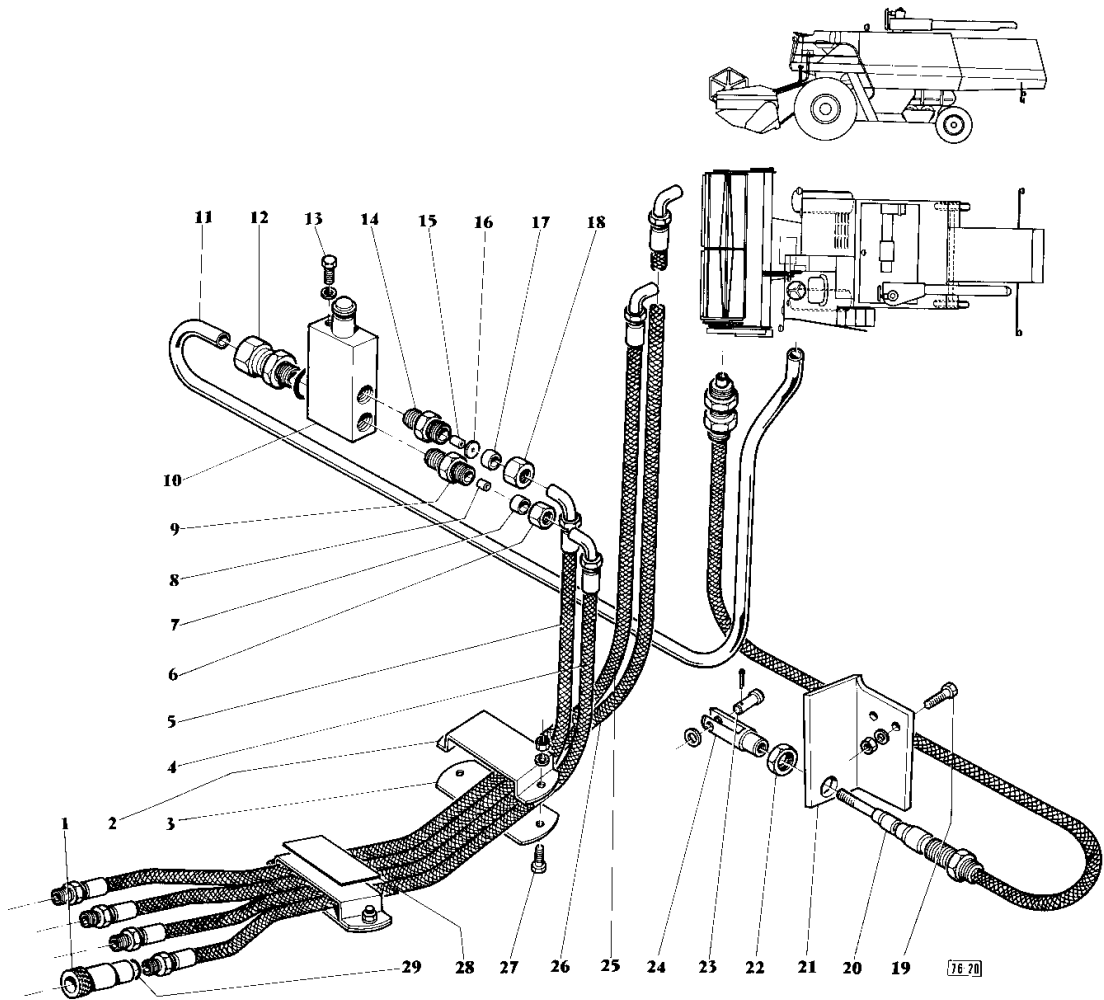
IMAGE NOT AVAILABLE

RAM - 1748104M92

Item	Part Number	Qty	Description	Comments
				1748104M92
				From Serial or Engine Number 13743
				TABLE LIFT
	1748104M92	1	Ram	
2		1	Barrel	(A)
3		1	Piston	(A)
4		2	Ring	(A)
5		1	Ring	(A)
6	1748106M1	1	Bush	
7	1441825X1	1	Circlip	
8	1441843X1	1	Bush	
9	1748019M1	1	Ring	
10	1748020M1	1	Ring	
11	1748021M1	1	Ring	
13	1441848X1	1	Ring	
14	1748043M1	1	Plug	
				(A)
				Not serviced, order 1748104M92

REF	N° PIECE	Qté
-----	----------	-----

HYDRAULIQUE VERS TABLE
 HYDRAULIK LEITUNG ZUM TISH
 HIDRAULICO HACIA LA PLATAFORMA
 HYDRAULIC TO TABLE



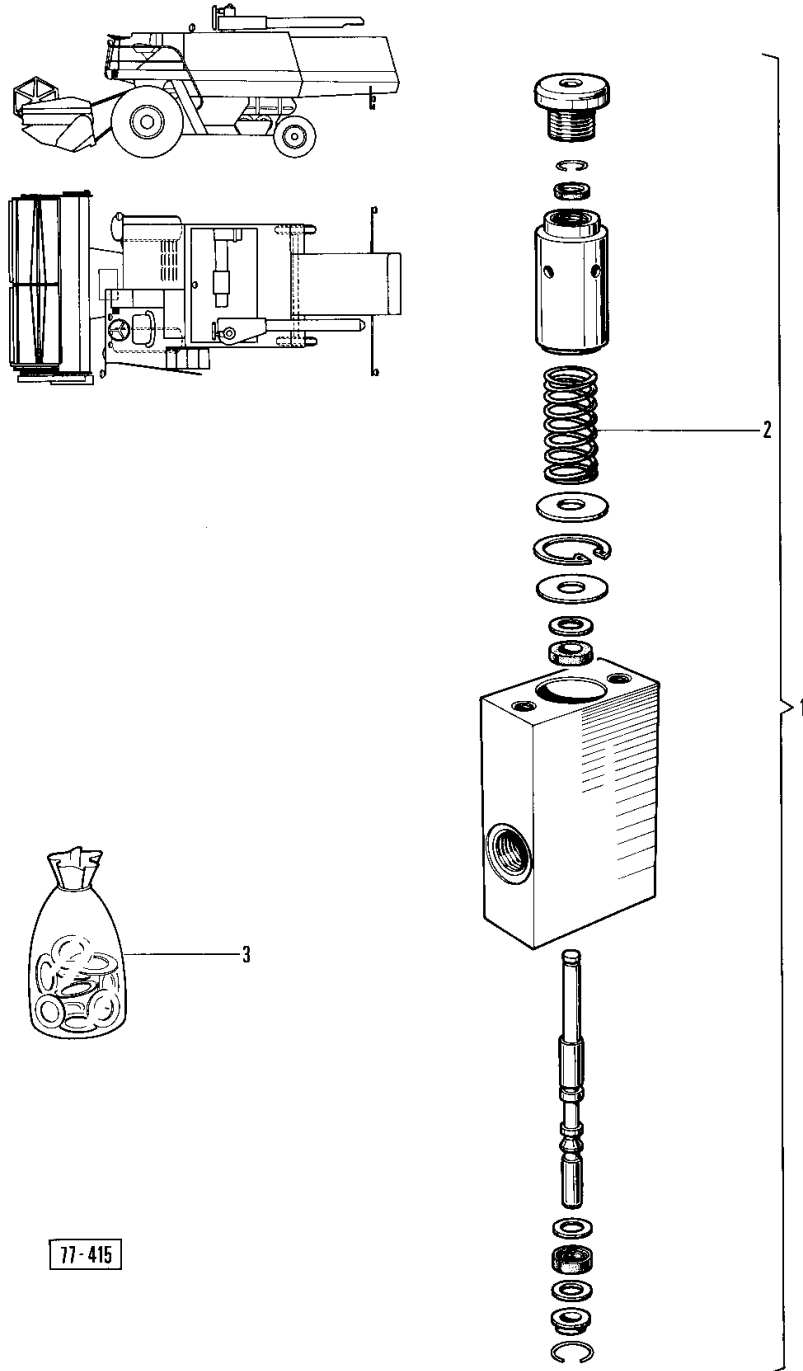
HYDRAULIC TO TABLE

Item	Part Number	Qty	Description	Comments
1	786725M91	4	Coupling	(A)
	619857M1	4	Union	(A)
2	619795M1	2	Strap	
3	619796M1	2	Strap	
4	1615302M91	1	Hydr Hose	
5	1615303M91	1	Hose	
6	1441851X1	1	Nut	
7	1441358X1	1	Bush	
8	619789M1	1	Restrictor	
9	917034M1	1	Union	
	338764X1	1	Seal	
10	619663M1	1	Valve	(B)
	619784M92	1	Block	INCL. REF. 8-9-10-12-14-15-16
11	1615720M91	1	Tube	
	339994X1	2	Olive	
	1441468X1	2	Nut	
12	338718X91	1	Union	
	338764X1	1	Seal	
13	339228X1	2	Screw Metric	
	1440313X1	2	Washer	
14	619785M1	1	Union	
15	606815M1	1	Nozzle	
16	619790M1	1	Washer	
17	1441466X1	1	Bush	
18	1441468X1	1	Nut	
19	353691X1	2	Screw Unc	
	353434X1	2	Lock Washer	
	353771X1	2	Washer	
	353568X1	2	Bolt Unf	
20	619847M1	1	Cable	
21	619849M3	1	Guide	
22		4	Nut	
23		1	Pin	
		1	Pin	
		1	Washer	
24		1	Clevis	
25	1615300M91	1	Hydr Hose	
	1441851X1	1	Nut	
	1441358X1	1	Bush	
26	1615301M91	1	Hydr Hose	
	1441851X1	1	Nut	
	1441358X1	1	Bush	
27	353501X1	4	Screw Unf	
	353441X1	4	Lock Washer	
	353918X1	4	Nut Unf	
28	911458M1	2	Decal	
29	831452M1	4	O Ring	

(A)
ALTERNATIVE
(B)
DETAIL PAGE 236

236

VANNE DE DERIVATION }
 WEGEVENTIL } 619 663 M1
 CORREDERA }
 VALVE }

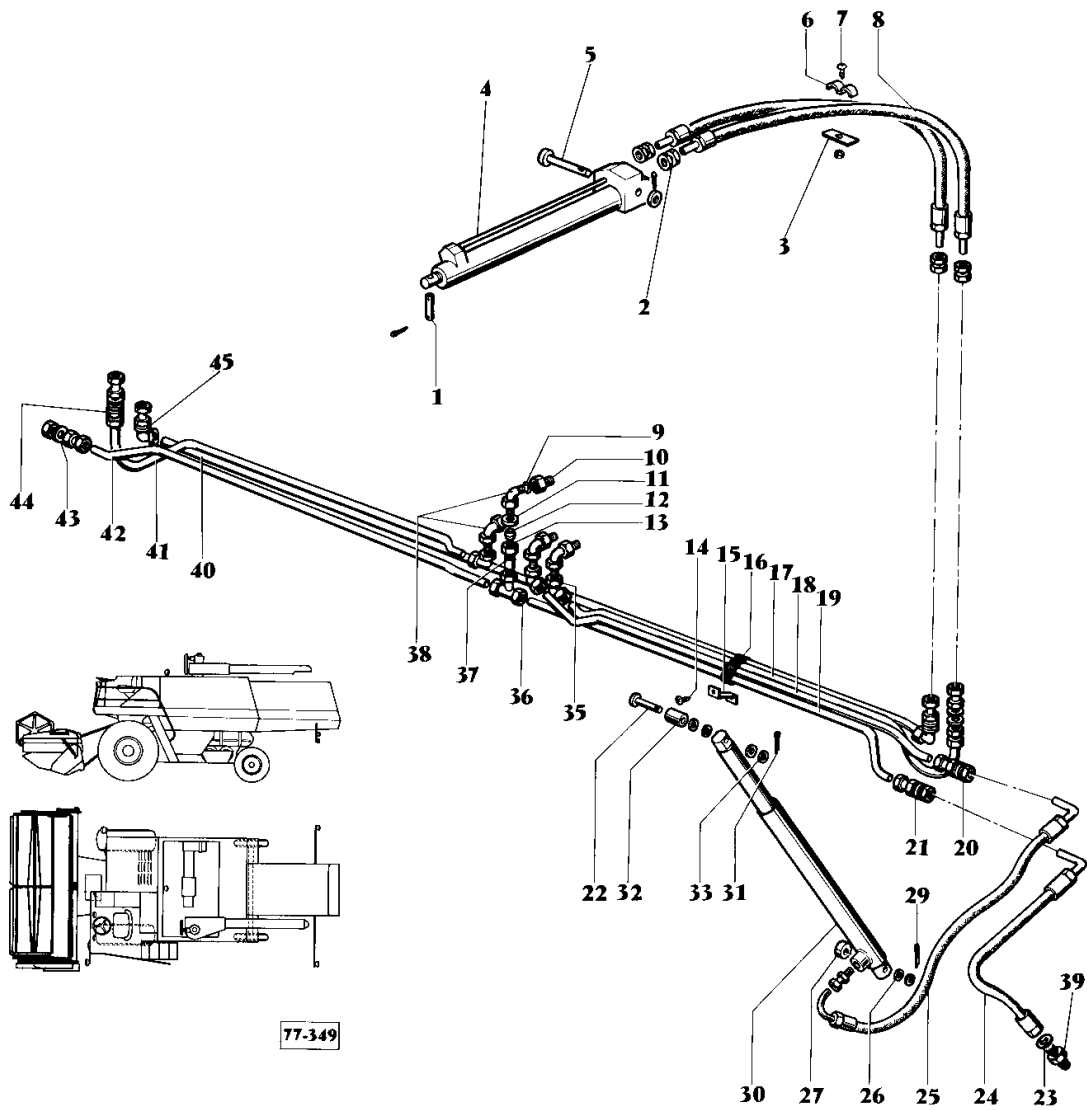


77-415

VALVES - 619663M1

Item	Part Number	Qty	Description	Comments
				619663M1
1	619663M1	1	Valve	
2	1806943M1	1	Spring	
3	1719057M91	1	Gasket	(A)
	1719056M91	1	Gasket	(B)
	1719055M91	1	Gasket	(C)
				(A)
				Up to Serial or Engine Number 222
				(B)
				223-228
				(C)
				From Serial or Engine Number 229

HYDRAULIQUE DE TABLE
 HYDRAULIKANLAGE TISCH
 HIDRAULICO DE PLATAFORMA
 TABLE HYDRAULICS



77-349

TABLE HYDRAULICS - 3 M - 10'

Item	Part Number	Qty	Description	Comments
				3 M - 10' 3,60 M - 12' 4,20 M - 14'
1	785856M1	2	Pin	
	195416M1	2	Pin	
2	835091M91	4	Connector	
3	1615991M91	2	Plate	
4	1748382M91	1	Ram	Right Hand
	1748381M91	1	Ram	(B) Left Hand
5	832818M1	2	Pin	
	619887M1	4	Washer	
	353758X1	2	Washer	
	354059X1	2	Pin	
6	619884M1	2	Strap	
7	357444X1	2	Screw	
	353445X1	2	Lock Washer	
	354120X1	2	Nut	
8	1615990M91	4	Hose	
9	831452M1	4	O Ring	
10	786724M91	4	Coupling	(A)
	619794M1	4	Union	(A)
11	339617X1	4	Nut Metric	
12	1441358X1	1	Bush	
13	1441851X1	1	Nut	
14	338509X1	8	Screw	(3 M - 10')
	338509X1	12	Screw	(3,60 M - 12', 4,20 M - 14')
15	786421M1	4	Strap	(3 M - 10')
	786421M1	6	Strap	(3,60 M - 12', 4,20 M - 14')
16	619886M1	16	Sleeve	(3 M - 10')
	619886M1	23	Sleeve	(3,60 M - 12', 4,20 M - 14')
17	1615743M91	1	Tube	(3 M - 10')
	1615744M91	1	Tube	(3,60 M - 12')
	1615736M91	1	Tube	(4,20 M - 14')
18	1615749M91	1	Tube	(3 M - 10')
	1615750M91	1	Tube	(3,60 M - 12')
	1615737M91	1	Tube	(4,20 M - 14')
19	1615751M91	1	Tube	(3 M - 10')
	1615752M91	1	Tube	(3,60 M - 12')
	1615738M91	1	Tube	(4,20 M - 14')
20	338716X91	2	Union	
	338761X1	2	Washer	
21	339072X1	6	Washer	
22	195357M1	2	Pin	
23	831495M1	1	O Ring	
24	1615292M91	1	Hydr Hose	
25	1615290M91	2	Hydr Hose	
26	353760X1	X	Flat Washers	
27	10916X	X	Washer	
29	354059X1	2	Pin	
30	1748119M91	2	Ram	(C-E)
	619666M2	2	Ram	(E)
31	354076X1	2	Pin	
32	917010M1	2	Spacer	
33	353760X1	X	Flat Washers	
35	1442433X1	3	Union	
36	338736X1	1	Stud	
37	1615740M91	1	Tube	
38	619858M1	4	Union	
39	358741X91	1	Union	
40	1615747M91	1	Tube	(3 M - 10')
	1615748M91	1	Tube	(3,60 M - 12')
	1615739M91	1	Tube	(4,20 M - 14')
41	1615745M91	1	Tube	(3 M - 10')
	1615746M91	1	Tube	(3,60 M - 12')
	1615735M91	1	Tube	(4,20 M - 14')
42	1615741M91	1	Tube	(3 M - 10')

TABLE HYDRAULICS - 3 M - 10'

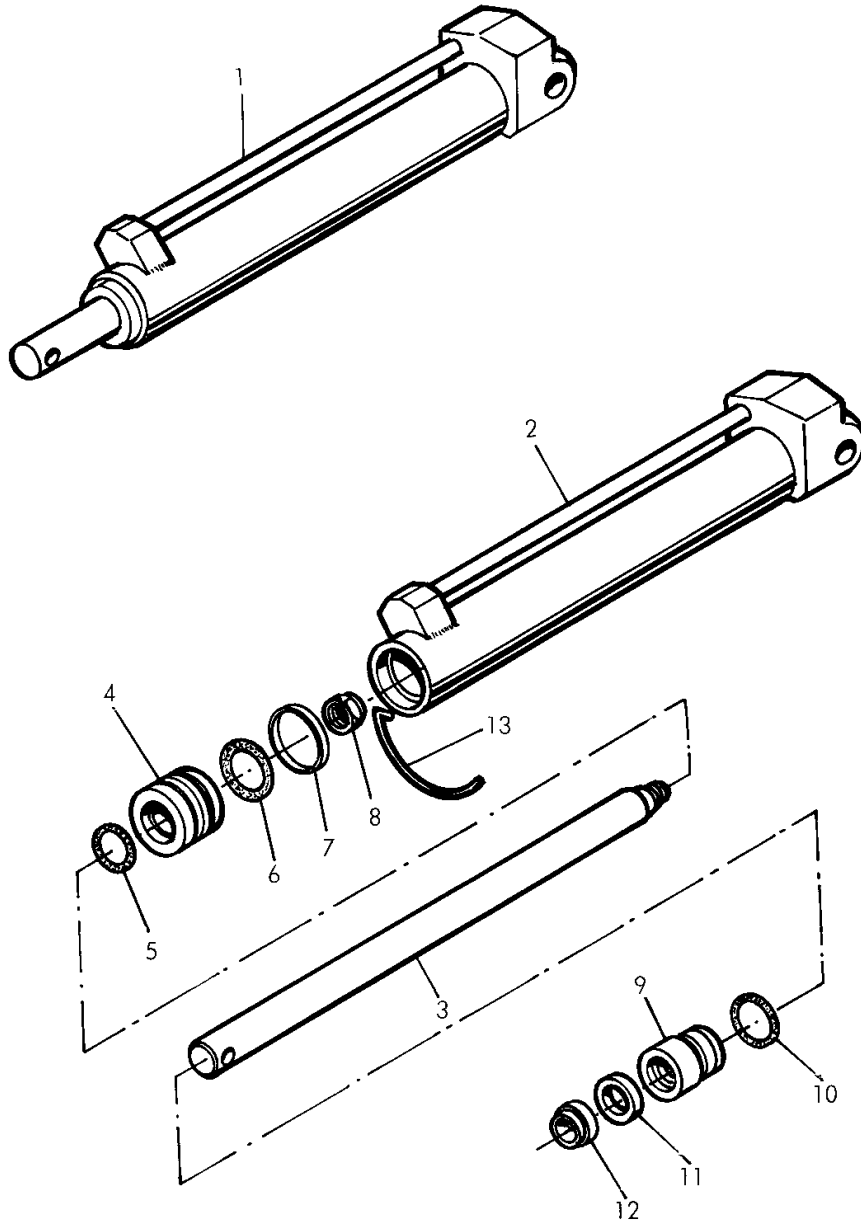
Item	Part Number	Qty	Description	Comments
	1615742M91	1	Tube	(3,60 M - 12')
	1615734M91	1	Tube	(4,20 M - 14')
43	339072X1	6	Washer	
44	338724X1	2	Union	
	338726X1	2	Union	
45	338726X1	5	Union	
	338728X1	5	Union	

(A)
ALTERNATIVE
(B)
DETAIL PAGE 240-243
(C)
DETAIL PAGE 243A
(E)
ALTERNATIVE

240

REF	N° PIECE	Qté
-----	----------	-----

VERIN
 HYDRAULIKZYLINDER
 CILINDRO HIDRAULICO
 RAM



76-114

MASSEY FERGUSON
MF 520/525 COMBINES - 1646022

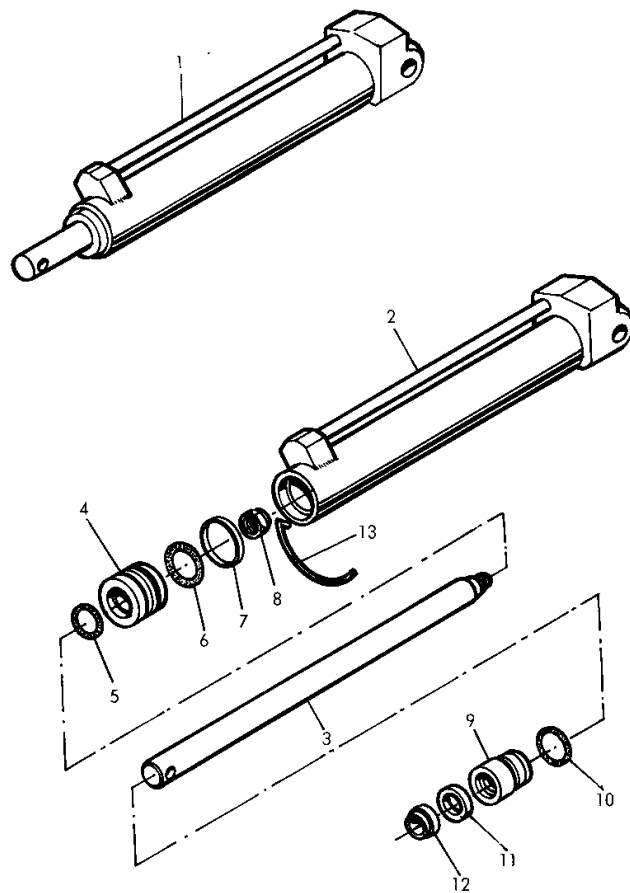
1646022

240

RAM - 1748382M91

Item	Part Number	Qty	Description	Comments
				1748382M91
1	1748382M91	1	Ram	INCL. REF. 2 TO 13
2	1607133M91	1	Barrel	
3	1607131M1	1	Rod	
4	1607134M1	1	Piston	
5	831520M1	1	O Ring	
6	831582M1	1	O Ring	
7	1606975M1	1	Ring	
8	1607683M1	1	Nut	
9	1607132M1	1	Bush	
10	1881636M1	1	Seal	
11	1034007M1	1	Seal	
12	1441781X1	1	Seal	
13	1607142M1	1	Ring	
	1607135M91	X	Kit, Seal	INCL. REF. 5,6,7,10, AND 12 + X AS REQUIRED + NOT ILLUSTRATED

VERIN }
HYDRAULIKZYLINDER } 1740 381 M91
CILINDRO HIDRAULICO }
RAM }



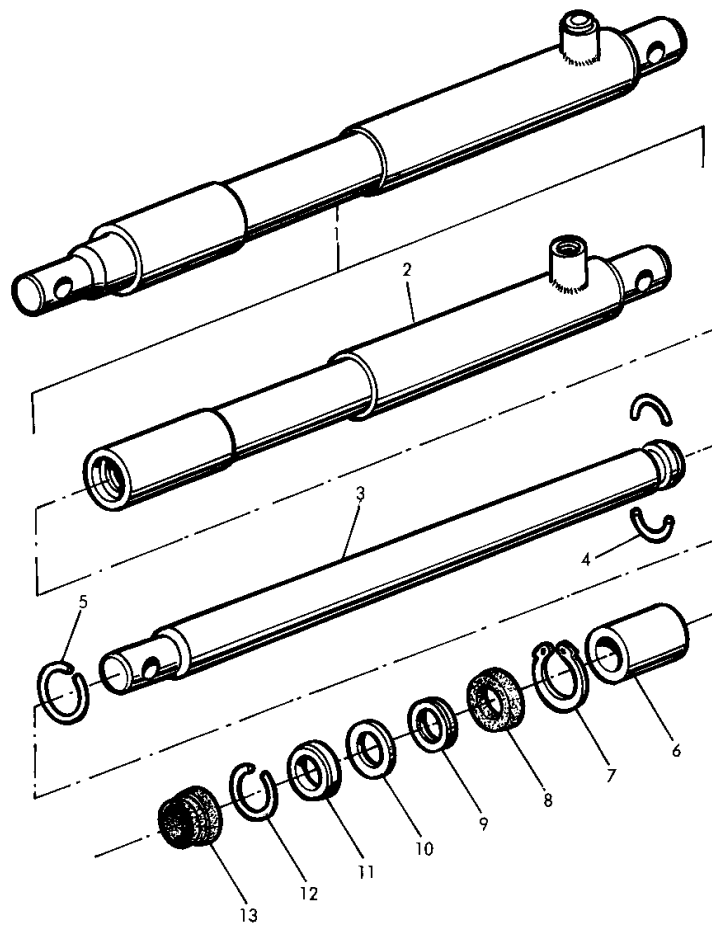
76-114

RAM - 1748381M91

Item	Part Number	Qty	Description	Comments
				1748381M91
1	1748381M91	1	Ram	INCL. REF. 2 TO 13
2	1607109M91	1	Barrel	
3	1607107M1	1	Rod	
4	1607110M1	1	Piston	
5	831582M1	1	O Ring	
6	367178X1	1	Ring	
7	1606801M1	1	Ring	
8	1442494X1	1	Nut Metric	
9	1607108M1	1	Bearing	
10	1748324M1	1	Ring	
11	1748236M1	1	Seal	
12	1442082X1	1	Seal	
13	1748009M1	1	Wire	
	1607119M91	X	Kit, Seal	INCL. REF. 5,6,7,10,11 AND 12 +
	1607426M1	X	Kit, Seal	+ X AS REQUIRED + NOT ILLUSTRATED

243 A

VERIN }
HYDRAULIKZYLINDER } 1748 119 M92
CILINDRO IDRAULICO }
RAM }



76-115

RAM - 1748119M92

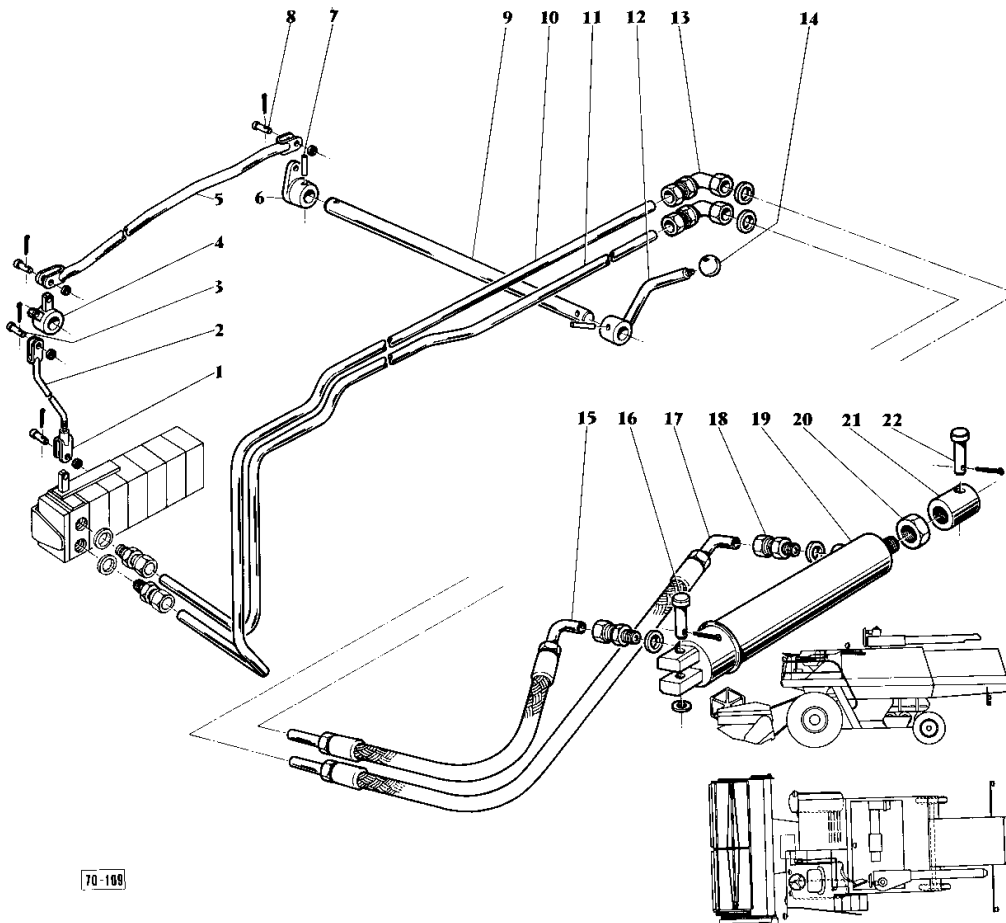
Item	Part Number	Qty	Description	Comments
				1748119M92
1	1748119M92	1	Ram	INCL. REF. 2 TO 13
2		1	Barrel	(A)
3		1	Piston Rod	(A)
4		2	Ring	(A)
5		1	Ring	(A)
6	1748118M1	1	Bush	
7	1441827X1	1	Ring	
8	1441846X1	1	Seal	
9	1748030M1	1	Ring	
10	1748031M1	1	Ring	
11	1748319M1	1	Ring	
12	1748318M1	1	Ring	
13	1441847X1	1	Seal	

(A)
Not serviced, order 1748119M92

244

REF.	N° PIECE	Qté
------	----------	-----

HYDRAULIQUE -COMMANDE DE BUSE DE DECHARGE
 HYDRAULIKANLAGE - KORNTANKENLEERUNGSROHR
 HIDRAULICO - MANDO DEL TUBO DE DESCARGA
 HYDRAULIC - SPOUNT UNLOADER

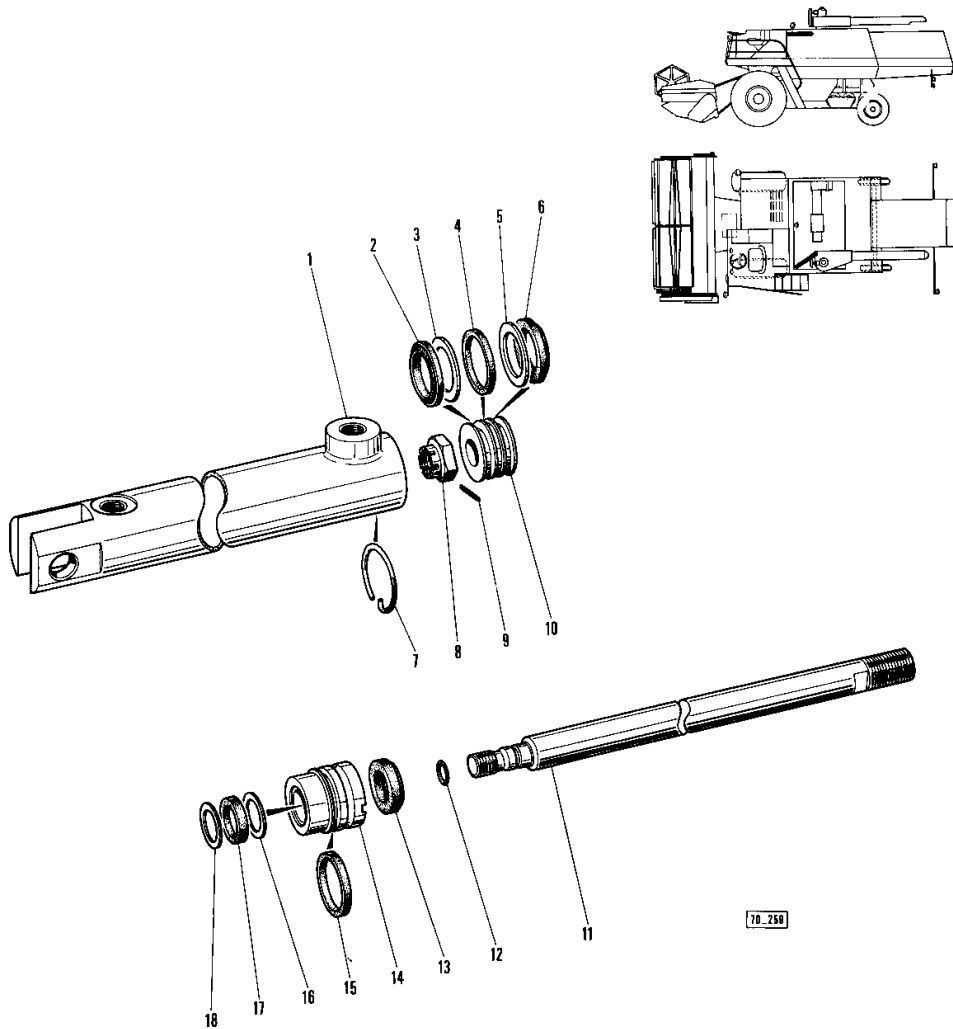


HYDRAULIC - SPOUT UNLOADER

Item	Part Number	Qty	Description	Comments
1	619729M1	3	Clevis	
2	619723M91	1	Stem	
3	195234M1	5	Clevis Pin	
	354057X1	5	Pin	
4	619718M91	1	Relay	
5	619748M91	1	Stem	
6	619752M1	1	Rod Link	
7	390729X1	2	Pin	
8	619756M1	2	Clevis Pin	
	354050X1	2	Pin	
9	619751M1	1	Clevis Pin	
10	1615718M91	1	Tube	
11	1615719M91	1	Tube	
	1441358X1	2	Bush	
	1441851X1	2	Nut	
12	619753M91	1	Lever	
13	338728X1	2	Union	
	338726X1	2	Union	
	1440316X1	2	Washer	
14	963781M1	1	Knob	
15	1615295M91	1	Hydr Hose	
	1441358X1	2	Bush	
	1441851X1	2	Nut	
16	354192X1	1	Pin	
	354059X1	1	Pin	
17	1615296M91	1	Hose	
	1441358X1	2	Bush	
	1441851X1	2	Nut	
18	338716X91	2	Union	
	338761X1	1	Washer	
19	619662M1	1	Cylinder	(B)-(A)
	1748185M91	1	Ram	(C)-(A)
20	339682X1	1	Nut Metric	
21	619773M1	1	Pivot	
22	338609X1	1	Clevis Pin	
	354059X1	1	Pin	

(A)
ALTERNATIVE
(B)
DETAIL PAGE 247
(C)
DETAIL PAGE 247A

VERIN }
ZYLINDER } 619 662 M1
CILINDRO }
RAM }

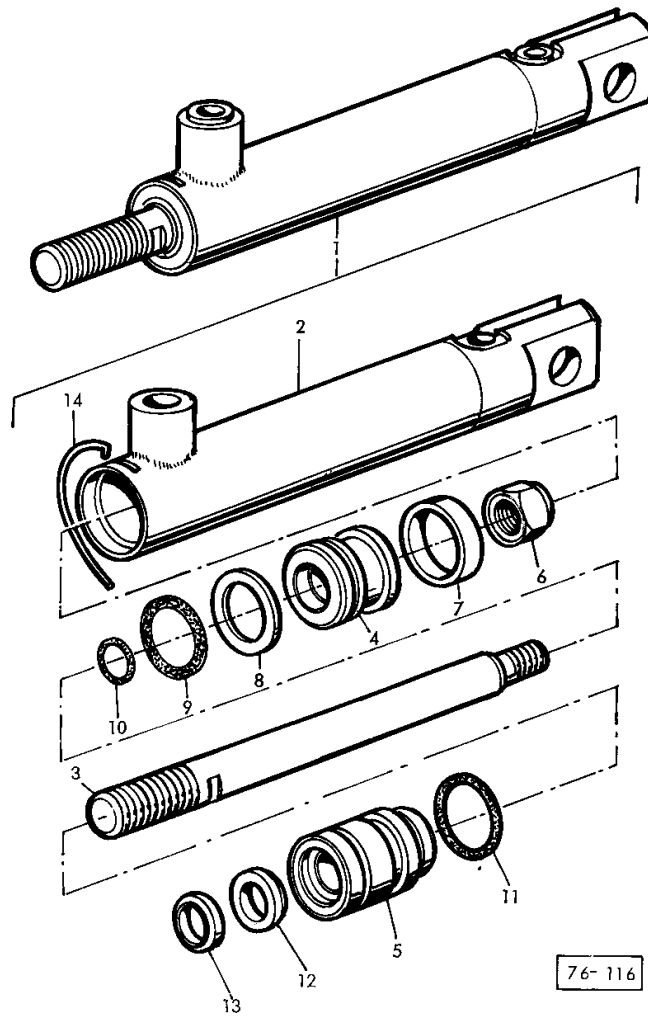


RAM - 619662M1

Item	Part Number	Qty	Description	Comments
	619662M1	1	Ram	619662M1 INCL. REF. 1 TO 18
1	1806913M1	1	Tube	
2	1806919M1	1	Ring	
3	1806923M1	1	Washer	
4	1806911M1	1	Seal	
5	1806923M1	1	Washer	
6	1806919M1	1	Ring	
7	1806924M1	1	Wire	
8	1806920M1	1	Nut	
9	1806921M1	1	Pin	
10	1806917M1	1	Piston	
11	1806915M1	1	Rod	
12	1806918M1	1	Ring	
13	1806922M1	1	Scraper	
14	1806916M1	1	Bush	
15	1717510M1	1	Gasket	
16	1717497M1	1	Washer	
17	1717448M1	1	Seal	
18	1717497M1	1	Washer	

247 A

VERIN }
HYDRAULIKZYLINDER } 1748 185 M91
CILINDRO HIDRAULICO }
RAM }



MASSEY FERGUSON
MF 520/525 COMBINES - 1646022

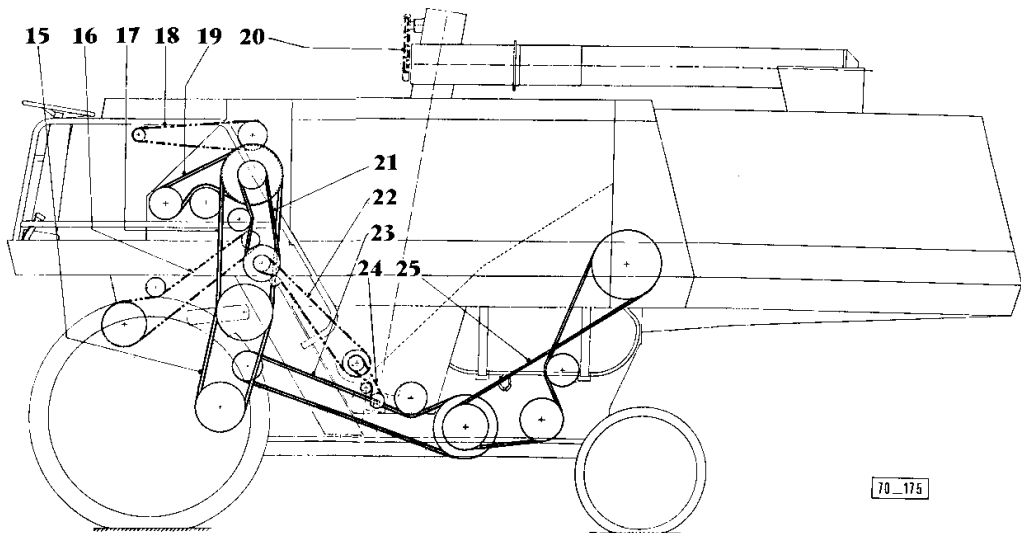
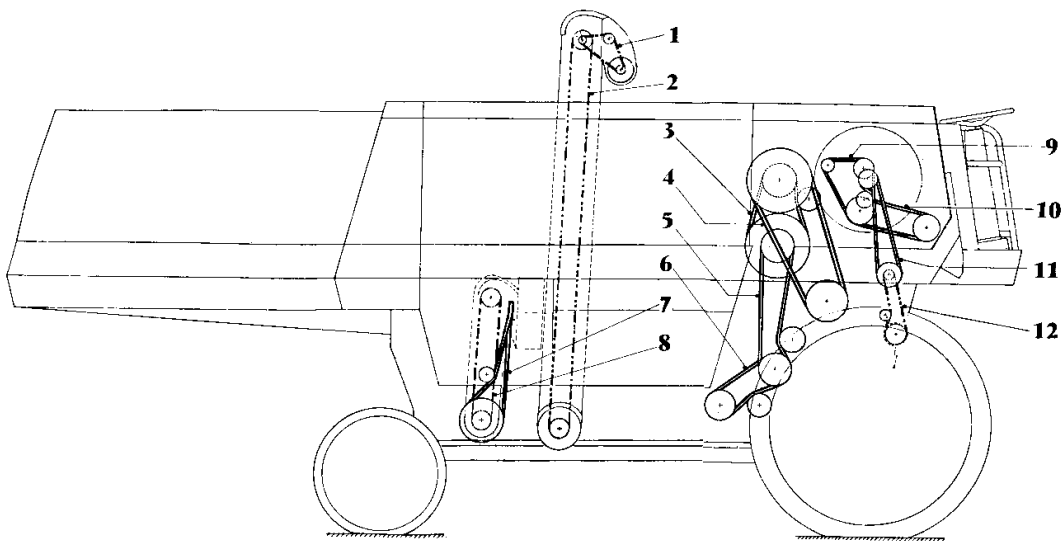
1646022

247A

RAM - 1748185M91

Item	Part Number	Qty	Description	Comments
				1748185M91
1	1748185M91	1	Ram	INCL. REF. 2 TO 14
2	1748287M91	1	Barrel	
3	1748272M1	1	Stem	
4	1748264M1	1	Piston	
5	1748262M1	1	Bearing	
6	1442494X1	1	Nut Metric	
7	1606804M1	1	Ring	
8	1606801M1	1	Ring	
9	367178X1	1	Ring	
10	1442713X1	1	Seal	
11	1748324M1	1	Ring	
12	1748346M1	1	Seal	
13	1441781X1	1	Seal	
14	1748009M1	1	Wire	

COURROIES ET CHAINES
TREIBRIEMEN UND KETTEN
CORREAS Y CADENAS
BELTS AND CHAINS

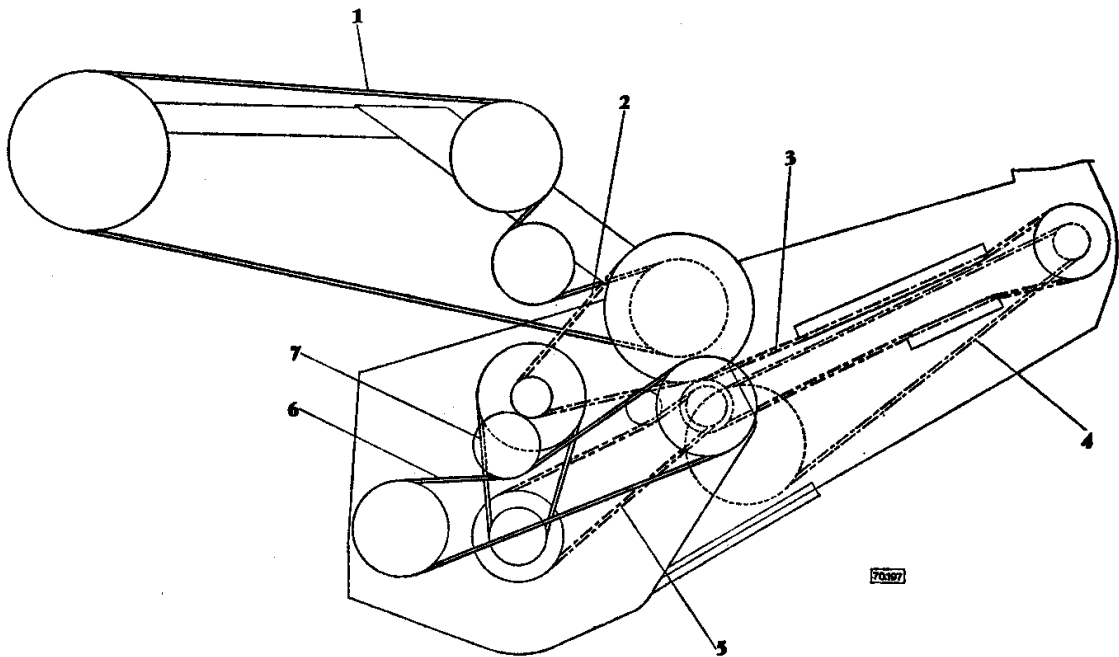


CHAINS AND BELTS

Item	Part Number	Qty	Description	Comments
1	619220M1	1	Chain	(B)
2	784848M91	1	Chain	(C)
3	912877M1	1	Belt	
4	783539M1	1	Belt	
5	785585M2	1	Belt	
6	784797M1	1	Belt	(A) Right Hand
	1616477M1	1	Belt	(D)
7	795514M4	1	Belt	
	795582M1	1	Belt	(A)
8	1855575M91	1	Chain	(C)
9	619192M2	1	Belt	(E)
	1604524M1	1	Belt	(F)
10	619595M1	1	Belt	
11	783907M2	1	Belt	
12	222794M91	1	Chain	(B)
15	1616715M1	1	Belt	
16	912497M91	1	Chain	(C)
17	1616714M1	1	Belt	
18	911339M91	1	Chain	(C)
19	619327M1	1	Belt	
20	228794M91	1	Chain	(B)
21	619317M2	1	Belt	
22	619257M1	1	Chain	(B)
23	784796M2	1	Belt	Left Hand
24	833374M91	1	Chain	(C)
25	1615254M1	1	Belt	Left Hand
				(A)
				SLOW SPEED
				(B)
				See Page - Reference Number 252
				(C)
				See Page - Reference Number 255
				(D)
				HIGH SPEED
				(E)
				From Serial or Engine Number 16388
				(F)
				Up to Serial or Engine Number 16389

CHAINES ET COURROIES (TABLE)
KETTEN UND RIEMEN (TISCH)
CADENAS Y CORREAS (PLATA FORMA)
CHAINS AND BELTS (TABLE)

251



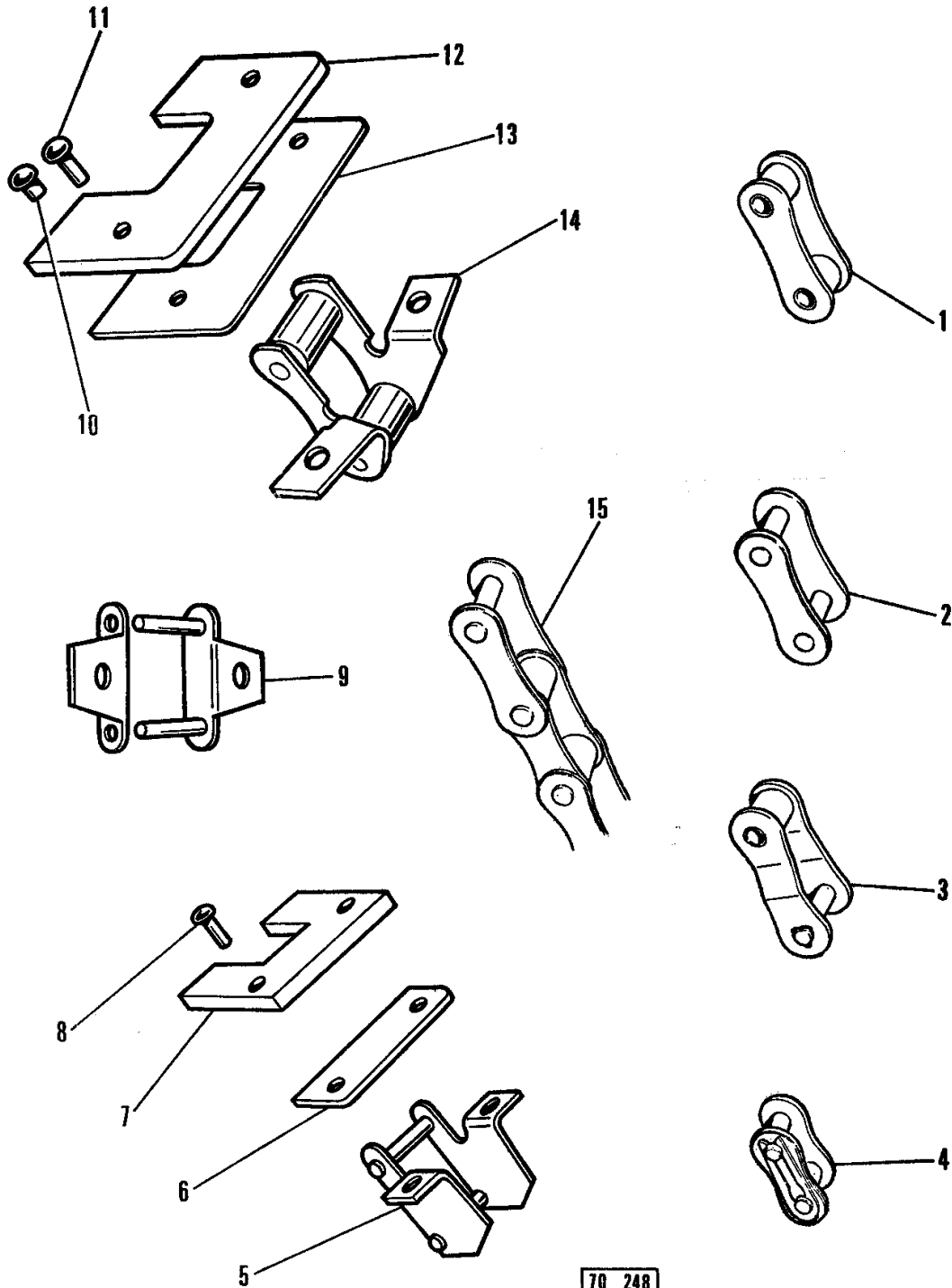
CHAINS AND BELTS

Item	Part Number	Qty	Description	Comments
1	1615254M1	1	Belt	
2	785843M91	1	Chain	(B)
3	619855M91	1	Chain	(A)
	659902M1	1	Chain	(C)
4	617907M91	1	Chain	(D)
	1615597M91	1	Chain	INCL. REF. 4 (E)
	243503M91	1	Chain	INCL. REF. 4 Left Hand (A-D)
	1615595M91	1	Chain	Left Hand (E)
	243504M91	1	Chain	(A-D)
	1615594M91	1	Chain	Right Hand (A-D)
	1615593M91	1	Chain	Right Hand (E)
5	785617M1	1	Auger	(B)
6	785585M3	1	Belt	
7	789853M1	1	Belt	

(A)
See Page - Reference Number 252
(B)
See Page - Reference Number 255
(C)
FOR MAIZE
(D)
Up to Serial or Engine Number 14921
(E)
From Serial or Engine Number 14922

252

CHAINES (DETAIL)
 ROLLENKENTEN (ENZETEILE)
 CADENAS (DETALLES)
 CHAINS (DETAIL)



70_248

CHAINS

Item	Part Number	Qty	Description	Comments
	ppp 255			IN FRENCH
	ppp 256			IN GERMAN
				IN SPANISH
				IN ENGLISH
1	910581M1	1	Table	IN FRENCH
	910583M1	1	Decal	IN GERMAN
	910645M1	1	Table	IN SPANISH
2	910582M1	1	Decal	IN ENGLISH
	685759M1	1	Decal	IN FRENCH
	910147M1	1	Decal	IN GERMAN
	910548M1	1	Decal	IN SPANISH
3	650462M1	1	Decal	IN ENGLISH
	650462M1	1	Decal	IN ENGLISH
	910575M1	1	Decal	IN FRENCH
	910577M1	1	Decal	IN GERMAN
	910643M1	1	Decal	IN SPANISH
	910576M1	1	Decal	IN ENGLISH
4	910058M1	1	Plate	
5	910585M1	1	Decal	IN FRENCH
	910587M1	1	Decal	IN GERMAN
	910646M1	1	Decal	IN SPANISH
6	910586M1	1	Decal	IN ENGLISH
	619232M1	1	Decal	Left Hand
	606761M1	1	Decal	Left Hand
	1615913M1	2	Emblem	IN FRENCH
	1615951M1	2	Emblem	IN FRENCH
7	685728M2	1	Decal	IN FRENCH
	910186M1	1	Decal	IN GERMAN
	910541M1	1	Decal	IN SPANISH
	792272M1	1	Decal	IN ENGLISH
8	196369M1	1	Decal	
	1615911M1	2	Emblem	IN FRENCH
9	685728M2	1	Decal	IN FRENCH
	910186M1	1	Decal	IN GERMAN
	910541M1	1	Decal	IN SPANISH
	792272M1	1	Decal	IN ENGLISH
10	1615908M1	1	Emblem	
	606760M1	1	Emblem	
11	658132M1	1	Decal	
12	196369M1	1	Decal	
13	916583M1	1	Decal	IN FRENCH
	916584M1	1	Decal	IN ENGLISH
14	957736M2	1	Transfer	IN FRENCH
	910550M1	1	Transfer	IN SPANISH
15	619592M3	1	Plate	IN FRENCH
	619854M3	1	Plate	IN GERMAN
				IN SPANISH
				IN ENGLISH
16	1616843M1	1	Decal	IN FRENCH
	1616845M1	1	Decal	IN GERMAN
	1616244M1	1	Decal	IN SPANISH
	1616841M1	1	Decal	IN ENGLISH
17	911458M1	1	Decal	
18	910057M1	1	Decal	IN FRENCH
	910993M1	1	Decal	IN GERMAN
	910552M1	1	Decal	IN SPANISH
	910992M1	1	Decal	IN ENGLISH
19	795409M1	1	Transfer	IN FRENCH
	910185M2	1	Decal	IN GERMAN
	795410M1	1	Decal	IN SPANISH
	795092M1	1	Decal	IN ENGLISH
20	685738M1	1	Decal	IN FRENCH
	910144M2	1	Decal	IN GERMAN
	910535M1	1	Decal	IN SPANISH
	650443M1	1	Decal	IN ENGLISH
21	685739M1	1	Decal	IN FRENCH
	910140M1	1	Decal	IN GERMAN
	910533M1	1	Decal	IN SPANISH
	650421M1	1	Decal	IN ENGLISH
22	685730M2	1	Decal	IN FRENCH

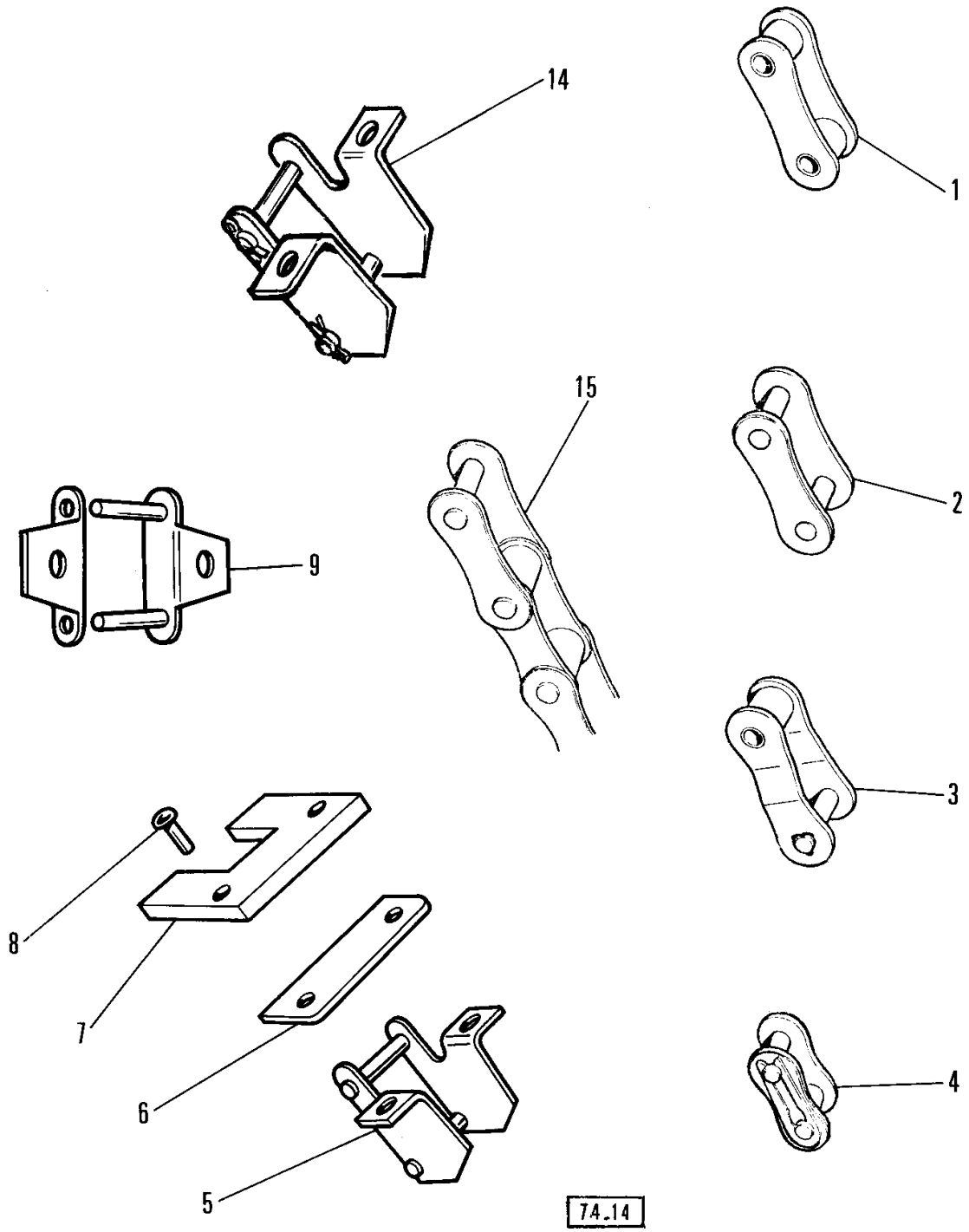
CHAINS

Item	Part Number	Qty	Description	Comments
	910149M3	1	Decal	IN GERMAN
	910545M2	1	Decal	IN SPANISH
	911255M1	1	Decal	IN ENGLISH
23	685302M2	1	Decal	IN FRENCH
	324312M2	1	Decal	IN GERMAN
	910540M1	1	Decal	IN SPANISH
	650109M3	1	Decal	IN ENGLISH
24	1615713M1	1	Decal	IN FRENCH
	1615773M1	1	Decal	IN GERMAN
	1615771M1	1	Decal	IN ENGLISH
	1615774M1	1	Decal	IN SPANISH
25	787834M2	1	Decal	
26	685731M1	1	Decal	IN FRENCH
	910153M2	1	Decal	IN GERMAN
	910543M1	1	Decal	IN SPANISH
	650419M1	1	Decal	IN ENGLISH
27	685732M1	1	Decal	IN FRENCH
	910498M1	1	Decal	IN GERMAN
	910533M1	1	Decal	IN SPANISH
	231450M1	1	Decal	IN ENGLISH
28	910628M1	1	Decal	IN FRENCH
	910651M1	1	Decal	IN GERMAN
	910652M1	1	Decal	IN SPANISH
	910629M1	1	Decal	IN ENGLISH
29	685727M1	1	Decal	IN FRENCH
	910187M1	1	Decal	IN GERMAN
	910542M1	1	Decal	IN SPANISH
	793197M1	1	Decal	IN ENGLISH
30	794409M1	1	Decal	IN FRENCH
	794410M2	1	Decal	IN GERMAN
	910537M1	1	Decal	IN SPANISH
	794408M1	1	Decal	IN ENGLISH
31	685728M2	4	Decal	IN FRENCH
	910186M1	4	Decal	IN GERMAN
	910541M1	4	Decal	IN SPANISH
	792272M1	4	Decal	IN ENGLISH
32	1616379M1	1	Decal	
33	795407M1	1	Decal	
34	685735M1	1	Decal	IN FRENCH
	910145M2	1	Decal	IN GERMAN
	910547M1	1	Decal	IN SPANISH
	650444M1	1	Label	IN ENGLISH
35	619231M1	1	Decal	Right Hand
	606759M1	1	Decal	
36	796501M1	1	Decal	IN FRENCH
	796500M1	1	Decal	IN GERMAN
	796499M1	1	Decal	IN SPANISH
	796498M1	1	Decal	IN ENGLISH
37	685302M2	1	Decal	IN FRENCH
	324312M1	1	Decal	IN GERMAN
	910540M1	1	Decal	IN SPANISH
	650109M3	1	Decal	IN ENGLISH
38	910527M1	1	Decal	IN FRENCH
	910633M1	1	Decal	IN GERMAN
	910554M1	1	Decal	IN SPANISH
	910634M1	1	Decal	IN ENGLISH
39	792189M1	1	Decal	IN FRENCH
	910146M1	1	Decal	IN GERMAN
	910532M1	1	Decal	IN SPANISH
	792215M1	1	Decal	IN ENGLISH
40	619593M1	1	Plate	
41	910974M1	1	Decal	IN FRENCH
	910976M1	1	Decal	IN GERMAN
	910977M1	1	Decal	IN SPANISH
	910975M1	1	Decal	IN ENGLISH
42	911458M1	1	Decal	
	3049599M1	1	Decal	
43	658020M1	1	Decal	IN FRENCH IN SPANISH IN ENGLISH

CHAINS

Item	Part Number	Qty	Description	Comments
44	685757M1	1	Decal	IN FRENCH
	794406M1	1	Decal	IN GERMAN
	910549M1	1	Decal	IN SPANISH
	794404M1	1	Decal	IN ENGLISH
45	1855134M1	1	Decal	IN FRENCH
	1855133M1	1	Decal	IN GERMAN
47	902888M2	1	Decal	IN FRENCH
			Decal	IN SPANISH
			Decal	IN ENGLISH
48	1855294M1	1	Decal	IN FRENCH
49	1615909M1	2	Emblem	
50	911137M1	1	Decal	IN FRENCH
	911138M1	1	Decal	IN ENGLISH
51	1616843M1	1	Decal	IN FRENCH
	1616845M1	1	Decal	IN GERMAN
	1616844M1	1	Decal	IN SPANISH
	1616841M1	1	Decal	IN ENGLISH
	360360X1	4	Screw	

CHAINES (DETAILS)
ROLLENKENTEN (ENZETEILE)
CADENAS (DETALLES)
CHAINS (DETAIL)



CHAINS

Item	Part Number	Qty	Description	Comments
	ppp 256			IN FRENCH IN GERMAN IN SPANISH IN ENGLISH
1	910581M1	1	Table	IN FRENCH
	910583M1	1	Decal	IN GERMAN
	910645M1	1	Table	IN SPANISH
	910582M1	1	Decal	IN ENGLISH
2	685759M1	1	Decal	IN FRENCH
	910147M1	1	Decal	IN GERMAN
	910548M1	1	Decal	IN SPANISH
	650462M1	1	Decal	IN ENGLISH
3	650462M1	1	Decal	IN ENGLISH
	910575M1	1	Decal	IN FRENCH
	910577M1	1	Decal	IN GERMAN
	910643M1	1	Decal	IN SPANISH
	910576M1	1	Decal	IN ENGLISH
4	910058M1	1	Plate	
5	910585M1	1	Decal	IN FRENCH
	910587M1	1	Decal	IN GERMAN
	910646M1	1	Decal	IN SPANISH
	910586M1	1	Decal	IN ENGLISH
6	619232M1	1	Decal	Left Hand
	606761M1	1	Decal	Left Hand
	1615913M1	2	Emblem	IN FRENCH
	1615951M1	2	Emblem	IN FRENCH
7	685728M2	1	Decal	IN FRENCH
	910186M1	1	Decal	IN GERMAN
	910541M1	1	Decal	IN SPANISH
	792272M1	1	Decal	IN ENGLISH
8	196369M1	1	Decal	
	1615911M1	2	Emblem	IN FRENCH
9	685728M2	1	Decal	IN FRENCH
	910186M1	1	Decal	IN GERMAN
	910541M1	1	Decal	IN SPANISH
	792272M1	1	Decal	IN ENGLISH
10	1615908M1	1	Emblem	
	606760M1	1	Emblem	
11	658132M1	1	Decal	
12	196369M1	1	Decal	
13	916583M1	1	Decal	IN FRENCH
	916584M1	1	Decal	IN ENGLISH
14	957736M2	1	Transfer	IN FRENCH
	910550M1	1	Transfer	IN SPANISH
15	619592M3	1	Plate	IN FRENCH
	619854M3	1	Plate	IN GERMAN IN SPANISH IN ENGLISH
16	1616843M1	1	Decal	IN FRENCH
	1616845M1	1	Decal	IN GERMAN
	1616244M1	1	Decal	IN SPANISH
	1616841M1	1	Decal	IN ENGLISH
17	911458M1	1	Decal	
18	910057M1	1	Decal	IN FRENCH
	910993M1	1	Decal	IN GERMAN
	910552M1	1	Decal	IN SPANISH
	910992M1	1	Decal	IN ENGLISH
19	795409M1	1	Transfer	IN FRENCH
	910185M2	1	Decal	IN GERMAN
	795410M1	1	Decal	IN SPANISH
	795092M1	1	Decal	IN ENGLISH
20	685738M1	1	Decal	IN FRENCH
	910144M2	1	Decal	IN GERMAN
	910535M1	1	Decal	IN SPANISH
	650443M1	1	Decal	IN ENGLISH
21	685739M1	1	Decal	IN FRENCH
	910140M1	1	Decal	IN GERMAN
	910533M1	1	Decal	IN SPANISH
	650421M1	1	Decal	IN ENGLISH
22	685730M2	1	Decal	IN FRENCH

CHAINS

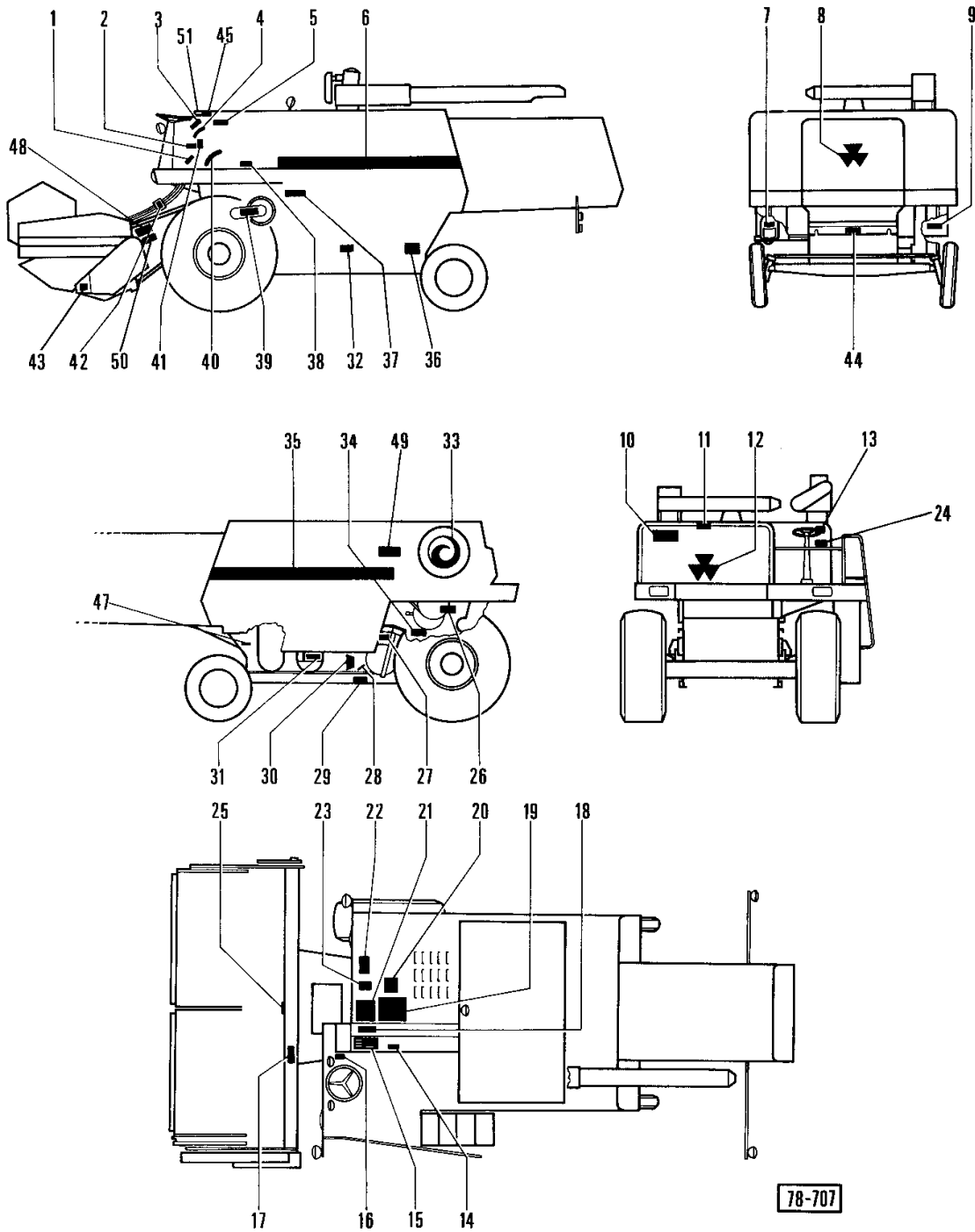
Item	Part Number	Qty	Description	Comments
	910149M3	1	Decal	IN GERMAN
	910545M2	1	Decal	IN SPANISH
	911255M1	1	Decal	IN ENGLISH
23	685302M2	1	Decal	IN FRENCH
	324312M2	1	Decal	IN GERMAN
	910540M1	1	Decal	IN SPANISH
	650109M3	1	Decal	IN ENGLISH
24	1615713M1	1	Decal	IN FRENCH
	1615773M1	1	Decal	IN GERMAN
	1615771M1	1	Decal	IN ENGLISH
	1615774M1	1	Decal	IN SPANISH
25	787834M2	1	Decal	
26	685731M1	1	Decal	IN FRENCH
	910153M2	1	Decal	IN GERMAN
	910543M1	1	Decal	IN SPANISH
	650419M1	1	Decal	IN ENGLISH
27	685732M1	1	Decal	IN FRENCH
	910498M1	1	Decal	IN GERMAN
	910533M1	1	Decal	IN SPANISH
	231450M1	1	Decal	IN ENGLISH
28	910628M1	1	Decal	IN FRENCH
	910651M1	1	Decal	IN GERMAN
	910652M1	1	Decal	IN SPANISH
	910629M1	1	Decal	IN ENGLISH
29	685727M1	1	Decal	IN FRENCH
	910187M1	1	Decal	IN GERMAN
	910542M1	1	Decal	IN SPANISH
	793197M1	1	Decal	IN ENGLISH
30	794409M1	1	Decal	IN FRENCH
	794410M2	1	Decal	IN GERMAN
	910537M1	1	Decal	IN SPANISH
	794408M1	1	Decal	IN ENGLISH
31	685728M2	4	Decal	IN FRENCH
	910186M1	4	Decal	IN GERMAN
	910541M1	4	Decal	IN SPANISH
	792272M1	4	Decal	IN ENGLISH
32	1616379M1	1	Decal	
33	795407M1	1	Decal	
34	685735M1	1	Decal	IN FRENCH
	910145M2	1	Decal	IN GERMAN
	910547M1	1	Decal	IN SPANISH
	650444M1	1	Label	IN ENGLISH
35	619231M1	1	Decal	Right Hand
	606759M1	1	Decal	
36	796501M1	1	Decal	IN FRENCH
	796500M1	1	Decal	IN GERMAN
	796499M1	1	Decal	IN SPANISH
	796498M1	1	Decal	IN ENGLISH
37	685302M2	1	Decal	IN FRENCH
	324312M1	1	Decal	IN GERMAN
	910540M1	1	Decal	IN SPANISH
	650109M3	1	Decal	IN ENGLISH
38	910527M1	1	Decal	IN FRENCH
	910633M1	1	Decal	IN GERMAN
	910554M1	1	Decal	IN SPANISH
	910634M1	1	Decal	IN ENGLISH
39	792189M1	1	Decal	IN FRENCH
	910146M1	1	Decal	IN GERMAN
	910532M1	1	Decal	IN SPANISH
	792215M1	1	Decal	IN ENGLISH
40	619593M1	1	Plate	
41	910974M1	1	Decal	IN FRENCH
	910976M1	1	Decal	IN GERMAN
	910977M1	1	Decal	IN SPANISH
	910975M1	1	Decal	IN ENGLISH
42	911458M1	1	Decal	
	3049599M1	1	Decal	
43	658020M1	1	Decal	IN FRENCH IN SPANISH IN ENGLISH

CHAINS

Item	Part Number	Qty	Description	Comments
44	685757M1	1	Decal	IN FRENCH
	794406M1	1	Decal	IN GERMAN
	910549M1	1	Decal	IN SPANISH
	794404M1	1	Decal	IN ENGLISH
45	1855134M1	1	Decal	IN FRENCH
	1855133M1	1	Decal	IN GERMAN
47	902888M2	1	Decal	IN FRENCH
				IN SPANISH
				IN ENGLISH
48	1855294M1	1	Decal	IN FRENCH
49	1615909M1	2	Emblem	
50	911137M1	1	Decal	IN FRENCH
	911138M1	1	Decal	IN ENGLISH
51	1616843M1	1	Decal	IN FRENCH
	1616845M1	1	Decal	IN GERMAN
	1616844M1	1	Decal	IN SPANISH
	1616841M1	1	Decal	IN ENGLISH
	360360X1	4	Screw	

256

DECALCOMANIES
 ABZIEHBILDER
 CALCOMANIA
 TRANSFERS



TRANSFERS-FRENCH - IN FRENCH

Item	Part Number	Qty	Description	Comments
				IN FRENCH
				IN GERMAN
				IN SPANISH
				IN ENGLISH
1	910581M1	1	Table	IN FRENCH
	910583M1	1	Decal	IN GERMAN
	910645M1	1	Table	IN SPANISH
	910582M1	1	Decal	IN ENGLISH
2	685759M1	1	Decal	IN FRENCH
	910147M1	1	Decal	IN GERMAN
	910548M1	1	Decal	IN SPANISH
	650462M1	1	Decal	IN ENGLISH
3	650462M1	1	Decal	IN ENGLISH
	910575M1	1	Decal	IN FRENCH
	910577M1	1	Decal	IN GERMAN
	910643M1	1	Decal	IN SPANISH
	910576M1	1	Decal	IN ENGLISH
4	910058M1	1	Plate	
5	910585M1	1	Decal	IN FRENCH
	910587M1	1	Decal	IN GERMAN
	910646M1	1	Decal	IN SPANISH
	910586M1	1	Decal	IN ENGLISH
6	619232M1	1	Decal	Left Hand
	606761M1	1	Decal	Left Hand
	1615913M1	2	Emblem	IN FRENCH
	1615951M1	2	Emblem	IN FRENCH
7	685728M2	1	Decal	IN FRENCH
	910186M1	1	Decal	IN GERMAN
	910541M1	1	Decal	IN SPANISH
	792272M1	1	Decal	IN ENGLISH
8	196369M1	1	Decal	
	1615911M1	2	Emblem	IN FRENCH
9	685728M2	1	Decal	IN FRENCH
	910186M1	1	Decal	IN GERMAN
	910541M1	1	Decal	IN SPANISH
	792272M1	1	Decal	IN ENGLISH
10	1615908M1	1	Emblem	
	606760M1	1	Emblem	
11	658132M1	1	Decal	
12	196369M1	1	Decal	
13	916583M1	1	Decal	IN FRENCH
	916584M1	1	Decal	IN ENGLISH
14	957736M2	1	Transfer	IN FRENCH
	910550M1	1	Transfer	IN SPANISH
15	619592M3	1	Plate	IN FRENCH
	619854M3	1	Plate	IN GERMAN
				IN SPANISH
				IN ENGLISH
16	1616843M1	1	Decal	IN FRENCH
	1616845M1	1	Decal	IN GERMAN
	1616244M1	1	Decal	IN SPANISH
	1616841M1	1	Decal	IN ENGLISH
17	911458M1	1	Decal	
18	910057M1	1	Decal	IN FRENCH
	910993M1	1	Decal	IN GERMAN
	910552M1	1	Decal	IN SPANISH
	910992M1	1	Decal	IN ENGLISH
19	795409M1	1	Transfer	IN FRENCH
	910185M2	1	Decal	IN GERMAN
	795410M1	1	Decal	IN SPANISH
	795092M1	1	Decal	IN ENGLISH
20	685738M1	1	Decal	IN FRENCH
	910144M2	1	Decal	IN GERMAN
	910535M1	1	Decal	IN SPANISH
	650443M1	1	Decal	IN ENGLISH
21	685739M1	1	Decal	IN FRENCH
	910140M1	1	Decal	IN GERMAN
	910533M1	1	Decal	IN SPANISH
	650421M1	1	Decal	IN ENGLISH
22	685730M2	1	Decal	IN FRENCH

TRANSFERS-FRENCH - IN FRENCH

Item	Part Number	Qty	Description	Comments
	910149M3	1	Decal	IN GERMAN
	910545M2	1	Decal	IN SPANISH
	911255M1	1	Decal	IN ENGLISH
23	685302M2	1	Decal	IN FRENCH
	324312M2	1	Decal	IN GERMAN
	910540M1	1	Decal	IN SPANISH
	650109M3	1	Decal	IN ENGLISH
24	1615713M1	1	Decal	IN FRENCH
	1615773M1	1	Decal	IN GERMAN
	1615771M1	1	Decal	IN ENGLISH
	1615774M1	1	Decal	IN SPANISH
25	787834M2	1	Decal	
26	685731M1	1	Decal	IN FRENCH
	910153M2	1	Decal	IN GERMAN
	910543M1	1	Decal	IN SPANISH
	650419M1	1	Decal	IN ENGLISH
27	685732M1	1	Decal	IN FRENCH
	910498M1	1	Decal	IN GERMAN
	910533M1	1	Decal	IN SPANISH
	231450M1	1	Decal	IN ENGLISH
28	910628M1	1	Decal	IN FRENCH
	910651M1	1	Decal	IN GERMAN
	910652M1	1	Decal	IN SPANISH
	910629M1	1	Decal	IN ENGLISH
29	685727M1	1	Decal	IN FRENCH
	910187M1	1	Decal	IN GERMAN
	910542M1	1	Decal	IN SPANISH
	793197M1	1	Decal	IN ENGLISH
30	794409M1	1	Decal	IN FRENCH
	794410M2	1	Decal	IN GERMAN
	910537M1	1	Decal	IN SPANISH
	794408M1	1	Decal	IN ENGLISH
31	685728M2	4	Decal	IN FRENCH
	910186M1	4	Decal	IN GERMAN
	910541M1	4	Decal	IN SPANISH
	792272M1	4	Decal	IN ENGLISH
32	1616379M1	1	Decal	
33	795407M1	1	Decal	
34	685735M1	1	Decal	IN FRENCH
	910145M2	1	Decal	IN GERMAN
	910547M1	1	Decal	IN SPANISH
	650444M1	1	Label	IN ENGLISH
35	619231M1	1	Decal	Right Hand
	606759M1	1	Decal	
36	796501M1	1	Decal	IN FRENCH
	796500M1	1	Decal	IN GERMAN
	796499M1	1	Decal	IN SPANISH
	796498M1	1	Decal	IN ENGLISH
37	685302M2	1	Decal	IN FRENCH
	324312M1	1	Decal	IN GERMAN
	910540M1	1	Decal	IN SPANISH
	650109M3	1	Decal	IN ENGLISH
38	910527M1	1	Decal	IN FRENCH
	910633M1	1	Decal	IN GERMAN
	910554M1	1	Decal	IN SPANISH
	910634M1	1	Decal	IN ENGLISH
39	792189M1	1	Decal	IN FRENCH
	910146M1	1	Decal	IN GERMAN
	910532M1	1	Decal	IN SPANISH
	792215M1	1	Decal	IN ENGLISH
40	619593M1	1	Plate	
41	910974M1	1	Decal	IN FRENCH
	910976M1	1	Decal	IN GERMAN
	910977M1	1	Decal	IN SPANISH
	910975M1	1	Decal	IN ENGLISH
42	911458M1	1	Decal	
	3049599M1	1	Decal	
43	658020M1	1	Decal	IN FRENCH IN SPANISH IN ENGLISH

**MASSEY FERGUSON
MF 520/525 COMBINES - 1646022**

1646022

256

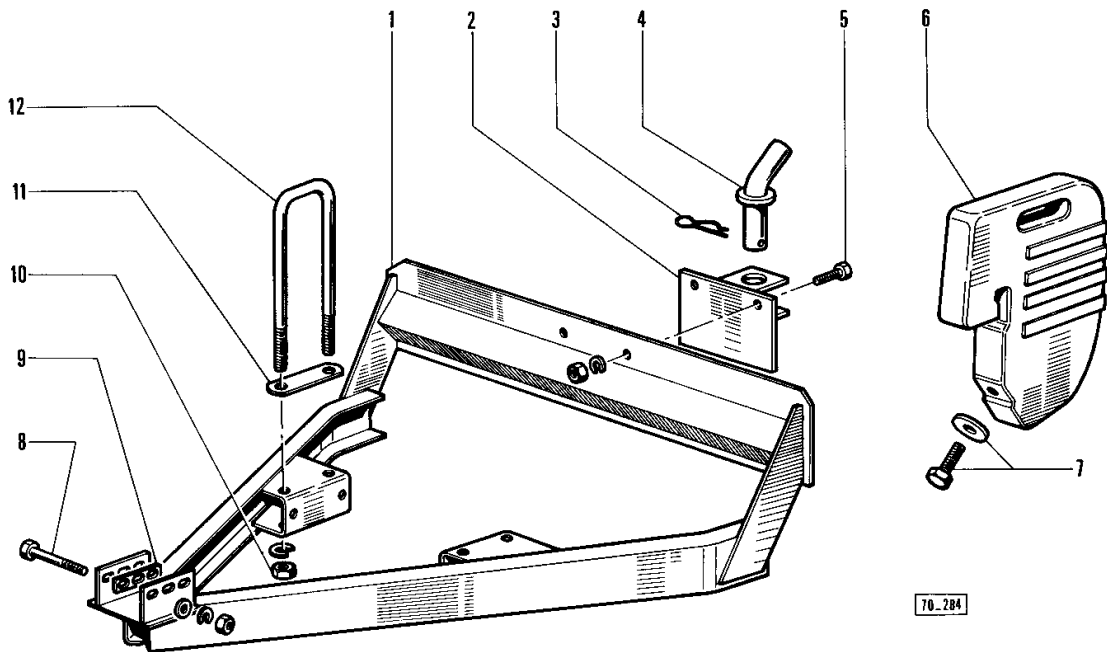
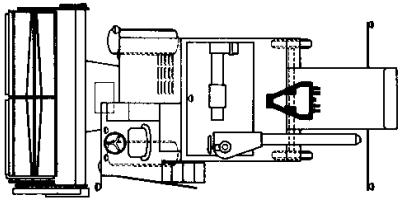
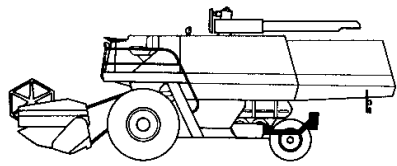
TRANSFERS-FRENCH - IN FRENCH

Item	Part Number	Qty	Description	Comments
44	685757M1	1	Decal	IN FRENCH
	794406M1	1	Decal	IN GERMAN
	910549M1	1	Decal	IN SPANISH
	794404M1	1	Decal	IN ENGLISH
45	1855134M1	1	Decal	IN FRENCH
	1855133M1	1	Decal	IN GERMAN
47	902888M2	1	Decal	IN FRENCH IN SPANISH IN ENGLISH
48	1855294M1	1	Decal	IN FRENCH
49	1615909M1	2	Emblem	
50	911137M1	1	Decal	IN FRENCH
	911138M1	1	Decal	IN ENGLISH
51	1616843M1	1	Decal	IN FRENCH
	1616845M1	1	Decal	IN GERMAN
	1616844M1	1	Decal	IN SPANISH
	1616841M1	1	Decal	IN ENGLISH
	360360X1	4	Screw	

264

REF.	N° PIECE	Qté
------	----------	-----

BATI PORTE MASSES	}	MAIS
RAHMEN - GEWICHTE		MAIS
ARMAZON - MASSO		MAIZ
FRAME - WEIGHT		MAIZE



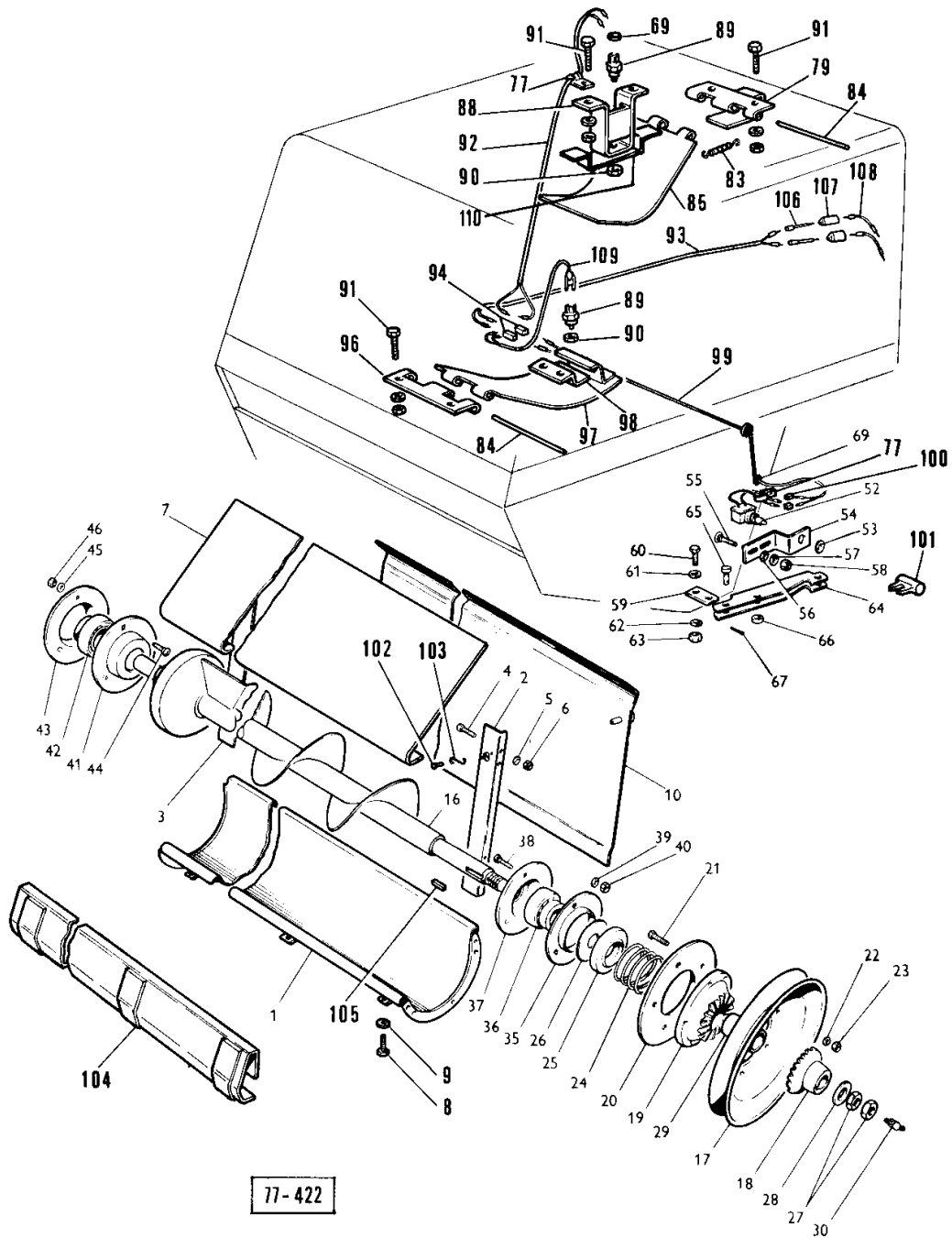
70_284

WEIGHT FRAME - MAIZE

Item	Part Number	Qty	Description	Comments
				MAIZE
1	911808M91	1	Frame	(B)
2	606797M91	1	Bracket	(A-B)
3	363792X1	1	Pin	(A)
4	606796M91	1	Pin	(A)
5	353597X1	2	Bolt Unf	(A)
	353439X1	2	Lock Washer	(A)
	353437X1	2	Nut Unf	(A)
6	898612M92	1	Weight	(B)
				INCL. REF. 6,7
	893555M2	1	Weight	
7	353901X1	1	Screw Unc	
	831985M1	1	Washer	
8	353653X1	2	Bolt Unf	(B)
	353760X1	2	Flat Washers	
	353433X1	2	Lock Washer	
	353427X1	2	Nut Unf	
9	606818M1	X	Plate	
10	353433X1	4	Lock Washer	(B)
	375099X1	4	Nut Unc	
11	914529M1	X	Shim	
12	911806M1	2	Clevis	(B)
				(A)
				TRAILER HITCH
				(B)
				EXCEPT GERMANY

REF.	N° PIECE	Qté
------	----------	-----

VIS SANS FIN ET EMBRAYAGE DE SECURITE }
 SCHNECKE UND VEBERLASTKUPPLUNG } MULTI - FLOW
 SINFIN Y EMBRAGUE }
 AUGER AND SLIP CLUTCH }



MASSEY FERGUSON

MF 520/525 COMBINES - 1646022

1646022

267

AUGER AND SLIP CLUTCH - MULTI-FLOW

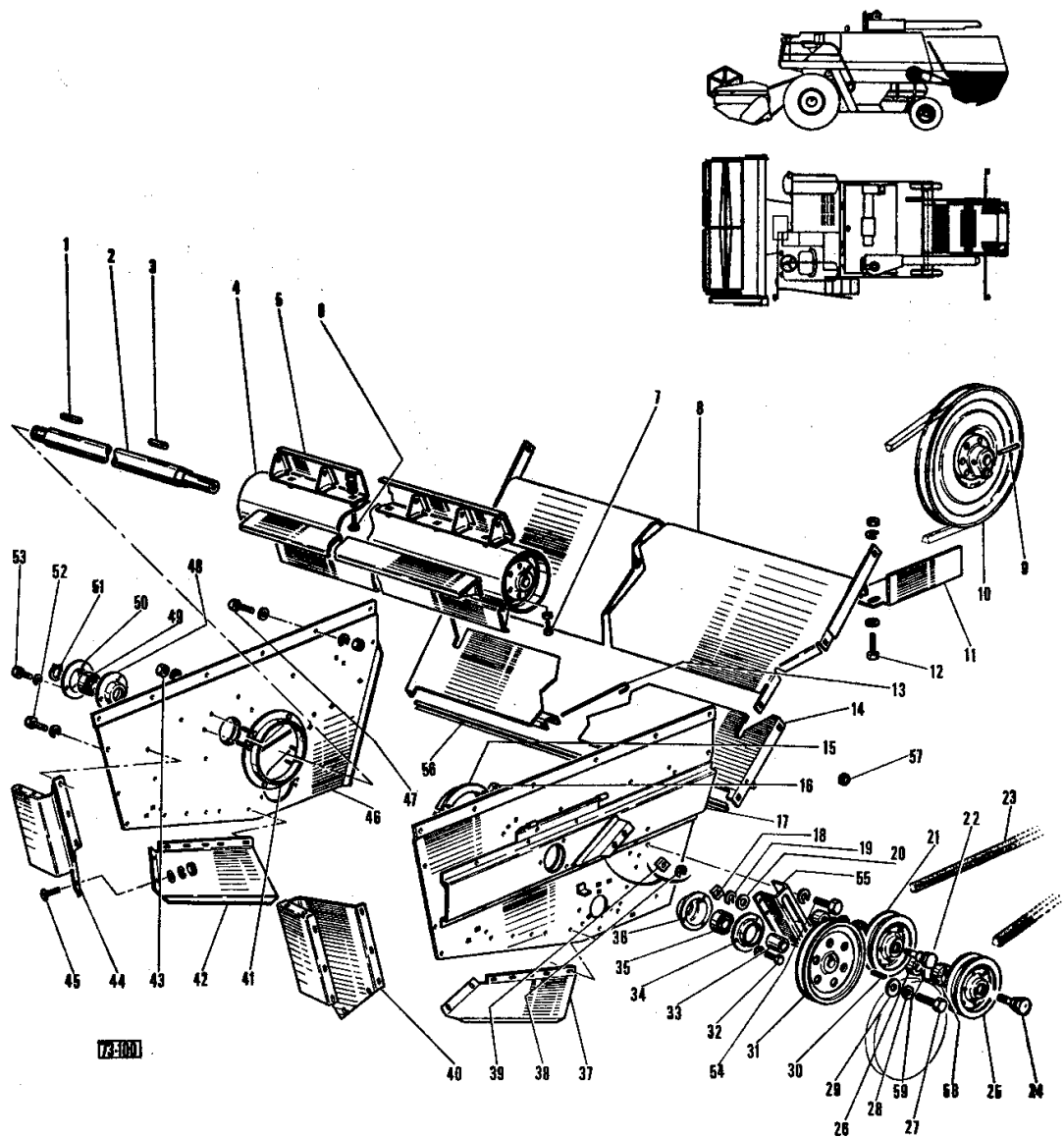
Item	Part Number	Qty	Description	Comments
				MULTI-FLOW
1	789047M92	1	Trough	
2	789064M91	1	Support	Right Hand
3	789062M91	1	Support	Left Hand
4	353517X1	4	Screw Unf	
5	353446X1	4	Lock Washer	
6	353916X1	4	Nut Unf	
7	1855338M91	1	Plate	
8	353519X1	2	Screw Unf	
9	353446X1	2	Lock Washer	
10	789055M91	1	Panel	
16	795724M92	1	Auger	
17	796334M91	1	Pulley	
18	913751M2	1	Coupling	
19	913782M92	1	Clutch	
20	228987M1	1	Plate	
21	353519X1	5	Screw Unf	
22	353446X1	5	Lock Washer	
23	353916X1	5	Nut Unf	
24	794933M1	1	Spring	
25	230239M1	1	Bearing	
26	230240M1	1	Washer	
27	353529X1	2	Bolt Unf	
28	353774X1	1	Washer	
29	795995M1	1	Bush	
30	364461X1	1	Nipple	
35	831834M1	1	Flange	
36	353134X1	1	Bearing Assy	
37	832525M1	1	Flange	
38	359038X1	3	Bolt Unf	
39	353446X1	3	Lock Washer	
40	353916X1	3	Nut Unf	
41	832525M1	1	Flange	
42	353134X1	1	Bearing Assy	
43	831834M1	1	Flange	
44	359038X1	1	Bolt Unf	
45	353446X1	3	Lock Washer	
46	353916X1	3	Nut Unf	
52	784697M91	1	Switch	
53	359404X1	1	Lock Washer	
54	794995M1	1	Bracket	
55	359998X1	2	Bolt Unf	
56	353755X1	2	Washer	
57	353446X1	2	Lock Washer	
58	353916X1	2	Nut Unf	
59	795755M1	1	Strap	
60	353517X1	1	Screw Unf	
61	353755X1	1	Washer	
62	353446X1	1	Lock Washer	
63	353916X1	1	Nut Unf	
64	795756M1	1	Lever	
65	832297M1	3	Clevis Pin	
66	360698X1	1	Spacer	
67	354039X1	3	Cotter	
69	210280M1	4	Grommet	
77	360031X1	2	Clip	
79	785919M92	2	Hinge	
83	659842M1	1	Spring	
84	785708M1	3	Rod	
85	914782M91	1	Flap	
88	785921M91	1	Bracket	
89	894837M1	2	Switch	(A)
	888501M2	2	Switch	(B)
90	377057X1	2	Nut	
91	353516X1	8	Screw Unf	
	353446X1	8	Lock Washer	
	353916X1	8	Nut Unf	
92	784464M91	1	Harness	(A)
	1615041M1	1	Harness	(B)
94	893012M1	2	Connector	

AUGER AND SLIP CLUTCH - MULTI-FLOW

Item	Part Number	Qty	Description	Comments
96	785919M92	1	Hinge	
97	789364M91	1	Flap	
98	787828M1	1	Bearer	
99	784467M91	1	Harness	
100	893013M1	2	Harness	
101	228644M1	1	Fork	
102	16892X	4	Rivet	
103	828224M1	2	Spring	
104	783505M92	1	Extension	
105	598528M1	1	Key	
106	606850M1	2	Wire	
107	893012M1	2	Connector	
108	911857M1	2	Wire	
109	784480M91	1	Harness	(A)
	1615040M1	1	Harness	(B)
110	914974M1	1	Bracket	(A) Up to Serial or Engine Number 15066 (B) From Serial or Engine Number 15067

TAMBOUR DEFLECTEUR ET COMMANDES }
 DRECHTROMMEL UND ANTRIEB } MULTI-FLOW
 CILINDRO Y MANDOS }
 CYLINDER AND DRIVES }

271



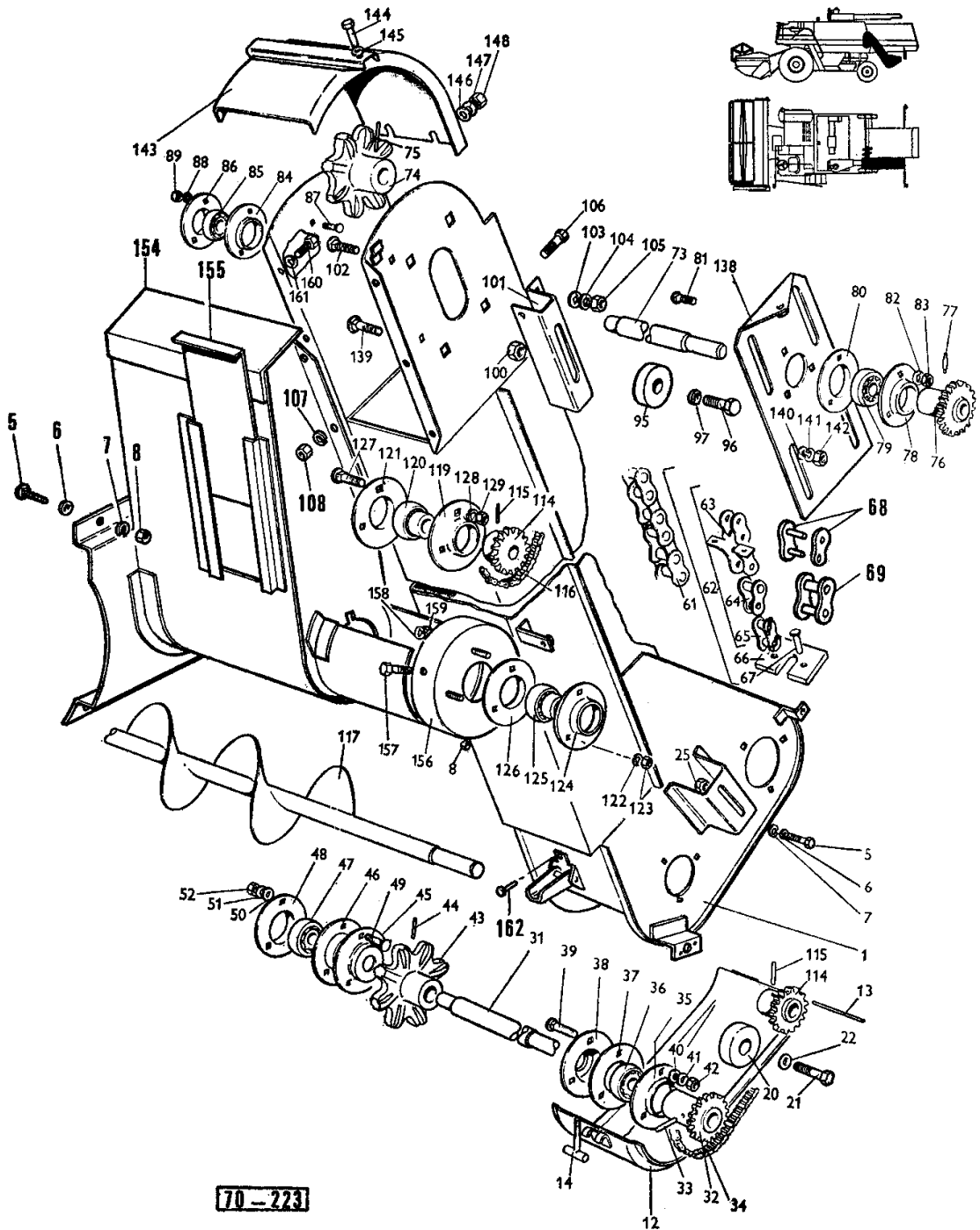
CYLINDER DRIVE - MULTI-FLOW

Item	Part Number	Qty	Description	Comments
				MULTI-FLOW
1	353186X1	1	Key Parallel	
2	789090M1	1	Shaft	
3	353186X1	1	Key Parallel	
4	785646M91	1	Cylinder	
5	789068M91	4	Vane	
6	353792X1	20	Bolt Unf	
	355802X1	20	Washer	
	353446X1	20	Lock Washer	
	353916X1	20	Nut Unf	
7	355204X1	1	Screw Unc	
	375108X1	1	Nut Unc	
8	789016M92	1	Separator	
9	377305X1	1	Pin	
10	795751M91	1	Pulley	
11	784163M91	1	Guard	
12	353501X1	2	Screw Unf	
	353755X1	4	Washer	
	353446X1	2	Lock Washer	
	353916X1	2	Nut Unf	
13	617965M1	98	Tine	
14	617947M91	1	Plate	
15	789081M91	2	Shield	
16	353916X1	4	Nut Unf	
17	789011M95	1	Panel	Right Hand
18	227974M1	1	Nut	
19	353433X1	1	Lock Washer	
20	353760X1	1	Flat Washers	
21	617746M91	1	Pulley	
	797378M91	1	Drive	INCL. REF. 18 TO 26,38,39
22	795549M1	1	Trunnion	
23	784170M1	1	Belt	
24	795549M1	1	Trunnion	
25	789471M1	1	Pulley	
26	789083M1	2	Spacer	
27	353609X1	1	Bolt	
28	359405X1	1	Washer	
29	795736M1	1	Washer	
30	659841M1	1	Key	
31	786692M1	1	Pulley	
32	353518X1	3	Screw Unf	
	353446X1	3	Lock Washer	
33	789441M1	1	Spacer	
34	789086M1	1	Flange	
35	831087M1	1	Bearing	
36	789085M1	1	Flange	
37	789095M2	1	Deflector	Right Hand
38	353433X1	1	Lock Washer	
39	227974M1	1	Nut	
40	783359M91	1	Deflector	Right Hand
41	789081M91	2	Shield	
42	789094M2	1	Deflector	Left Hand
43	353916X1	6	Nut Unf	
	353446X1	6	Lock Washer	
44	783358M91	1	Deflector	Left Hand
45	359998X1	6	Bolt Unf	
	353755X1	6	Washer	
	353446X1	6	Lock Washer	
	353916X1	6	Nut Unf	
	353917X1	5	Nut Unf	
46	789008M93	1	Panel	Left Hand
47	359038X1	X	Bolt Unf	
	353755X1	X	Washer	
	353446X1	X	Lock Washer	
	353916X1	X	Nut Unf	
48	789085M1	1	Flange	
49	831087M1	1	Bearing	
50	789086M1	1	Flange	
51	208221M1	1	Ring	

CYLINDER DRIVE - MULTI-FLOW

Item	Part Number	Qty	Description	Comments
52	353515X1	5	Screw Unf	
	353446X1	5	Lock Washer	
53	353518X1	3	Screw Unf	
	353446X1	3	Lock Washer	
54	353516X1	X	Screw Unf	
	353446X1	X	Lock Washer	
	353916X1	X	Nut Unf	
55	789092M1	1	Bracket	
56	617928M2	1	Beam	
57	377132X1	1	Grommet	
58	22258X	2	Bearing Assy	
59	208230M1	2	Ring	

ELEVATEUR A GRAINS }
 KORNERELEVATOR } MULTI-FLOW
 ELEVATOR DEL GRANO }
 GRAIN ELEVATOR }



GRAIN ELEVATOR - MULTI-FLOW

Item	Part Number	Qty	Description	Comments
1	788978M91	1	Elevator	MULTI-FLOW INCL. REF. 162
5	359038X1	3	Bolt Unf	
6	353755X1	3	Washer	
7	353446X1	3	Lock Washer	
8	353916X1	3	Nut Unf	
12	796362M91	1	Bottom	
13	796352M1	1	Pin	
14	230882M91	1	Latch	
20	243346M1	1	Roller	
21	353565X1	1	Bolt Unf	
22	353757X1	1	Washer	
25	226797M1	1	Nut	
31	796517M1	1	Shaft	
32	796274M91	1	Pinion	Number of teeth/spines 17
33	360227X1	1	Pin	
34	785216M91	1	Chain	
35	226632X1	1	Flange	
36	353152X1	1	Bearing	
37	226632X1	1	Flange	
38	796353M1	1	Shield	
39	354484X1	3	Bolt Unf	
40	353755X1	3	Washer	
41	353446X1	3	Lock Washer	
42	353916X1	3	Nut Unf	
43	794445M1	1	Sprocket	Number of teeth/spines 8
44	10210X	1	Pin	
45	796353M1	1	Shield	
46	226632X1	1	Flange	
47	353152X1	1	Bearing	
48	226632X1	1	Flange	
49	354484X1	3	Bolt Unf	
50	353755X1	3	Washer	
51	353446X1	3	Lock Washer	
52	353916X1	3	Nut Unf	
61	788998M91	1	Chain	INCL. REF. 62,66,67
62	788999M1	1	Chain	INCL. REF. 63 TO 65,68,69 (A)
63	329244M91	X	Link	
64	329798M92	X	Link	
65	329797M91	X	Connecting Link	
66	794391M2	21	Paddle	
67	832662M1	42	Rivet	
68	329195M91	X	Link	
69	329176M91	X	Link	
73	794956M1	1	Shaft	
74	794445M1	1	Sprocket	Number of teeth/spines 8
75	10210X	1	Pin	
76	794957M91	1	Pinion	Number of teeth/spines 19
77	49372X	1	Pin	
78	226632X1	1	Flange	
79	353152X1	1	Bearing	
80	226632X1	1	Flange	
81	355727X1	3	Bolt Unf	
82	353446X1	3	Lock Washer	
83	353916X1	3	Nut Unf	
84	226632X1	1	Flange	
85	353152X1	1	Bearing	
86	226632X1	1	Flange	
87	355727X1	3	Bolt Unf	
88	353446X1	3	Lock Washer	
89	353916X1	3	Nut Unf	
95	243346M1	1	Roller	
96	353565X1	1	Bolt Unf	
97	353757X1	1	Washer	
100	226797M1	1	Nut	
101	796464M1	1	Bracket	
102	354484X1	2	Bolt Unf	
103	355802X1	2	Washer	

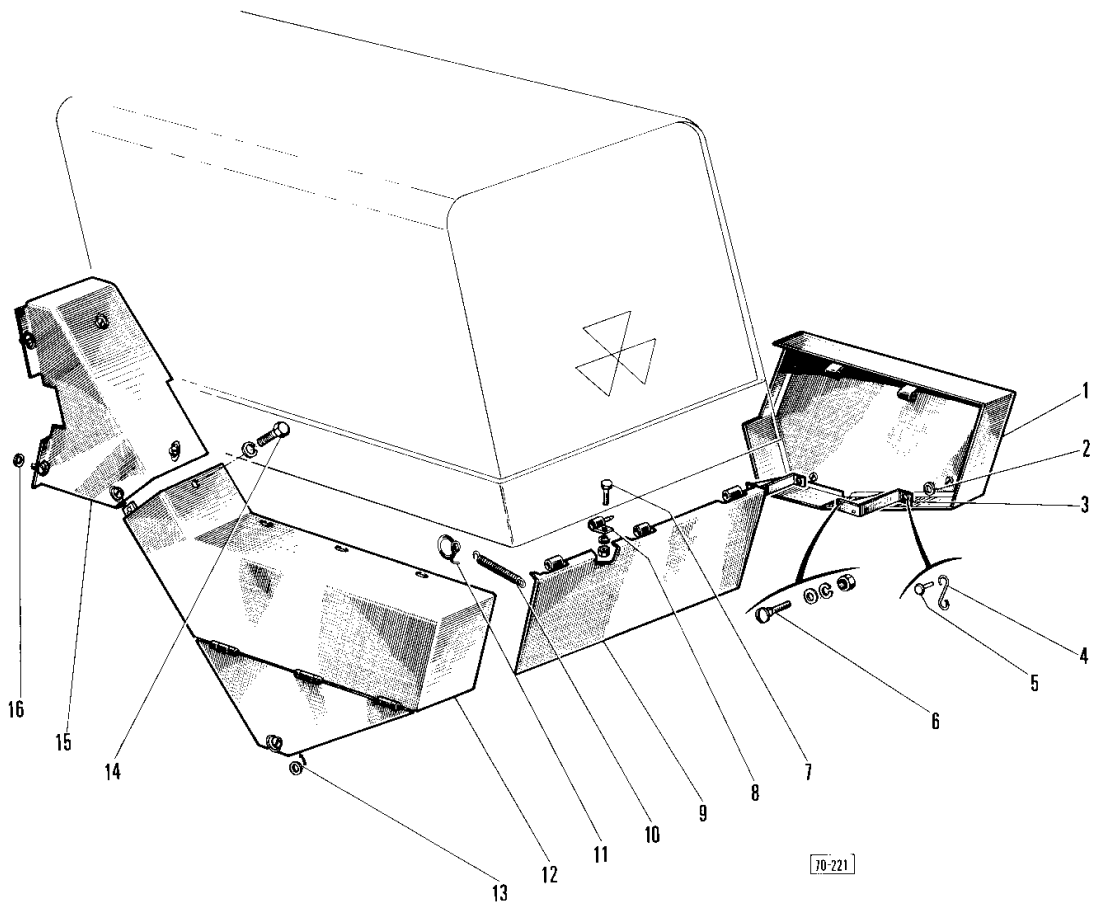
GRAIN ELEVATOR - MULTI-FLOW

Item	Part Number	Qty	Description	Comments
104	353446X1	2	Lock Washer	
105	353916X1	2	Nut Unf	
106	353516X1	3	Screw Unf	
107	353446X1	3	Lock Washer	
108	353916X1	3	Nut Unf	
114	222086M91	2	Pinion	Number of teeth/spines 15
115	360227X1	1	Pin	
116	234941M91	1	Chain	
117	795674M92	1	Screw	
119	226632X1	1	Flange	
120	353152X1	1	Bearing	
121	226632X1	1	Flange	
122	353446X1	3	Lock Washer	
123	353916X1	3	Nut Unf	
124	226632X1	1	Flange	
125	353152X1	1	Bearing	
126	226632X1	1	Flange	
127	353791X1	3	Bolt Unf	
128	353446X1	3	Lock Washer	
129	353916X1	3	Nut Unf	
138	228985M91	2	Plate	
139	354484X1	8	Bolt Unf	
140	353755X1	8	Washer	
141	353446X1	8	Lock Washer	
142	353916X1	8	Nut Unf	
143	793768M91	1	Cap	
144	831641M1	2	Bolt	
145	353757X1	2	Washer	
146	353446X1	2	Lock Washer	
147	353755X1	2	Washer	
148	353916X1	2	Nut Unf	
154	788990M91	1	Tube	
155	789426M1	1	Door	
156	795677M91	1	Cap	
157	353515X1	3	Screw Unf	
158	353446X1	3	Lock Washer	
159	353916X1	3	Nut Unf	
160	353515X1	3	Screw Unf	
161	353446X1	3	Lock Washer	
162	12948X	2	Rivet	

(A)
86 PITCHES

GARANTS
SCHUTZBLECH
DEFENSAS
GUARDS

} MULTI FLOW



MASSEY FERGUSON**MF 520/525 COMBINES - 1646022**

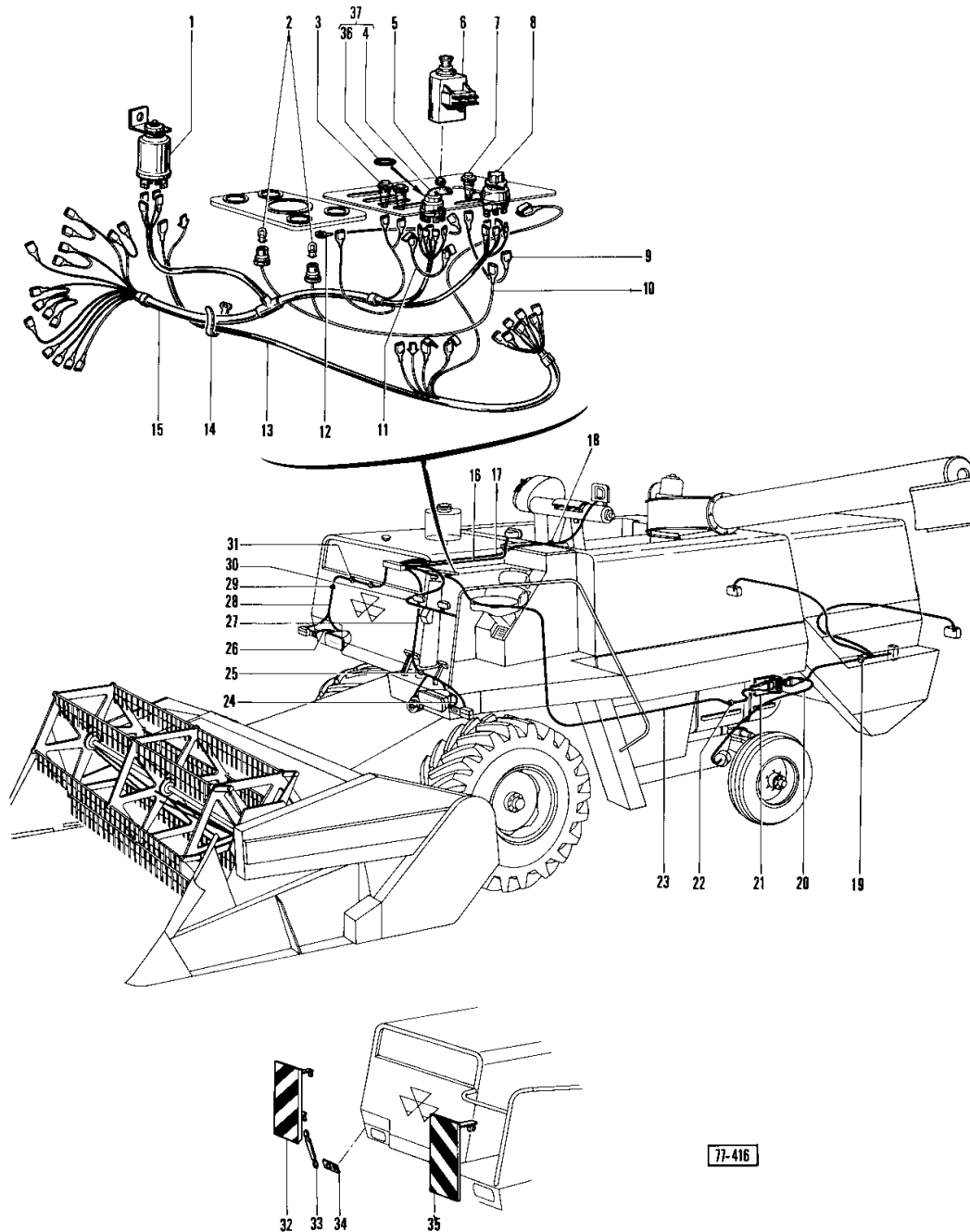
1646022

279

GUARDS-TRANSMISSION - MULTI-FLOW

Item	Part Number	Qty	Description	Comments
				MULTI-FLOW
1	789454M91	1	Kit, Guard	INCL. REF. 2
2	788392M1	2	Washer	
3	789801M91	2	Bracket	INCL. REF. 4,5
4	828224M1	2	Spring	
5	16892X	4	Rivet	
6	359038X1		Bolt Unf	
	353755X1	4	Washer	
	353446X1	4	Lock Washer	
	353916X1	4	Nut Unf	
7	353515X1	3	Screw Unf	
	353446X1	3	Lock Washer	
	353916X1	3	Nut Unf	
8	784242M91	3	Hinge	
9	784237M93	1	Panel	
10	175045M1	2	Spring	
11	354066X1	2	Pin	
12	789463M91	1	Guard	INCL. REF.13
13	788392M1	1	Washer	
14	353515X1	1	Screw Unf	
	353446X1	1	Lock Washer	
15	789464M92	1	Guard	INCL. REF. 16
16	788392M1	5	Washer	

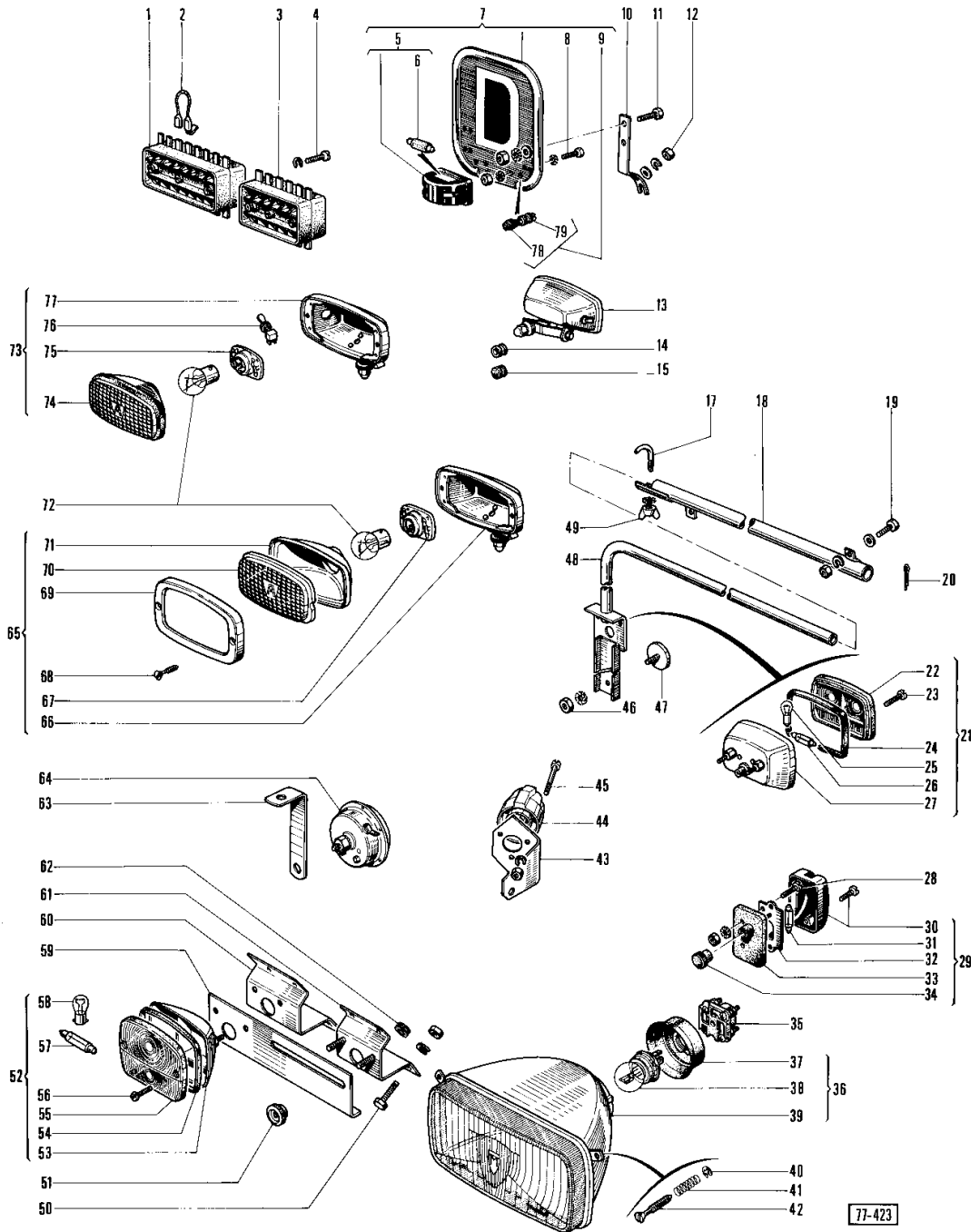
ECLAIRAGE
 BELEUCHTUNG
 ALUMBRADO
 LIGHTING



LIGHTING

Item	Part Number	Qty	Description	Comments
1	1808478M1	1	Blinker	(B)
	1617401M1	1	Relay	(C)
	903078M1	1	Earth Strap	(C)
2	908597M1	2	Bulb	
3	907175M92	2	Warning	INCL. REF. 3
	907176M1	2	Light	
	907867M1	2	Bulb	
4	881670M1	1	Switch	
5	793115M1	1	Plug	
6	908267M2	1	Switch	(A-B)
	1604409M1	1	Switch	(C)
7	907177M92	1	Warning	INCL. REF. 7
	907178M1	1	Light	
	907867M1	1	Bulb	
8	963757M2	1	Switch	
9	619531M1	1	Wire	
10	619615M2	1	Light	
11	606916M1	1	Wire	(A-B)
12	962677M1	1	Cable	
13	617809M1	1	Harness	(A-B)
14	613502M1	1	Clip	
15	619523M1	1	Harness	(B)
	1616155M1	1	Harness	(C)
16	619529M2	1	Wire	
17	619530M1	1	Wire	
18	405912M1	5	Clamp	
19	612494M1	1	Grommet	
20	606987M1	1	Harness	
21	907517M1	1	Bracket	
22	623605M1	1	Clip	
23	619525M1	1	Harness	
24	619532M1	1	Wire	
25	613502M1	1	Clip	
26	619532M1	1	Wire	
27	619527M3	1	Harness	
28	619524M3	1	Harness	
29	950235M1	2	Strap	
30	619528M2	1	Harness	
31	963513M1	2	Box	
32	617493M2	1	Plate	Right Hand (A)
33	902887M2	1	Support	(A)
34	617497M1		Bracket	(A)
35	606997M91	1	Plate	Left Hand (A)
36	1604665M1	1	Washer	
37	1604866M91	1	Kit	(A) GERMANY (B) From Serial or Engine Number 16388 (C) Up to Serial or Engine Number 16389

PHARES ET FEUX ROUGES
 SCHEINWERFER UND BLINKLEUCHTE
 FAROS Y LUCES DE LANTEROS Y TRACEROS
 HEAD LAMPS AND LAMPS



HEAD LAMPS AND TAIL LAMPS

Item	Part Number	Qty	Description	Comments
1	619224M1	1	Fuse Box	(F)
	1616154M1	1	Fuse Box	(G)
2	606820M1	1	Cable	(F)
3	907234M1	1	Box	(F)
4	375405X1	2	Screw	(F)
	353445X1	2	Lock Washer	(F)
	391294X1	2	Screw Metric	(G)
	339381X1	2	Lock Washer	(G)
	390995X1	2	Nut Metric	(G)
5	960851M91	2	Light	(A)
	960844M1	2	Light	(A)
6	950831M1	2	Bulb	(A)
7	1602237M94	1	Plate	(A)
				Right Hand
	1602238M2	1	Panel	(A)
				Right Hand
8	390962X1	2	Screw Metric	(A)
	14731X	4	Washer	
	390995X1	2	Nut Metric	
9	1604202M91	1	Relay	(A)
10	904261M1	2	Bracket	(A)
11	391974X1	4	Screw Metric	(A)
	391023X1	4	Washer	(A)
	353755X1	4	Washer	(A)
	390995X1	4	Nut Metric	(A)
12	353916X1	4	Nut Unf	(A)
	353755X1	4	Washer	(A)
	353446X1	4	Lock Washer	(A)
13	908790M92	1	Rear Lamp	INCL. REF. 72 TO 77
	908789M2	1	Rear Lamp	INCL. REF. 74 TO 77
14	322825M1	2	Grommet	
15	828790M2	2	Plug	(B)
17	617706M1	2	Clip	
18	606972M92	1	Tube	Right Hand
	606973M92	1	Tube	Left Hand
19	353516X1	4	Screw Unf	
	353755X1	4	Washer	
	353446X1	4	Lock Washer	
	353916X1	4	Nut Unf	
20	354050X1	2	Pin	
21	621241M91	1	Light	Right Hand
				(D)
				INCL. REF. 22 TO 27
	619414M91	1	Light	Left Hand
				(D)
				INCL. REF. 22 TO 27
	621240M1	2	Clip	(D)
				INCL. REF.
				22,23,24,27
	1604185M91	2	Lamp	(E)
				INCL. REF. 25-26 AND
				1604184M1
	1604184M1	2	Light	(E)
22	1807201M1	2	Headlamp	
23	1806421M1	4	Screw	
24	1806422M1	2	Gasket	
25	621235M1	2	Bulb 21w Side	
26	621234M1	2	Bulb 5w Festoon	
27	1807202M1	2	Body	
28	390962X1	2	Screw Metric	(A)
	14731X	2	Washer	(A)
	36131X	2	Nut	(A)
29	960852M91	1	N/Plate Lamp	(A)
	960845M1	1	N/Plate Lamp	(A)
				INCL. REF. 30,32 TO
				34
30	1805057M1	1	Glass	(A)
31	950831M1	1	Bulb	(A)
32	1805062M1	1	Plate	(A)
33	1805058M1	1	Gasket	(A)

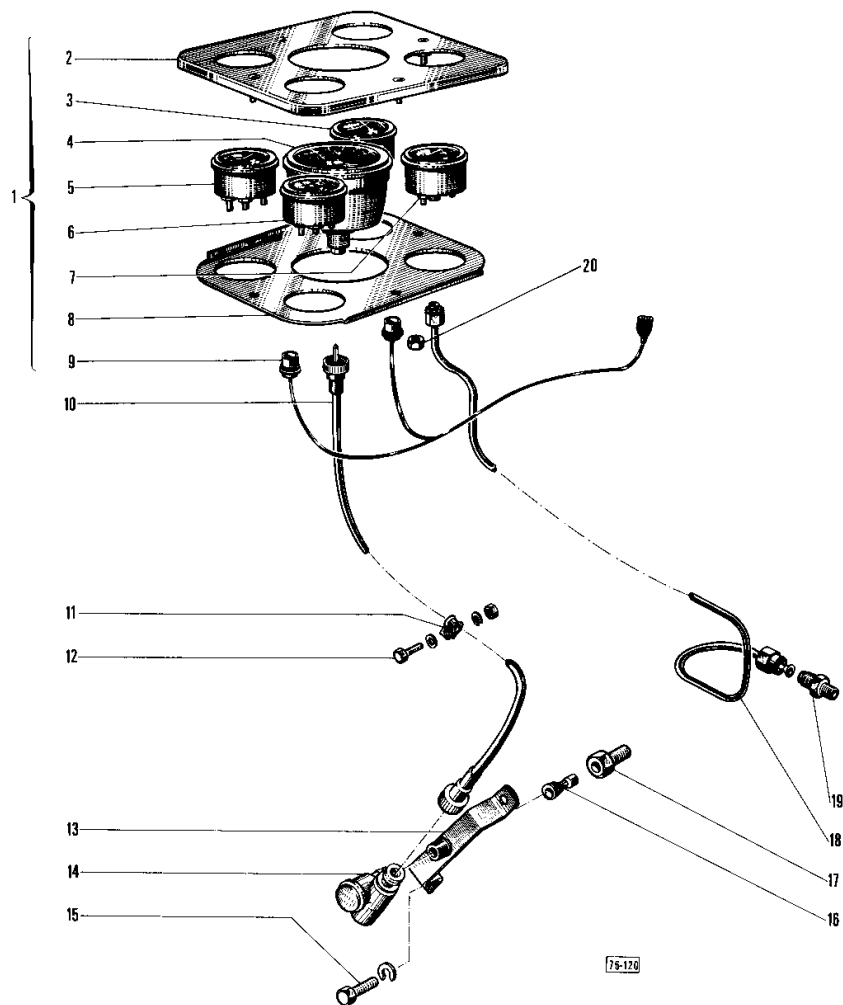
HEAD LAMPS AND TAIL LAMPS

Item	Part Number	Qty	Description	Comments
34	1800065M1	1	Cap	(A)
35	1801848M1	2	Bush	
36	619560M91	2	Holder	INCL. REF. 37 TO 39
	619562M91	2	Holder	(C) INCL. REF. 37,38,39
37	962733M1	1	Boot	
38	965465M1	1	Bulb H/L 45/40w	
	961866M1	1	Bulb H/L 45/40w	(C)
39	619561M1	1	Body	
40	963442M1	3	Circlip	
41	963441M1	3	Spring	
42	963440M1	3	Screw	
43	619573M1	1	Bracket	
44	409965M1	1	Socket 7 Pin Sup	
45	357450X1	3	Screw Unc	
	353445X1	3	Lock Washer	
	354120X1	3	Nut	
46	390995X1	2	Nut Metric	
	391023X1	2	Washer	
47	416085M1	2	Reflector	(A)
	962421M2	2	Reflector	(C)
48	606970M92	1	Bearer	Right Hand
	1616013M1	1	Bracket	(C) Right Hand
	606971M92	1	Bracket	Left Hand
	1616014M1	1	Bracket	(C) Left Hand
49	339106X1	2	Nut Metric	
	391025X1	2	Lock Washer	
50	353502X1	8	Screw Unf	
	353441X1	8	Lock Washer	
	353918X1	8	Nut Unf	
51	960970M1	4	Nut	
52	619413M91	2	Lamp	INCL. REF. 53 TO 58
	621236M1	2	Flasher	INCL. REF. 53 TO 56
53	1806420M1	1	Body	
54	1806422M1	1	Gasket	
55	1806417M1	1	Lens	
56	1806421M1	2	Screw	
57	621234M1	1	Bulb 5w Festoon	
58	621235M1	1	Bulb 21w Side	
59	621982M1	1	Bracket	(A) Right Hand
	606905M1	1	Bracket	(A) Left Hand
60	617498M1	1	Bracket	(C) Right Hand
	617499M1	1	Bracket	(C) Left Hand
61	606903M91	1	Bracket	(A) Right Hand
	606904M91	1	Bearer	(A) Left Hand
62	1803494M1	2	Grommet	
63	656632M3	1	Bracket	
64	621219M2	1	Horn	
65	619415M2	1	Rear Lamp	INCL. REF. 66 TO 71
	619459M92	1	Lamp	INCL. REF. 66 TO 72
66	1806428M1	1	Reflector	
67	1806426M1	1	Clamp	
68	1806429M1	2	Screw	
69	1807200M1	1	Bezel	
70	1806423M1	1	Window	
71	1806424M1	1	Reflector	
72	950832M1	1	Bulb P/Lamp	
73	908789M2	1	Rear Lamp	INCL. REF. 74 TO 77
	908790M92	1	Rear Lamp	INCL. REF. 72 TO 77
74	1806775M1	1	Insert	
75	1806779M1	1	Socket	
76	1806777M1	1	Switch	

HEAD LAMPS AND TAIL LAMPS

Item	Part Number	Qty	Description	Comments
77	1806776M1	1	Housing	
78	609660M1	1	Switch	
79	1604203M1	1	Bolt	
				(A) EXCEPT GERMANY
				(B) WITHOUT EQUIPMENT
				(C) FOR GERMANY
				(D) Up to Serial or Engine Number 15191
				(E) From Serial or Engine Number 15192
				(F) Up to Serial or Engine Number 16388
				(G) From Serial or Engine Number 16389

TABLEAU DE BORD
SCHALTBRETT
TABLERO DE INSTRUMENTOS
INSTRUMENT PANEL



INSTRUMENT PANEL

Item	Part Number	Qty	Description	Comments
1	619227M91	1	Instrument Panel	INCL. REF. 2 TO 9
2	1807212M1	1	Board	
3	962399M1	1	Indicator	
4	1805124M1	1	Rev Indicator	
5	963412M1	1	Gauge	
6	969608M1	1	Water Cooler	
7	969609M1	1	Manometer	
8	1805126M1	1	Plate	
9	619615M1	1	Light	
10	619549M1	1	Hydr Hose	
11	22712X	1	Clamp	
12	353502X1	1	Screw Unf	
	353754X1	1	Washer	
	353441X1	1	Lock Washer	
	353918X1	1	Nut Unf	
13	248360M91	1	Bearer	
14	236484M92	1	Drive	
15	353517X1	2	Screw Unf	
	353446X1	2	Lock Washer	
16	236483M1	1	Bush	
17	248362M1	1	Adaptor	
18	619900M92	1	Tube	
19	356243X1	1	Union	
20	390995X1	2	Nut Metric	

IMAGE NOT AVAILABLE

TOOL OUTFIT

Part Number	Qty	Description	Comments
353491X1	1	Spanner	3/32
19999X	1	Wrench	1/8
352953X1	1	Wrench	4 MM.
200936M1	1	Spanner	
911818M1	1	Wrench	(A)
			3/8 X 7/16
911819M1	1	Wrench	(A)
			1/2 X 13/32
911820M1	1	Wrench	(A)
			9/16 X 5/8
911821M1	1	Wrench	(A)
			13/16 X 7/8
911822M1	1	Wrench	(A)
			31/32 X 1"1/16
911823M1	1	Wrench	(A)
			5/8 X 3/4
911824M1	1	Wrench	(A)
			5/16 X 1/4
911825M1	1	Wrench	(A)
			1" X 1"1/4
911839M1	1	Wrench	(A)
			25/32 X 11/16
610917M1	1	Pin	(A)
			Diameter 4 MM
911826M1	1	Combi Pliers	(A)
911827M1	1	Hammer	(A)
911828M1	1	Box Spanner	(A)
			Diameter 19 MM
240401M91	1	Wrench	
610921M1	1	Punch	
794753M91	1	Extension	
793194M1	1	Wrench	1/4"
1603181M91	1	Gun	
911646M1	1	Screwdriver	
913871M1	1	Wrench	
			(A)
			GERMANY







